

BOOM MOWERS



BOOM MOWERS





SPECIALISTS IN LANDSCAPE MAINTENANCE

GreenTec is a Danish company specialized in machines for the maintenance of green areas. Our products are based on more than 30 years of experience in the field.

We are proud to present our Spider and Scorpion boom mower series, which contain many innovative solutions that provide environmentally and economically benefits for the user while increasing the driving experience and road safety.

All our machines have been developed in a simple, functional, production-friendly and sustainable design. They are manufactured at our factory in Denmark.



CONTENTS

Specifications	4
Scorpion boom mowers.	6
Scorpion model differences	12
Scorpion features.	13
Scorpion 4-series.	16
Scorpion 6-series.	18
Scorpion 8-series.	20
Scorpion 4-series - Basic Front	22
Scorpion 6-series - Basic Front	24
Attachment tools for Scorpion	26
Spider boom mowers	28
Spider 6-series.	34
Spider 8-series.	36
Attachment tools for Spider	38



OUR WARRANTY

GreenTec provides a 2-year warranty on all machines. See more on our website: www.greentec.eu

SCORPION - ADAPTED TO YOUR NEEDS

GreenTec offers 3 series of boom mowers in 18 different models. The Scorpion series has horizontal reaches from 3.3 to 8.3 m and provides innovative solutions that benefit the driving experience, road safety and increase the work capacity which leads to a better economy.



SPIDER - 270 DEGREES WORKING AREA!

A newly developed concept makes it possible to mow on both sides of the tractor and at the same time bring the cutting head forward into the driver's field of vision. The Spider is available in 4 sizes from 5.2 to 8.2 m and 6 models, two of which are front mounted.

NEWS



SCORPION SPECIFICATIONS



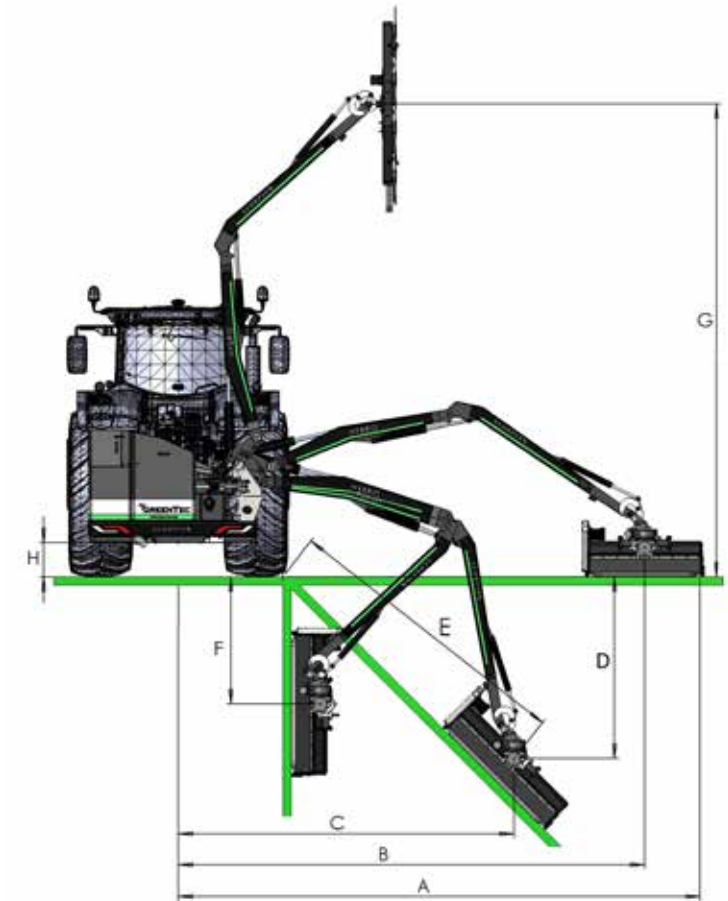
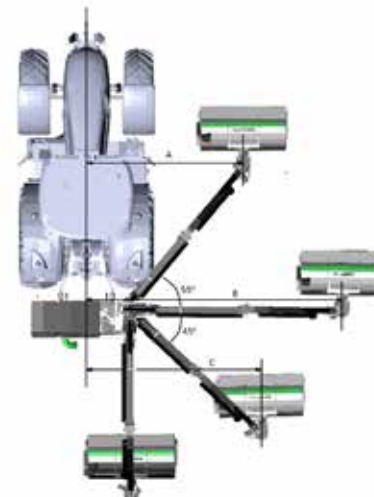
SCORPION	330-4 S	430-4 S	330-4 PLUS	430-4 PLUS	530-6 S	630-6 S	530-6 PLUS	630-6 PLUS	730-8 S	830-8 S	730-8 PLUS	830-8 PLUS
Horizontal reach (m)	3.3	4.3	3.3	4.3	5.3	6.3	5.3	6.3	7.3	8.3	7.3	8.3
Vertical reach (m)	3.1	4.1	3.1	4.1	5.1	6.1	5.1	6.1	7.1	8.1	7.1	8.1
Transport width (m)	1.8	2.2	1.8	2.2	2.2	2.2	2.2	2.2	2.4	2.5	2.4	2.5
Mounting	F/B/R	F/B/R	F/B/R	F/B/R	B	B	B	B	B	B	B	B
Hydraulic system	52 l/min @ 210 bar		52 l/min @ 210 bar		115 l/min @ 230 bar		125 l/min @ 315 bar		115 l/min @ 230 bar		125 l/min @ 315 bar	
Minimum size of tractor (kg)	1,500	2,000	1,650	2,200	4,000	5,000	4,000	5,000	7,000	8,000	7,000	8,000
Weight (kg)	570	590	610	630	1,235	1,270	1,370	1,395	1,475	1,505	1,600	1,630

Mounting: F = Front mounted, B = Rear mounted, R = Reverse mounted



SCORPION - BASIC FRONT	330-4 S	430-4 S	330-4 PLUS	430-4 PLUS	530-6 S	630-6 S
Horizontal reach (m)	3.3	4.3	3.3	4.3	5.3	6.3
Vertical reach (m)	3.1	4.1	3.1	4.1	5.1	6.1
Transport width (m)	1.8	2.2	1.8	2.2	2.2	2.2
Mounting	F	F	F	F	F	F
Hydraulic system	52 l/min @ 210 bar		52 l/min @ 210 bar		115 l/min @ 230 bar	
Minimum size of vehicle (kg)	2,250	3,000	2,250	3,000	5,000	6,000
Weight (kg)	500	520	540	560	985	1,020

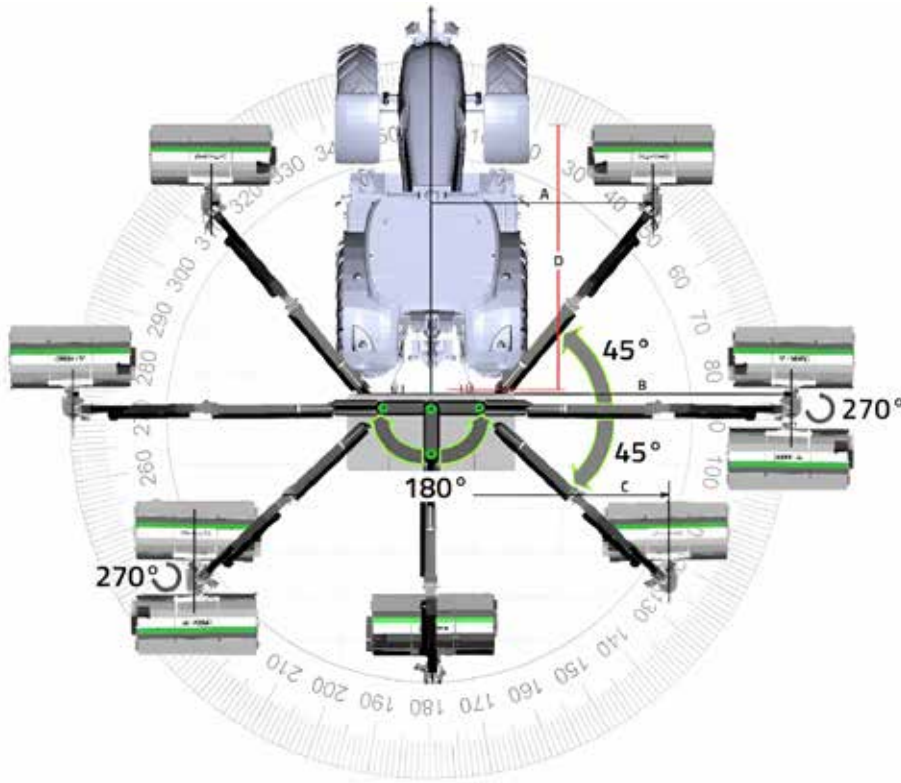
SCORPION	330	430	530	630	730	830
A (m)	3.3	4.3	5.3	6.3	7.3	8.3
B (m)	2.9	3.9	4.7	5.7	6.7	7.7
C (m)	1.9	2.6	3.4	4.1	4.8	5.6
D (m)	0.8	0.9	1.8	2.2	2.6	3.1
E (m)	1.9	2.6	3.0	3.7	4.4	5.0
F (m)	0.8	1.2	1.5	1.8	2.2	2.6
G (m)	3.1	4.1	5.1	6.1	7.1	8.1
H (m)	0.4	0.4	0.4	0.4	0.4	0.4



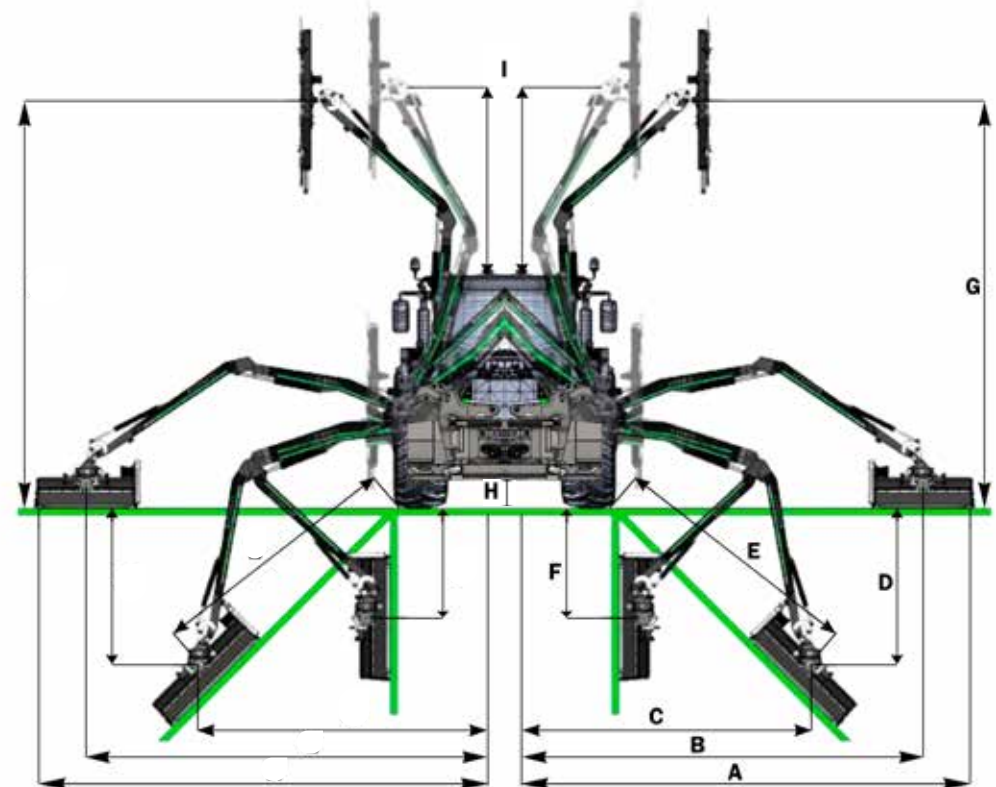
SPIDER SPECIFICATIONS

SPIDER	520 PLUS	620 PLUS	720 PLUS	820 PLUS
Horizontal reach (m)	5.2	6.2	7.2	8.2
Vertical reach (m)	5.1	6.1	7.1	8.1
Transport width (m)	2.2	2.2	2.4	2.4
Mounting	F/B/R	F/B/R	B/R	B/R
Hydraulic system	125 l/min @ 315 bar		125 l/min @ 315 bar	
Minimum size of tractor (kg)	5,000	6,000	7,000	8,000
Weight (kg)	2,170	2,195	2,355	2,385

Mounting: F = Front mounted, B = Rear mounted, R = Reverse mounted



SPIDER	520	620	720	820
A (m)	5.2	6.2	7.2	8.2
B (m)	4.7	5.7	6.7	7.7
C (m)	3.4	4.1	4.8	5.6
D (m)	1.8	2.2	2.6	3.1
E (m)	3.0	3.7	4.4	5.0
F (m)	1.5	1.8	2.2	2.6
G (m)	5.1	6.1	7.1	8.1
H (m)	0.4	0.4	0.4	0.4
I (m)	2.0	2.0	2.0	2.0







SCORPION

ADAPTED TO YOUR NEEDS



SCORPION MODELS



SCORPION 4 S & PLUS

13

Tools



m

3.3-4.3



m

3.1-4.1



1500-2200

2

years

WARRANTY



The Scorpion 4 series consists of compact reach mowers intended for smaller tractors, implement carriers, skid steer loaders and the like. The models are available in horizontal working widths of 3.3 and 4.3 m.

The boom mowers are manufactured in Strenx 700 high strength steel and delivered with a hybrid arm system, 4-point mounting system and Danfoss proportional hydraulic valve with a mini joystick.

The Scorpion 4 series is build in a modular system and available in different versions.

PTO driven versions:

- Rear mounted in three-point suspension, cat. 1 & 2, 350-540 rpm
- Front mounted in three-point suspension, cat. 1 & 2, 600-1000 rpm
- Reverse mounted in three-point suspension, cat. 1 & 2, 350-540 rpm



SCORPION 6 S & PLUS

20
Tools

↔
m
5.3-6.3

↑
m
5.1-6.1

 kg
4000-5000

2
years
WARRANTY



The Scorpion 6 series is available in four models and is rear mounted.

The Scorpion 6 series is designed for medium-sized tractors with a weight of at least 4000 kg (530-6).

The patented 4-point mounting system connects the tractor and the boom mower and gives 100% stability. It is also easy to mount.

The Hybrid arm system provides great flexibility and increases the work capacity and environment. The Danfoss hydraulic system on the 6 PLUS models ensures high reliability and output. Furthermore, the joystick is easy to operate.

SCORPION 8 S & PLUS

20
Tools

↔
m
7.3-8.3

↑
m
7.1-8.1

 kg
7000-8000

2
years
WARRANTY



The Scorpion 8 series represents the largest boom mowers in the Scorpion range. It consists of four models.

The Scorpion 8 series is suitable for large tractors with a weight of 7,000 kg and above (730-8).

All scorpion models are manufactured in Strenx 700 high strength steel. You truly see the greatness of the Strenx steel at the longer reaches as it reduces the weight while increasing the strength.

Scorpion's 4-point suspension is mounted in the tractor's three-point suspension, which provides a stable and fast installation.



SCORPION MODELS



SCORPION 4 S & PLUS - BASIC FRONT

13

Tools



m

3.3-4.3



m

3.1-4.1



2250-3000

2

years

WARRANTY



The Scorpion 4 series consists of compact reach mowers intended for smaller tractors, implement carriers, skid steer loaders and the like. The models are available in horizontal working widths of 3.3 and 4.3 m.

The boom mowers are manufactured in Strenx 700 high strength steel and delivered with a hybrid arm system, 4-point mounting system and Danfoss proportional hydraulic valve with a mini joystick.

The Scorpion 4 series is build in a modular system and available in different versions.

Basic versions (Oil supplied from loader, implement carrier or tractor):

- Front mounted with loader brackets
- Front mounted with special brackets
- Front mounted in the three-point suspension



SCORPION 6 S - BASIC FRONT

19

Tools



m

5.3-6.3



m

5.1-6.1



kg

5000-6000

2

years

WARRANTY



NEWS

With the Scorpion Basic Front, GreenTec has developed a complete boom mower series that uses the hydraulic system of the tractor or loader as the only source of energy.

In 2019, the two smallest models, Scorpion 330 and 430 - Basic Front, were presented at Agritechnica. They are now followed by two more models, namely the Scorpion 530 and 630 - Basic Front with ranges of 5.3 and 6.3 m, respectively.

Scorpion 530 and 630 - Basic Front are delivered in two variants, either with 85 or 115 l/min @ 230 bar as oil requirement. For hedge and tree trimming with either a quad-saw or cutterbar, the 85 l/min variant is fully sufficient. For grass mowing, on the other hand, they need 115 l/min @ 230 bar, as a continuous oil flow.

SCORPION - MODEL DIFFERENCES



The Scorpion models are built in two different versions: S-series and PLUS-series. The table shows the differences between the two versions.

SCORPION	4 S-SERIES	4 PLUS-SERIES
Rotor Flex, 221° turn of cutting head	-	Standard
Auto Flex, automatic vertical positioning	-	Standard

SCORPION	6 & 8 S-SERIES	6 & 8 PLUS-SERIES
Hydraulic system	115 l/min @ 230 bar	125 l/min @ 315 bar
Pump (ccm)	56	60
Gearbox (size)	M7	M9
Rotor Flex, 270° turn of cutting head	Optional	Standard
Auto Flex, automatic vertical positioning	Optional	Standard
Lights	LED	LED Plus

Control

All Scorpion models have Danfoss proportional valves and a corresponding joystick controller. The joysticks are ergonomically and logically constructed which makes it easy to operate the machine. In addition to the joystick, all models come with a control panel, Logitec Safe.



SCORPION 6 & 8 S/PLUS



SCORPION 4 S

SCORPION 4 PLUS



SCORPION - FEATURES

4-point mounting (patented)

The mounting system gives great stability even at reaches above 8 m.

Strenx steel

The Scorpion is constructed in the Swedish STRENX 700 structural steel, which has a much higher quality and strength. This results in a stronger and at the same time lighter construction.

Rotor Flex

The double pivot joint allows the cutting head to be moved forward in the driver's natural field of vision, so the driver can see both the cutting head and the material that needs to be crushed.

Hybrid arm system (patented)

GreenTec has developed an arm system which basically makes the arm operable with or without parallel motion. You can enable or disable the parallel motion feature from the control panel of the machine. The patented arm system makes the work more efficient and rewards the driver with greater job satisfaction.

Auto Height Control (optional)

Auto Height Control is used for grass mowing and ensures that the cutting head floats above the terrain. It relieves the driver of maneuvering operations, increases road safety and lowers maintenance costs.

* An integrated leaf blower can be purchased as an option.

SCORPION - INNOVATION



4-POINT MOUNTING (patented)

All Scorpions come with a 4-point mounting system.

Instead of the traditional three-point mounting, the Scorpion models have four mounting points on the main-frame. The two lower points are connected to the tractor's lift arms while the two upper points are attached to a triangular frame in the tractor's top link bracket or a K80 ball hitch. If the boom mower has a horizontal reach larger than 7 m, it is stabilized with additional connections from the machine to the tractor's drawbar or K80 ball hitch.

The 4-point mounting system is an incredibly easy solution and provides 100% stability between the boom mower and the tractor.

STRENX STEEL

Strenx steel is a collective name for all the high strength steel brands supplied by the Swedish Steel Group SSAB. It includes Optim, Weldox and Domex to name a few.

Since 2015, GreenTec has produced machines in Strenx steel. In June 2019, GreenTec became a certified user of Strenx steel. It has cleared the way for more opportunities to manufacture new and competitive products in a lighter, stronger and environmentally friendly design.

The arm on the Scorpion models is produced in Strenx 700 steel, which has optimized the product's weight and strength ratio.

AUTO HEIGHT CONTROL (AHC)

The AHC is available as optional equipment for the Scorpion 6 & 8 series.

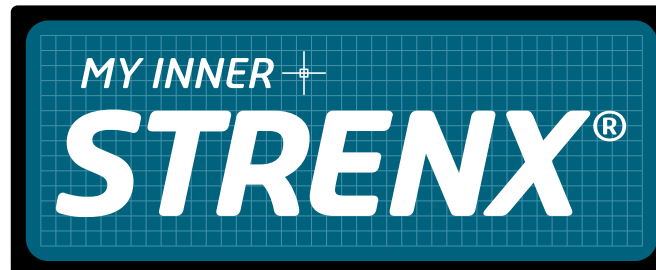
AHC is used for verge and ditch mowing. It ensures that the cutting head floats above the surface and does not mow into the ground by following the contours of the terrain. This is all done automatically. The driver does not need to maneuver the boom mower with the joystick.

AHC can be enabled from the cabin and the driver can concentrate on the traffic and potential obstacles in the way. The fact that the cutting head floats above the ground contributes to far less stress on the device which results in fewer maintenance costs.



4-POINT MOUNTING

- 100% stable mounting
- Simple construction
- Fast and easy mounting



MY INNER STRENX

- World's strongest manufacturing steel
- 25% weight reduction
- 50% stronger construction
- „My Inner Strenx“-Partner



AUTO HEIGHT CONTROL

- Work relief for the driver
- Increased road safety
- Lower maintenance costs
- Increased capacity

SCORPION HYBRID ARM SYSTEM (patented)

The Scorpion series comes with an arm concept that offers a number of options and advantages.

The brief explanation is that the Scorpion models can be controlled with or without parallel motion and you will achieve the best of both worlds on the same machine.

The parallel motion takes place through a Master Slave System and is especially used for hedge trimming. The non-parallel motion shines in cramped conditions, such as forest roads and trails. It can also be particularly useful for grass mowing in slopes and ditches. There is no need to acquire a telescopic extension for the arm due to the great flexibility of the Hybrid arm system. The two outer arms on the reach mower are remarkably compact.

With the use of the short inner arm, you can achieve the flexibility that a regular telescopic extension would give. It simplifies the construction of the machine and reduces the overall weight.

It is easy to disable or enable the use of the parallel motion through the control panel. The functionalities of the arm are controlled through a joystick.



HYBRID ARM SYSTEM

- Increased flexibility
- Greater capacity
- Reduced weight



ROTOR FLEX

- Better visibility
- Increased flexibility
- Greater capacity

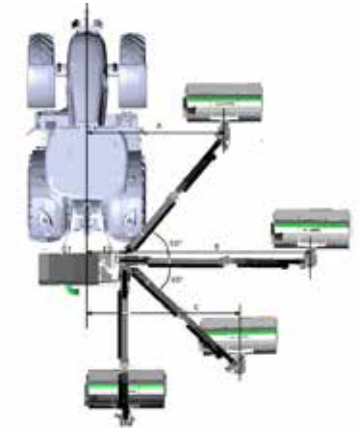
ROTOR FLEX WITH AUTOMATIC VERTICAL POSITIONING

As a standard, the arm on the Scorpion models can be turned 155 degrees (55° forward and 100° back).

Rotor Flex has a double pivot joint which enables you to move the cutting head forward, so it is in the driver's natural field of vision.

The cutting head can also be moved behind the vehicle which is useful for verge mowing on small roads with oncoming traffic.

Rotor Flex automatically positions the vertical pivot joint correctly. It relieves the stress on the driver and is applied for hedgerow maintenance as the saw or cutter bar automatically is adjusted to cut vertically.



Ask your dealer for a demonstration and be prepared to be blown away by the amazing Auto Height Control (AHC), Hybrid arm system and Rotor Flex.



SCORPION 4-SERIES



4 S-SERIES	330	430
Horizontal reach (m)	3.3	4.3
Vertical reach (m)	3.1	4.1
Transport width (m)	1.8	2.2
Mounting	Front, rear or reverse	
Minimum size of tractor (kg)	1,500	2,000
Weight (kg)	570	590
Rotor Flex / Auto Flex	N/A	N/A

4 PLUS-SERIES	330	430
Horizontal reach (m)	3.3	4.3
Vertical reach (m)	3.1	4.1
Transport width (m)	1.8	2.2
Mounting	Front, rear or reverse	
Minimum size of tractor (kg)	1,650	2,200
Weight (kg)	610	630
Rotor Flex / Auto Flex	Standard	Standard

SCORPION 330 S & 430 S / 330 PLUS & 430 PLUS

The Scorpion 4 series consists of compact reach mowers intended for smaller tractors. There are four models in the series which have horizontal working widths of 3.3 and 4.3 m.

The boom mowers are manufactured in Strenx 700 high strength steel and delivered with a Hybrid arm system, 4-point mounting system and Danfoss proportional hydraulic valve with a mini joystick.

PTO driven versions:

- Rear mounted in three-point suspension, cat. 1 & 2, 350-540 rpm
- Front mounted in three-point suspension, cat. 1 & 2, 600-1000 rpm
- Reverse mounted in three-point suspension, cat. 1 & 2, 350-540 rpm





EQUIPMENT & SPECIFICATIONS

ARM SYSTEM

- Hybrid arm system with dual function
- 155° hydraulic turn of the arm with power control
- Strenx 700 steel construction
- Rotor Flex, double pivot joint with 221° turn of cutting head and 180° cutting angle (standard 4 PLUS)
- Auto Flex, aut. adjust. of vertical position (standard 4 PLUS)

HYDRAULIC SYSTEM

- 32 ccm gear pump
- Pump output 52 l/min @ 210 bar
- Danfoss proportional valve PVG 16
- Mini joystick with 3 proportional functions
- 2 oil flows, 40 and 25 l/min for attachment tool
- Hydraulic float of arm and cutting angle
- Tank capacity 80 l oil
- Oil cooler

MOUNTING & SAFETY

- 4-point mounting for cat. 1 or 2
- PTO rear mounted, 350-540 rpm
- PTO front mounted, 600-1000 rpm
- PTO reverse mounted, 350-540 rpm
- Automatic Hydraulic Security (AHS)
- Holes for pallet forks
- Low transport height at 1.22 m
- Transport safety
- LED lights

OPTIONAL EQUIPMENT

- Quick release, hydraulic
- Quick release, mechanical
- Counterweights, 90 kg
- Bio oil



SCORPION 6-SERIES



6 S & PLUS-SERIES	530-6	630-6
Horizontal reach (m)	5.3	6.3
Vertical reach (m)	5.1	6.1
Transport width (m)	2.2	2.2
Mounting	Rear	Rear
Minimum size of tractor (kg)	4,000	5,000
Weight (kg): S-series	1,235	1,270
Weight (kg): PLUS-series	1,370	1,395



SCORPION 530 S & 630 S / 530 PLUS & 630 PLUS

The Scorpion 6 series consists of medium-sized reach mowers and they are used by contractors and farmers. The Scorpion 6 models are designed for regular tractors and can be rear mounted.

The boom mowers are manufactured in Strenx 700 high strength steel which optimizes the weight and strength of the arm.

The Scorpion 6 series is delivered with a 4-point mounting system, Danfoss joystick control, Air Stream Control, etc. The hybrid arm system makes it possible to switch between the parallel and non-parallel motion.

GreenTec has a wide range of verge mowing and hedge trimming tools that can be attached to the Scorpion boom mowers. There is always a use for the Scorpion regardless of the season.





EQUIPMENT & SPECIFICATIONS

ARM SYSTEM

- Hybrid arm system with dual function
- 155° hydraulic turn of the arm with power control
- Strenx 700 steel construction
- Rotor Flex, double pivot joint (standard 6 PLUS)
- Auto Flex, aut. adjust. of vertical position (standard 6 PLUS)

HYDRAULIC SYSTEM

Series 6 S: 56 ccm gear pump
Pump output 115 l/min @ 230 bar

Series 6 PLUS: Danfoss 60 ccm piston pump
Pump output 125 l/min @ 315 bar

- Danfoss proportional valve PVG 32/16
- Danfoss joystick with 4 proportional functions
- 2 oil flows, 85 and 50 l/min for attachment tool
- Hydraulic float of arm and cutting angle
- Oil cooler
- Air Stream Control – effective oil cooling
- Tank capacity 220 l oil

MOUNTING & SAFETY

- 4-point mounting for cat. 2 or 3
- PTO rear mounted, 450-850 rpm (6 S)
- PTO rear mounted, 450-750 rpm (6 PLUS)
- Automatic Hydraulic Security (AHS)
- Transport safety
- LED lights

OPTIONAL EQUIPMENT

- Auto Height Control for verge mowing (AHC)
- Rotor Flex, double pivot joint, 270° / 180° (6 S)
- Auto Flex, aut. adjust. of vertical position (6 S)
- Quick release, hydraulic
- Quick release, mechanical
- Hose kit, 4 pcs. for arm
- K80 ball hitch for 4-point mounting
- Counterweights, 430 kg
- Leaf Blower LG, integrated
- Bio oil



SCORPION 8-SERIES



8 S & PLUS-SERIES	730-8	830-8
Horizontal reach (m)	7.3	8.3
Vertical reach (m)	7.1	8.1
Transport width (m)	2.4	2.5
Mounting	Rear	Rear
Minimum size of tractor (kg)	7,000	8,000
Weight (kg): S-series	1,475	1,505
Weight (kg): PLUS-series	1,600	1,630



SCORPION 730 S & 830 S / 730 PLUS & 830 PLUS

The Scorpion 8 series consists of large reach mowers for professional users, such as contractors and farmers performing roadside and hedgerow maintenance.

The reach mowers have a high weight and must be rear mounted on large tractors to gain stability. The boom mowers are manufactured in Strenx 700 high strength steel which truly shines when it comes to weight management of larger machines.

The Scorpion 8 series comes with a 4-point and K80 mounting system, Danfoss joystick control, Air Stream Control, etc. The hybrid arm system makes it possible to switch between the parallel and non-parallel motion.

GreenTec has a wide range of verge mowing and hedge trimming tools that can be attached to the Scorpion boom mowers. There is always a use for the Scorpion regardless of the season.





EQUIPMENT & SPECIFICATIONS

ARM SYSTEM

- Hybrid arm system with dual function
- 155° hydraulic turn of the arm with power control
- Strenx 700 steel construction
- Rotor Flex, double pivot joint (standard 8 PLUS)
- Auto Flex, aut. adjust. of vertical position (standard 8 PLUS)

HYDRAULIC SYSTEM

Series 8 S: 56 ccm gear pump
Pump output 115 l/min @ 230 bar

Series 8 PLUS: Danfoss 60 ccm piston pump
Pump output 125 l/min @ 315 bar

- Danfoss proportional valve PVG 32/16
- Danfoss joystick with 4 proportional functions
- 2 oil flows, 85 and 50 l/min for attachment tool
- Hydraulic float of arm and cutting angle
- Oil cooler
- Air Stream Control – effective oil cooling
- Tank capacity 220 l oil

MOUNTING & SAFETY

- 4-point mounting for cat. 2 or 3
- PTO rear mounted, 450-850 rpm (8 S)
- PTO rear mounted, 450-750 rpm (8 PLUS)
- Automatic Hydraulic Security (AHS)
- Transport safety
- LED lights

OPTIONAL EQUIPMENT

- Auto Height Control for verge mowing (AHC)
- Rotor Flex, double pivot joint, 270° / 180° (8 S)
- Auto Flex, aut. adjust. of vertical position (8 S)
- Quick release, hydraulic
- Quick release, mechanical
- Hose kit, 4 pcs. for arm
- K80 ball hitch for 4-point mounting
- Counterweights, 430 kg
- Leaf Blower LG, integrated
- Bio oil



SCORPION 4-SERIES - BASIC FRONT



4 S-SERIES - BASIC FRONT	330	430
Horizontal reach (m)	3.3	4.3
Vertical reach (m)	3.1	4.1
Transport width (m)	1.8	2.2
Mounting	Front	Front
Minimum size of vehicle (kg)	2,250	3,000
Weight (kg)	500	520
Rotor Flex / Auto Flex	N/A	N/A

4 PLUS-SERIES - BASIC FRONT	330	430
Horizontal reach (m)	3.3	4.3
Vertical reach (m)	3.1	4.1
Transport width (m)	1.8	2.2
Mounting	Front	Front
Minimum size of vehicle (kg)	2,250	3,000
Weight (kg)	540	560
Rotor Flex / Auto Flex	Standard	Standard

SCORPION 330 S & 430 S / 330 PLUS & 430 PLUS

Scorpion 330 & 430 - Basic Front is developed for front mounting on loaders and implement carriers. There are four models in the series which have horizontal working widths of 3.3 and 4.3 m.

The boom mowers are manufactured in Strenx 700 high strength steel and delivered with a Hybrid arm system, 4-point mounting system and Danfoss proportional hydraulic valve with a mini joystick.

Basic versions (Oil supplied from loader, implement carrier or tractor):

- Front mounted with loader brackets
- Front mounted with special brackets
- Front mounted in the three-point suspension





EQUIPMENT & SPECIFICATIONS

ARM SYSTEM

- Hybrid arm system with dual function
- 155° hydraulic turn of the arm with power control
- Strenx 700 steel construction
- Rotor Flex, double pivot joint with 221° turn of cutting head and 180° cutting angle (standard 4 PLUS)
- Auto Flex, aut. adjust. of vertical position (standard 4 PLUS)

HYDRAULIC SYSTEM

- Oil supply from vehicle
- Minimum supply of oil:
 37 l/min @ 210 bar = only tools with 25 l/min
 52 l/min @ 210 bar = tools with 25 and 40 l/min
- Danfoss proportional valve PVG 16
 - Mini joystick with 3 proportional functions
 - 2 oil flows, 40 and 25 l/min for attachment tool
 - Hydraulic float of arm and cutting angle
 - Oil cooler

MOUNTING & SAFETY

- 4-point mounting for cat. 1 or 2
- Automatic Hydraulic Security (AHS)
- Holes for pallet forks
- Low transport height at 1.22 m
- Transport safety
- LED lights

OPTIONAL EQUIPMENT

- Suspension for loaders or implement carriers
- Quick release, hydraulic
- Quick release, mechanical
- Counterweights, 90 kg



SCORPION 6-SERIES - BASIC FRONT



NEWS

6 S-SERIES - BASIC FRONT	530-6	630-6
Horizontal reach (m)	5.3	6.3
Vertical reach (m)	5.1	6.1
Transport width (m)	2.2	2.2
Mounting	Front	Front
Minimum size of vehicle (kg)	5,000	6,000
Weight (kg)	985	1,020



SCORPION 530 S & 630 S - BASIC FRONT

With the Scorpion Basic Front, GreenTec has developed a complete boom mower series that uses the hydraulic system of the tractor or loader as the only source of energy.

In 2019, the two smallest models, Scorpion 330 and 430 - Basic Front, were presented at Agritechnica. They are now followed by two more models, namely the Scorpion 530 and 630 - Basic Front with ranges of 5.3 and 6.3 m, respectively.

Scorpion 530 and 630 - Basic Front are delivered in two variants, either with 85 or 115 l/min @ 230 bar as oil requirement. For hedge and tree trimming with either a quadsaw or cutterbar, the 85 l/min variant is fully sufficient. For grass mowing, on the other hand, they need 115 l/min @ 230 bar, as a continuous oil flow.





EQUIPMENT & SPECIFICATIONS

ARM SYSTEM

- Hybrid arm system with dual function
- 155° hydraulic turn of the arm with power control
- Strenx 700 steel construction

HYDRAULIC SYSTEM

- Oil supply from vehicle
- Minimum supply of oil:
- 85 l/min @ 230 bar = only tools with 50 l/min
 115 l/min @ 230 bar = tools with 50 and 85 l/min
- Danfoss proportional valve PVG 32/16
 - Danfoss joystick with 4 proportional functions
 - 2 oil flows, 85 and 50 l/min for attachment tool
 - Hydraulic float of arm and cutting angle
 - Air Stream Control – effective oil cooling

MOUNTING & SAFETY

- 4-point mounting for cat. 2 or 3
- Automatic Hydraulic Security (AHS)
- Transport safety
- LED lights

OPTIONAL EQUIPMENT

- Suspension for loaders
- Municipal plate
- Auto Height Control for verge mowing (AHC)
- Rotor Flex, double pivot joint, 270° / 180°
- Auto Flex, aut. adjust. of vertical position
- Quick release, hydraulic
- Quick release, mechanical
- K80 ball hitch for 4-point mounting
- Counterweights, 430 kg and an additional 212 kg

SCORPION - ATTACHMENT TOOLS

ATTACHED TO SCORPION
4 S & PLUS



Rotary Hedge Cutter RC 102



Flail Mower FR 92



Cutterbar HL 152 - 242



Quadsaw LRS 1402



Cutterbar HS 172



Rotary Hedge Cutter RC 132



Flail Mower FR 112



Quadsaw LRS 1602



Grass Cutterbar S 165 & 190

SCORPION - ATTACHMENT TOOLS

ATTACHED TO SCORPION
6 S & 6 PLUS / 8 S & 8 PLUS



Flail Mower FR 122 & 162



Quadsaw LRS 2002 & 2402



Rotary Mulcher RM 232



Rotary Hedge Cutter RC 162



Cutterbar HX 170 - 270



Cutterbar HS 212 & 242



Rotary Crusher RX 133



Weed Clearing Brush BR 90



Grass Cutterbar S 165 - 240

GreenTec offers
the widest selection of tools
for landscape maintenance.

View more on:
www.GreenTec.eu



Rotary Ditch Cleaner GR 70



Leaf Blower LG



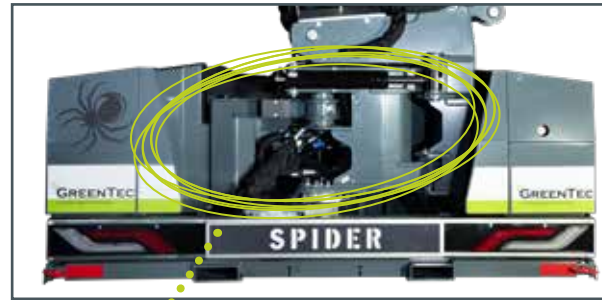


SPIDER
270° WORKING AREA - EVERYTHING IS POSSIBLE

SPIDER - 270° WORKING AREA



Under the hood.



A centrally mounted side shift frame moves 180° from right to left. Both the arm and the side shift function have automatic hydraulic security in both directions.



The 220 liter hydraulic tank is located on the right side, and the hydraulic valves and oil cooler are located on the left side.



The arm itself is mounted at the end of the frame. The arm can be turned 45°, forwards or backwards. This brings the cutting head right into the driver's field of vision.



The arm is controlled from the cabin and can be moved from the right to left side and into the driver's field of vision.



Strenx steel

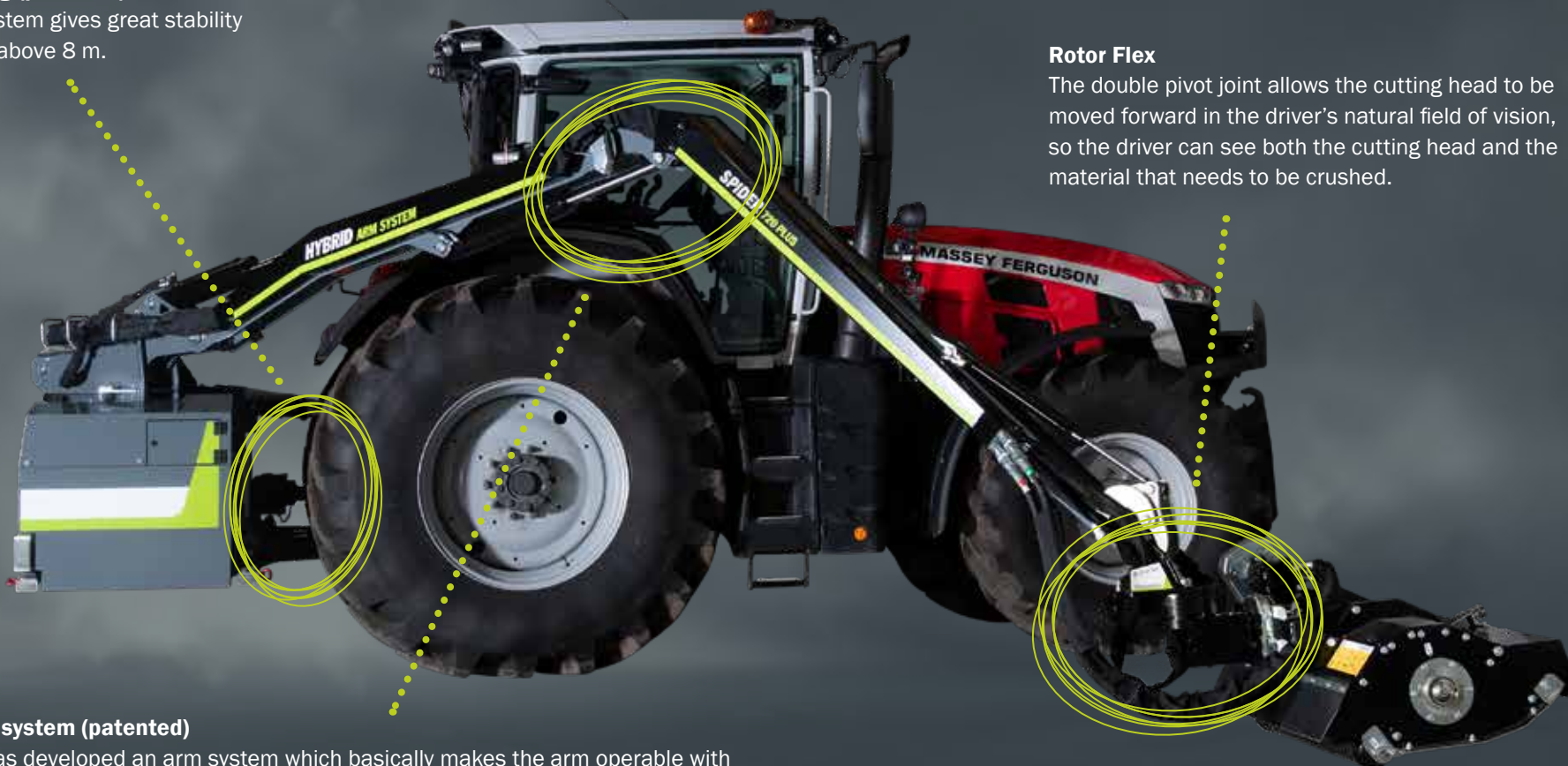
The Spider is constructed in the Swedish STRENX 700 structural steel, which has a much higher quality and strength. This results in a stronger and at the same time lighter construction.

4-point mounting (patented)

The mounting system gives great stability even at reaches above 8 m.

Rotor Flex

The double pivot joint allows the cutting head to be moved forward in the driver's natural field of vision, so the driver can see both the cutting head and the material that needs to be crushed.



Hybrid arm system (patented)

GreenTec has developed an arm system which basically makes the arm operable with or without parallel motion. You can enable or disable the parallel motion feature from the control panel of the machine. The patented arm system makes the work more efficient and rewards the driver with greater job satisfaction.

Auto Height Control (optional)

Auto Height Control is used for grass mowing and ensures that the cutting head floats above the terrain. It relieves the driver of maneuvering operations, increases road safety and lowers maintenance costs.

* An integrated leaf blower can be purchased as an option.

SPIDER - INNOVATION



4-POINT MOUNTING (patented)

All Spider models come with a 4-point mounting system.

Instead of the traditional three-point mounting, the Spider models have four mounting points on the mainframe. The two lower points are connected to the tractor's lift arms while the two upper points are attached to a triangular frame in the tractor's top link bracket or a K80 ball hitch. The bottom is stabilized with a connection to the tractor's drawbar or K80. In this way, the side forces of the arm are distributed between the

The 4-point mounting system is an incredibly easy solution and provides 100% stability between the boom mower and the tractor.

STRENX STEEL

Strenx steel is a collective name for all the high strength steel brands supplied by the Swedish Steel Group SSAB. It includes Optim, Weldox and Domex to name a few.

Since 2015, GreenTec has produced machines in Strenx steel. In June 2019, GreenTec became a certified user of Strenx steel. It has cleared the way for more opportunities to manufacture new and competitive products in a lighter, stronger and environmentally friendly design.

The arm on the Spider models is produced in Strenx 700 steel, which has optimized the product's weight and strength ratio.

AUTO HEIGHT CONTROL (AHC)

The AHC is available as optional equipment for the Spider 6 & 8 series.

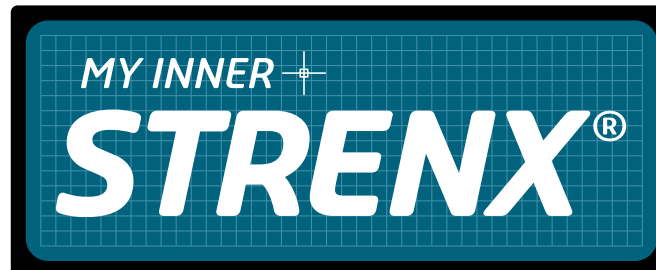
AHC is used for verge and ditch mowing. It ensures that the cutting head floats above the surface and does not mow into the ground by following the contours of the terrain. This is all done automatically. The driver does not need to maneuver the boom mower with the joystick.

AHC can be enabled from the cabin and the driver can concentrate on the traffic and potential obstacles in the way. The fact that the cutting head floats above the ground contributes to far less stress on the device which results in fewer maintenance costs.



4-POINT MOUNTING

- 100% stable mounting
- Simple construction
- Fast and easy mounting



MY INNER STRENX

- World's strongest manufacturing steel
- 25% weight reduction
- 50% stronger construction
- „My Inner Strenx“-Partner



AUTO HEIGHT CONTROL

- Work relief for the driver
- Increased road safety
- Lower maintenance costs
- Increased capacity

HYBRID ARM SYSTEM (patented)

The Spider series comes with an arm concept that offers a number of options and advantages.

The brief explanation is that the Spider models can be controlled with or without parallel motion and you will achieve the best of both worlds on the same machine.

The parallel motion takes place through a Master Slave System and is especially used for hedge trimming. The non-parallel motion shines in cramped conditions, such as forest roads and trails. It can also be particularly useful for grass mowing in slopes and ditches. There is no need to acquire a telescopic extension for the arm due to the great flexibility of the Hybrid arm system. The two outer arms on the reach mower are remarkably compact.



HYBRID ARM SYSTEM

- Increased flexibility
- Greater capacity
- Reduced weight

ROTOR FLEX & AUTO FLEX

The arm of the Spider can turn 270°, from right to left and vice versa. To position the cutting head, a double swivel joint (Rotor Flex) is fitted, which can also rotate 270°.

This makes it possible to get the cutting head in exactly the position you want: Right, left - forwards or backwards - driving behind the tractor - practically anything is possible.

The Rotor Flex automatically positions the vertical pivot joint correctly. It relieves the stress on the driver and is applied for hedgerow maintenance as the saw or cutter bar automatically is adjusted to cut vertically.



ROTOR FLEX

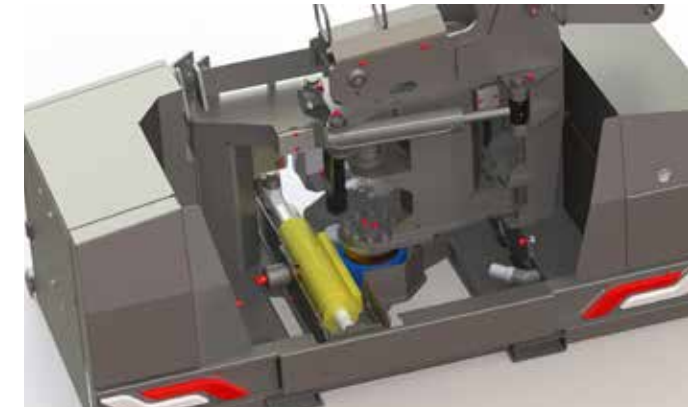
- Better visibility
- Increased flexibility
- Greater capacity

SIDE SHIFT FRAME

On the Spider, a side shift frame is mounted in the middle of the machine. The frame is continuously rotated hydraulically 180°, from right to left and vice versa.

The arm itself is mounted at the far end of the frame. The arm can turn 45° forward and 45° back. This makes it possible to get the cutting head forward into the driver's natural field of vision without hitting the tractor's cabin - both to the right and to the left.

Both functions are equipped with double-acting collision protection = safety in the event of obstacles!



SIDE SHIFT FRAME

- The cutting head can be moved forward
- Perfect view
- For right and left driving on the road



SPIDER 6-SERIES



6 PLUS-SERIES	520-6	620-6
Horizontal reach (m)	5.2	6.2
Vertical reach (m)	5.1	6.1
Transport width (m)	2.2	2.2
Hydraulic system	125 l/min @ 315 bar	
Mounting	Front or rear/reverse	
Minimum size of tractor (kg)*	5,000	6,000
Weight (kg)	2,170	2,195

* Indicative. Add 50% extra weight when front mounted



NEWS

SPIDER 520 PLUS & 620 PLUS

The two smallest models, 520 and 620, are delivered either as front or rear/reverse mounted.

The working range of both the arm and the cutting head is 270°. This results in unparalleled flexibility, which makes it possible to move the cutting head in any position - right, left, front or back.

The Spider series' hydraulic system and joystick have been developed in close collaboration with Danfoss, which supplies all components for this. The main functions of the arm are operated logically via the joystick where the 4 functions are proportional.





EQUIPMENT & SPECIFICATIONS

ARM SYSTEM

- Side shift frame for right or left driving
- Hybrid arm system with dual function
- 270° hydraulic turn of the arm with power control
- Strenx 700 steel construction
- Rotor Flex, double pivot joint, 270° / 180°
- Auto Flex, aut. adjust. of vertical position

HYDRAULIC SYSTEM

- Danfoss 60 ccm piston pump
- Pump output 125 l/min @ 315 bar
- Danfoss proportional valve PVG 32/16
- Danfoss joystick with 4 proportional functions
- 2 oil flows, 85 l/min and 50 l/min for attachment tool
- Hydraulic float of arm and cutting angle
- Oil cooler
- Air Stream Control – effective oil cooling
- Tank capacity 220 l oil

MOUNTING & SAFETY

- 4-point mounting for cat. 2 or 3
- PTO, 500-750 rpm
- Automatic Hydraulic Security (AHS)
- Transport safety
- LED lights

OPTIONAL EQUIPMENT

- Auto Height Control for verge mowing (AHC)
- Quick release, hydraulic
- Quick release, mechanical
- Hose kit, 4 pcs. for arm
- K80 ball hitch for 4-point mounting
- Leaf Blower LG, integrated
- Bio oil



SPIDER 8-SERIES



NEWS

8 PLUS-SERIES	720-8	820-8
Horizontal reach (m)	7.2	8.2
Vertical reach (m)	7.1	8.1
Transport width (m)	2.4	2.4
Hydraulic system	125 l/min @ 315 bar	
Mounting	Rear/reverse	
Minimum size of tractor (kg)*	7,000	8,000
Weight (kg)	2,355	2,385



SPIDER 720 PLUS & 820 PLUS

The two largest models, 720 and 820, are delivered as rear/reverse mounted.

The working range of both the arm and the cutting head is 270°. This results in unparalleled flexibility, which makes it possible to move the cutting head in any position - right, left, front or back.

The Spider series' hydraulic system and joystick have been developed in close collaboration with Danfoss, which supplies all components for this. The main functions of the arm are operated logically via the joystick where the 4 functions are proportional.





EQUIPMENT & SPECIFICATIONS

ARM SYSTEM

- Side shift frame for right or left driving
- Hybrid arm system with dual function
- 270° hydraulic turn of the arm with power control
- Strenx 700 steel construction
- Rotor Flex, double pivot joint, 270° / 180°
- Auto Flex, aut. adjust. of vertical position

HYDRAULIC SYSTEM

- Danfoss 60 ccm piston pump
- Pump output 125 l/min @ 315 bar
- Danfoss proportional valve PVG 32/16
- Danfoss joystick with 4 proportional functions
- 2 oil flows, 85 l/min and 50 l/min for attachment tool
- Hydraulic float of arm and cutting angle
- Oil cooler
- Air Stream Control – effective oil cooling
- Tank capacity 220 l oil

MOUNTING & SAFETY

- 4-point mounting for cat. 2 or 3
- PTO, 500-750 rpm
- Automatic Hydraulic Security (AHS)
- Transport safety
- LED lights

OPTIONAL EQUIPMENT

- Auto Height Control for verge mowing (AHC)
- Quick release, hydraulic
- Quick release, mechanical
- Hose kit, 4 pcs. for arm
- K80 ball hitch for 4-point mounting
- Leaf Blower LG, integrated
- Bio oil

NEWS

SPIDER - ATTACHMENT TOOLS



**ATTACHED TO SPIDER
520 PLUS, 620 PLUS, 720 PLUS & 820 PLUS**



Flail Mower FR 122 & 162



Quadsaw LRS 2002 & 2402



Rotary Mulcher RM 232



Rotary Hedge Cutter RC 162



Cutterbar HX 170 - 270



Cutterbar HS 212 & 242



Rotary Crusher RX 133



Weed Clearing Brush BR 90



Grass Cutterbar S 165 - 240

GreenTec offers
the widest selection of tools
for landscape maintenance.

View more on:
www.GreenTec.eu



Rotary Ditch Cleaner GR 70



Leaf Blower LG



DEALER:

We reserve the right to make technical changes. Technical information and images are approximated. VERSION 1.0 - 11/2023 EN