

# ATTACHMENT TOOLS

ATTACHMENT TOOLS







## SPECIALISTS IN LANDSCAPE MAINTENANCE

GreenTec is a Danish company specialized in machines for the maintenance of green areas. Our products are based on more than 30 years of experience in the field.

All our machines have been developed in a simple, functional, production-friendly and sustainable design. They are manufactured at our factory in Denmark.

We are proud to present the market's widest range of hydraulic tools, which contain many innovative solutions that benefit the environment and economy and which also promote both driving pleasure and road safety.



# CONTENTS

## TREE TRIMMING

Rotary Mulcher RM 232	4
Quadsaw LRS 1402	6
Quadsaw LRS 1602	7
Quadsaw LRS 2002	8
Quadsaw LRS 2402	9
Twinsaw LRS 1602 - 2402	10
Cutterbar HX 170 - 270	11

## HEDGE TRIMMING

Cutterbar HL 152 - 242	14
Rotary Hedge Cutter RC 102 - 162	15
Cutterbar HS 172 - 242	16

## GRASS MOWING

Flail Mower FR 92 & 112	21
Flail Mower FR 122 & 162	22
Flail Mower FR 122 VB	23
Rotary Crusher RX 133	24
Barrier Mower RI 60 & 82	26
Grass Cutterbar S 165 - 240	28
Leaf Blower LG	29

## OTHER TOOLS

Rotary Ditch Cleaner GR 70	32
Weed Clearing Brush BR 70 & 90	33

## MOUNTING OPTIONS

Boom Mower Scorpion	36
Boom Mower Spider	40
Multi Carrier Puma	42
Multi Carrier FOX	44
Technical specifications	46





# **TREE TRIMMING**

**HIGH CUTTING CAPACITY WITH A SMOOTH RESULT**



# ROTARY MULCHER RM 232



POWER BAND BELT DRIVE



DOUBLE CUTTING DEPTH



RUBBER FLAP KIT



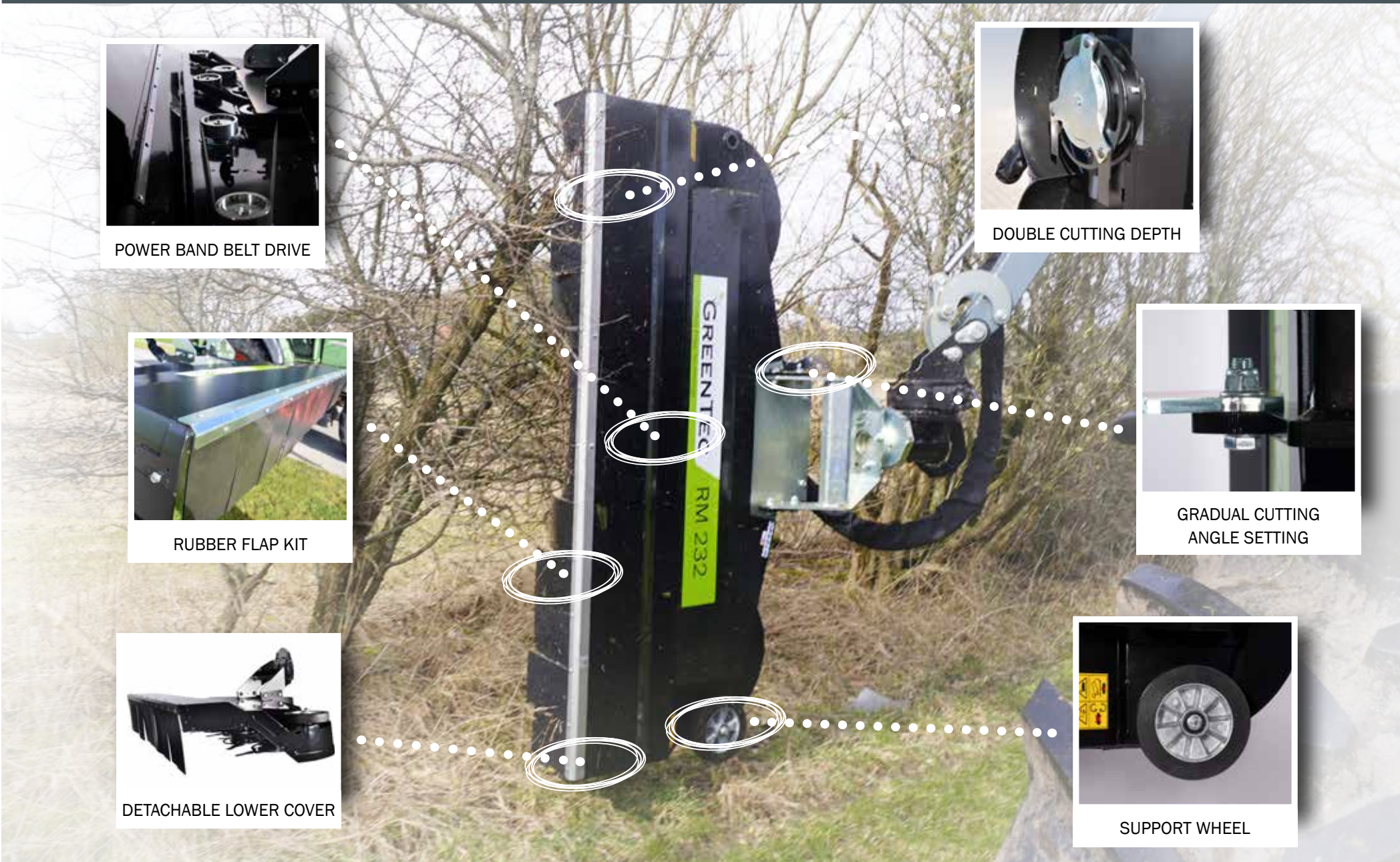
GRADUAL CUTTING ANGLE SETTING



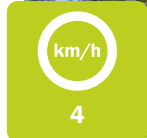
DETACHABLE LOWER COVER



SUPPORT WHEEL







ROTARY MULCHER RM	232
Working width (m)	2.3
Branch thickness (cm)	4
Driving speed (km/h)	4
Weight (kg)	310
Hydraulic connections	1 x DA + 1 x drain
Minimum oil flow (l/min)	50



## ROTARY MULCHER RM 232

Our Rotary Mulcher RM 232 is designed for professional use by municipalities, farmers and contractors. The machine is characterized by a large working width and a high forward speed which provide you with an enormous capacity. Branches are cut and shredded in a single work-flow. The cut-off branches slowly sprinkle from the bottom of the machine to the ground and the decomposing process begins.

The RM 232 is developed in high-strength steel and weighs only 310 kg which means that it can be mounted on most boom mowers and excavators.

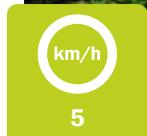


### **i** STRONG ARGUMENTS:

- Perfect cutting quality of branches up to Ø 4 cm
- High capacity: 2.3 m working width, up to 4 km/h
- No disposal costs for the cut-off material
- 6 pieces of blades per rotor (deviate from overload)
- Minimal wear and maintenance
- Many mounting options



# QUADSAW LRS 1402



QUADSAW LRS	1402
Working width (m)	1.4
Branch thickness (cm)	0.5 - 10
Driving speed (km/h)	5
Weight (kg)	48
Hydraulic connections	1 x DA + 1 x drain
Minimum oil flow (l/min)	25



## QUADSAW LRS 1402

The QuadSaw LRS 1402 is used by farmers, municipalities and contractors across the world for clearing and maintaining windbreaks, roads and trails.

The saw can be fitted on small vehicles, such as skid steer loaders and mini excavators, as it has a very low weight.



### **i** STRONG ARGUMENTS:

- Perfect cutting quality - both thick and thin branches
- Very high efficiency with Power Drive Transmission
- Saw blades with carbide tipped teeth
- Low weight
- Flexible mounting brackets



# QUADSAW LRS 1602



 m  
1.6

 cm  
< 12

 km/h  
5

 kg  
110

QUADSAW LRS	1602
Working width (m)	1.6
Branch thickness (cm)	0.5 - 12
Driving speed (km/h)	5
Weight (kg)	110
Hydraulic connections	1 x DA + 1 x drain
Minimum oil flow (l/min)	40



## QUADSAW LRS 1602

Maintain trees in forest areas, orchards or near agricultural fields with our Quadsaw LRS 1602. A strong branch guider is fitted to each blade which ensures that all branches are pruned with a smooth cut.

The saw is hydraulic driven and can be mounted on small and medium-sized vehicles, such as skid steer loaders, front-end loaders, tractors and excavators.



### **STRONG ARGUMENTS:**

- Perfect cutting quality - both thick and thin branches
- Forward speed, up to 5 km/h, provides a high capacity
- Power Drive transmission, high efficiency, low power requirements
- Saw blades with carbide tipped teeth that ensure a long life and minimal maintenance



# QUADSAW LRS 2002



↑  
m  
2.0

cm  
< 16

km/h  
5

kg  
198

QUADSAW LRS	2002
Working width (m)	2.0
Branch thickness (cm)	0.5 - 16
Driving speed (km/h)	5
Weight (kg)	198
Hydraulic connections	1 x DA + 1 x drain
Minimum oil flow (l/min)	85
Alternative oil flow (l/min)	50



## QUADSAW LRS 2002

Our QuadSaw LRS 2002 is used for trimming hedgerows near fields and maintaining the effect of shelterbelts, so the crops are protected from the damage that strong wind and erosion cause. The saw is also suitable for maintaining trails in forests where branches extend into the path or road.

The saw is hydraulic driven and can be mounted on large and medium-sized vehicles, such as telehandlers, front-end loaders, tractors and excavators.



**i STRONG ARGUMENTS:**

- Extreme performance, high efficiency
- Perfect cutting quality of thin and thick branches
- Power Drive transmission for high efficiency and low power requirement
- Saw blades with carbide tipped teeth = minimal maintenance



# QUADSAW LRS 2402



↑  
m  
2.4

cm  
< 21

km/h  
5

kg  
239

2  
years  
WARRANTY

QUADSAW LRS	2402
Working width (m)	2.4
Branch thickness (cm)	0.5 - 21
Driving speed (km/h)	5
Weight (kg)	239
Hydraulic connections	1 x DA + 1 x drain
Minimum oil flow (l/min)	85
Alternative oil flow (l/min)	50



## QUADSAW LRS 2402

The QuadSaw LRS 2402 wields four circular blades with carbide tipped teeth that are extremely sharp and provide a smooth cut of branches and limbs up to 21 cm in thickness. The circular saw has many uses, such as trimming back hedgerows or maintaining paths and roads in forest areas.

The saw is hydraulic driven and can be mounted on large and medium-sized vehicles, such as telehandlers, front-end loaders, tractors and excavators.



### **i** STRONG ARGUMENTS:

- Extreme performance, high efficiency
- Perfect cutting quality of thin and thick branches
- Power Drive transmission for high efficiency and low power requirement
- Saw blades with carbide tipped teeth = minimal maintenance



# TWINSAW LRS 1602 - 2402



↑  
m  
3.2-4.8

↘  
cm  
< 21

km/h  
5

kg  
260-639

2  
years  
WARRANTY

TWINSAW LRS	1602	2002	2402
Working width (m)	3.2	4.0	4.8
Branch thickness (cm)	0.5 - 12	0.5 - 16	0.5 - 21
Driving speed (km/h)	5	5	5
Weight (kg)	260	510	639
Hydraulic connections	1-2 x DA + 1 x drain		
Oil flow (l/min)	2 x 40	2 x 50	2 x 50
Alternative oil flow (l/min)	1 x 80	1 x 100	1 x 100



## TWINSAW LRS 1602, 2002 & 2402

Maintain trees in forests or on fields in no time with this monstrous machine. The branches receive a smooth cutting result.

The saw is suited for large excavators as it is quite heavy.



**i STRONG ARGUMENTS:**

- Extreme performance, high efficiency
- Perfect cutting quality of thin and thick branches
- Power Drive transmission for high efficiency and low power requirement
- Saw blades with carbide tipped teeth = minimal maintenance



# CUTTERBAR HX 170 - 270



 m  
1.7-2.7

 cm  
< 11

 km/h  
2

 kg  
180-260

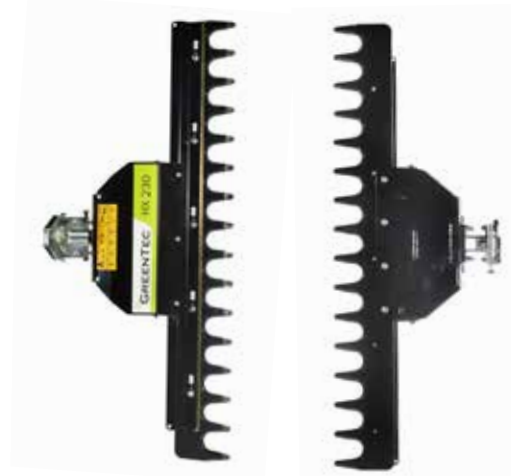
CUTTERBAR HX	170	230	270
Working width (m)	1.7	2.3	2.7
Branch thickness (cm)	11	11	11
Driving speed (km/h)	2	2	2
Weight (kg)	180	220	260
Hydraulic connections	1 x DA	1 x DA	1 x DA
Minimum oil flow (l/min)	50	50	50



## CUTTERBAR HX 170, 230 & 270

The HX series is used for tree trimming. The cutter bars have low maintenance costs as they are made in Hardox steel which is some of the most durable material on the market. You do not even need to sharpen the cutter bars as they will stay strong and cut branches with ease.

The HX series can be mounted on most large and medium-sized vehicles, such as tractors, loaders and excavators.



### **STRONG ARGUMENTS:**

- Trimmer bars made of Hardox steel = high lifespan
- Perfect cutting quality of branches and twigs
- Cutting frequency of 60 double strokes per minute
- Soft Turn technology
- Oil flow divider





GREENTEC  
100 100

GREENTEC

SCORPION





**HEDGE TRIMMING**  
HIGH PERFORMANCE AND SAFETY



# CUTTERBAR HL 152 - 242



↑  
m  
1.5-2.4

cm  
< 4

km/h  
2

kg  
60-72

**2**  
years  
WARRANTY

CUTTERBAR HL	152	182	212	242
Working width (m)	1.5	1.8	2.1	2.4
Branch thickness (cm)	4	4	4	4
Driving speed (km/h)	2	2	2	2
Weight (kg)	60	64	68	72
Hydraulic connections	1 x DA	1 x DA	1 x DA	1 x DA
Minimum oil flow (l/min)	20	25	25	25
Maximum oil flow (l/min)	32	40	40	40



## CUTTERBAR HL 152, 182, 212 & 242

Our Cutterbar HL series consists of light yet powerful hedge trimmers that cut branches up to 4 cm in thickness. It performs about 200-400 cuts per minute and is equipped with a high-performance gearbox.

The HL series are almost universal hedge cutters as they can be mounted on both small and large tractors, loaders and excavators due to their low weight.



**i STRONG ARGUMENTS:**

- Perfect cutting quality of branches and twigs
- Fast Frequency Cut System, between 200 and 400 cuts/min
- Fingers with ball ends prevent branches from getting stuck
- Fast replaceable blade with “fluted” bolts



# ROTARY HEDGE CUTTER RC 102 - 162

↑  
m  
1.0-1.6

cm  
< 4

km/h  
2.5

kg  
100-200



ROTARY HEDGE CUTTER RC	102	132	162
Working width (m)	1.0	1.3	1.6
Branch thickness (cm)	2	3	4
Driving speed (km/h)	2.5	2.5	2.5
Weight (kg)	100	150	200
Hydraulic connections	1 x DA + 1 x drain		
Minimum oil flow (l/min)	25	40	50



## ROTARY HEDGE CUTTER RC 102, 132 & 162

Save time and resources with our Rotary Hedge Cutter RC series which cuts and shreds hedges and bushes in the same workflow. The hedge debris can be left on the ground for decay as it is crushed into a thousand small pieces.

The hydraulic hedge trimmer attachment can be mounted on tractors, loaders and excavators. It is used by landscape gardeners, agricultural contractors and municipalities.



### **i** STRONG ARGUMENTS:

- Perfect cutting quality
- Reduction of diseases in the hedge
- No expenditures for disposal of the cut-off material
- Minimal wear and maintenance costs
- The enclosed cutter housing improves safety
- Low noise level which reduces noise nuisance



# CUTTERBAR HS 172 - 242



PLASTIC GUIDING OF THE CUTTER BAR



DOUBLE-SHARPENED BLADES



HD PLANETARY GEARBOX WITH CAST IRON ENGINE



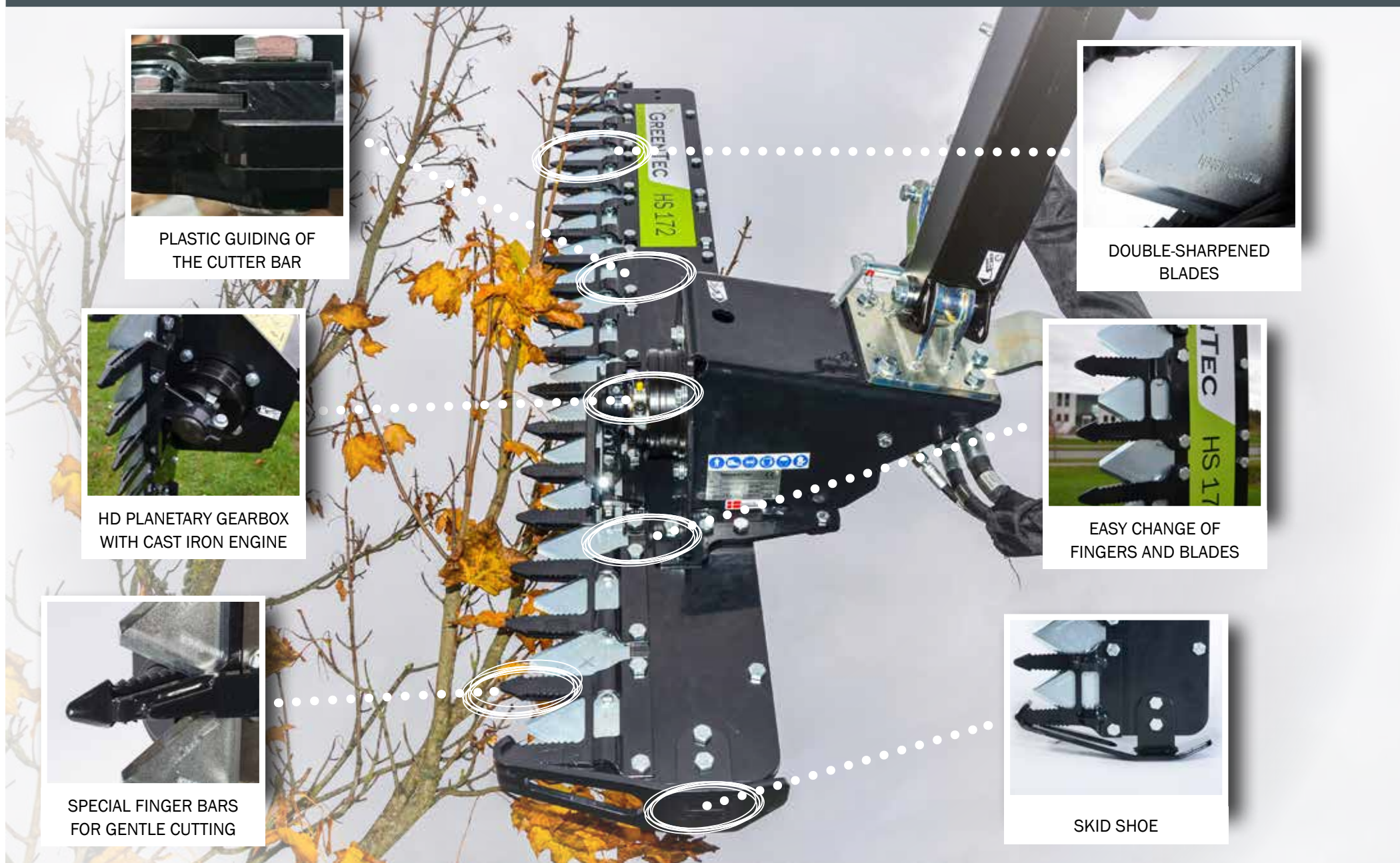
EASY CHANGE OF FINGERS AND BLADES



SPECIAL FINGER BARS FOR GENTLE CUTTING



SKID SHOE







CUTTERBAR HS	172	212	242
Working width (m)	1.7	2.1	2.4
Branch thickness (cm)	6	6	6
Driving speed (km/h)	5	5	5
Weight (kg)	120	132	145
Hydraulic connections	1 x DA	1 x DA	1 x DA
Minimum oil flow (l/min)	40	50	50



## CUTTERBAR HS 172, 212 & 242

Our Cutterbar HS series is the most versatile hedge trimmer attachment in our range. It is lightning fast as you can maintain a speed of 5 km/h.

The HS series also have the highest cutting capacity for a hedge trimmer. It can cut branches up to 6 cm in thickness and leave a nice and polished cutting result due to its specially shaped fingers.

The smallest model in the HS series is suitable for skid steers, front end loaders, compact tractors and mini excavators. The other models can be mounted on medium-sized and large tractors, loaders and excavators.



### **i** STRONG ARGUMENTS:

- Perfect cutting quality of branches and twigs up to 6 cm
- Special finger bars for gentle cutting
- Double-sharpened blades that provide low power requirements and high capacity
- Easy change of fingers and blades
- HD planetary gearbox with cast iron engine







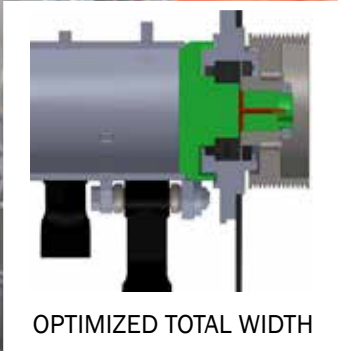


# **GRASS MOWING**

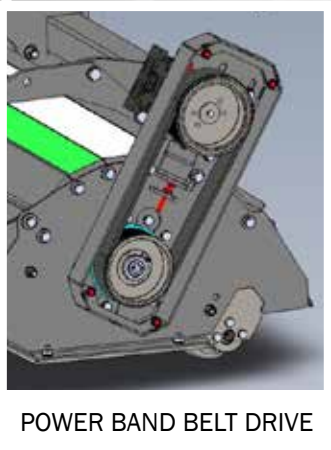
**MAINTAIN GRASS AND SHRUBS EFFICIENTLY**



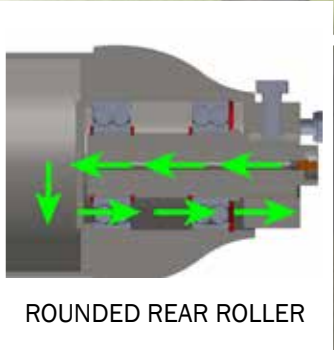
# FLAIL MOWER FR 92 - 162



OPTIMIZED TOTAL WIDTH



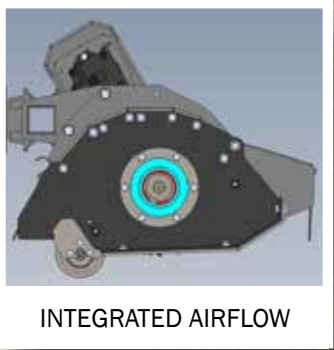
POWER BAND BELT DRIVE



ROUNDED REAR ROLLER



OPTIMIZED SHAPE OF FLAILS



INTEGRATED AIRFLOW



DOUBLE SPIRAL ROTOR



# FLAIL MOWER FR 92 & 112



↔  
m  
0.9-1.1

✂  
cm  
< 4

km/h  
5-7

kg  
138-144

FLAIL MOWER FR	92	112
Working width (m)	0.9	1.1
Branch thickness (cm)	4	4
Driving speed (km/h)	5-7	5-7
Weight (kg)	138	144
Hydraulic connections	1 x DA + 1 x drain	
Minimum oil flow (l/min)	40	40



## FLAIL MOWER FR 92 & 112

Our Flail Mower FR 92 & 112 provides a beautiful finish even when challenged with overgrown thickets and bushes. It is perfect for areas with limited space, such as grass mowing at bikeways, parks and residential zones. The machine has an incredible suction power whereby grass and shrubs are quickly mowed.

The FR 92 & 112 can be mounted on small vehicles, such as compact tractors, wheel loaders, skid steer loaders, telehandlers and mini excavators.



### **i** STRONG ARGUMENTS:

- Integrated Airflow for higher effect
- Optimized total width
- Power Band belt drive
- Strenx 700 steel construction
- Optimized shape of flails



# FLAIL MOWER FR 122 & 162



↔  
m  
1.2-1.6

↘  
cm  
< 4

km/h  
5-7

kg  
320-360



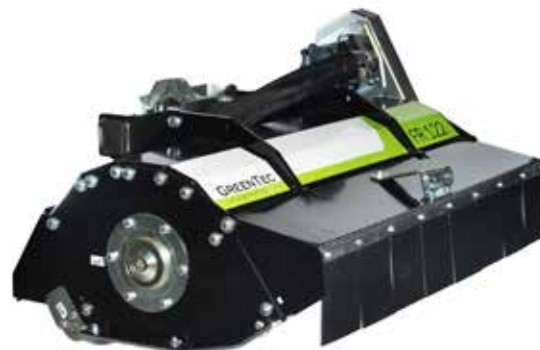
FLAIL MOWER FR	122	162
Working width (m)	1.2	1.6
Branch thickness (cm)	4	4
Driving speed (km/h)	5-7	5-7
Weight (kg)	320	360
Hydraulic connections	1 x DA + 1 x drain	
Minimum oil flow (l/min)	85	85



## FLAIL MOWER FR 122 & 162

Maintain grass and shrubs in the side of roads, verges, ditches and slopes with our Flail Mower FR 122 & 162. The machine is equipped with powerful flails that pulverize thick grass, small branches and other vegetation up to 4 cm in thickness.

The FR 122 & 162 can be mounted on large and medium-sized vehicles, such as tractors and excavators.



- i STRONG ARGUMENTS:**
- Integrated Airflow for higher effect
  - Optimized total width
  - Power Band belt drive
  - Strenx 700 steel construction
  - Optimized shape of flails



# FLAIL MOWER FR 122 VB



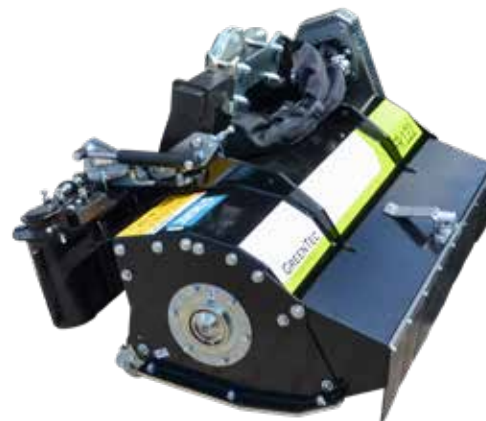
FLAIL MOWER FR	122 VB
Working width (m)	1.2
Branch thickness (cm)	4
Driving speed (km/h)	5-7
Weight (kg)	385
Hydraulic connections	1 x DA + 1 x drain
Minimum oil flow (l/min)	85



## FLAIL MOWER FR 122 VB

Our Flail Mower FR 122 VB is suitable for mowing embankments and ditches near water areas, such as streams, creeks, lakes, rivers, canals and dams. The hydraulic belt makes sure that the cut-off material does not end up in the water by launching it the opposite way towards the top of the bank. This will prevent overflowing and protect the pumping stations.

The FR 122 VB can be mounted on large and medium-sized vehicles, such as tractors and excavators.



### **i** STRONG ARGUMENTS:

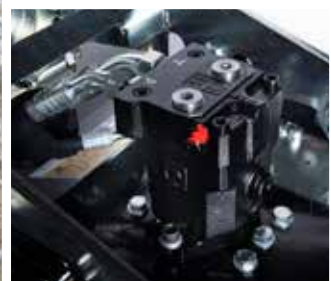
- Integrated Airflow for higher effect
- Optimized total width
- Power Band belt drive
- Strenx 700 steel construction
- The conveyor belt can drive both ways



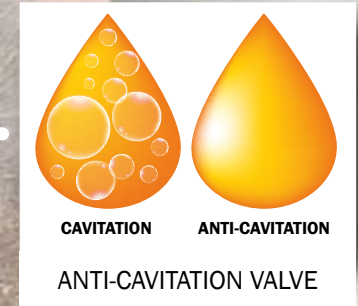
# ROTARY CRUSHER RX 133



BLADES OR CHAINS



CONTINUOUS DUTY MOTOR



PRESSURE-REGULATED FRONT SHIELD



RUBBER FLAP KIT



REINFORCED CONSTRUCTION





↔  
m  
1.3

↙  
cm  
< 7

km/h  
5

kg  
350

ROTARY CRUSHER RX	133
Working width (m)	1.3
Branch thickness (cm)	7
Driving speed (km/h)	5
Weight (kg)	350
Hydraulic connections	1 x DA + 1 x drain
Oil flow (l/min)	85-110



## ROTARY CRUSHER RX 133

Our RX 133 is specially developed for mowing grass and shrubs in extreme conditions.

You can choose between two robust cutting systems, chains or blades. The chains are used in stony conditions. The powerful blades have suction effect and are suitable for shrubs and bushes.

The RX 133 can be mounted on large vehicles, such as tractors and excavators.



### **i** STRONG ARGUMENTS:

- Crushes and shreds branches
- Strenx 700 high strength steel
- Reinforced construction
- Low maintenance costs
- Pressure-regulated front shield



# BARRIER MOWER RI 60 & 82





# BARRIER MOWER RI 60 & 82

  
m  
0.6-0.8

  
km/h  
3-4

  
kg  
45-58



BARRIER MOWER RI	60	82
Working width (m)	0.6	0.8
Total height incl. motor (cm)	35	30
Driving speed (km/h)	3	4
Weight (kg)	45	58
Hydraulic connections	1 x DA + 1 x drain	
Minimum oil flow (l/min)	40	40
Alternative oil flow (l/min)	25	25



## BARRIER MOWER RI 60 & 82

Our Barrier Mower RI 60 & 82 is the ideal solution for maintenance of fence lines, guardrails, orchards and vineyards. The fence line mower goes around every obstacle whether that be fence posts, crash barriers or trees.



### STRONG ARGUMENTS:

- Support disc
- Good ground following capability
- Spring loaded arm system
- Rubber protection around the plate
- Blades perform a uniform cutting result



# GRASS CUTTERBAR S 165 - 240



↔  
m  
1.65-2.4

↘  
cm  
< 1

km/h  
3

kg  
70-102

GRASS CUTTERBAR S	165	190	210	240
Working width (m)	1.65	1.9	2.1	2.4
Branch thickness (cm)	1	1	1	1
Driving speed (km/h)	3	3	3	3
Weight (kg)	70	82	92	102
Hydraulic connections	1 x DA	1 x DA	1 x DA	1 x DA
Minimum oil flow (l/min)	34	34	34	34



## GRASS CUTTERBAR S 165, 190, 210 & 240

Our Grass Cutterbar S series is a durable machine that reduces damage to insects and plant flora. It is used for grass mowing where a fine spread and pulverization of the material is not required.

The S series can be mounted on most tractors and loaders through boom mower arms.



### **i** STRONG ARGUMENTS:

- Environmentally friendly grass cutting
- Strong build
- Hydraulic driven
- Can be delivered as right or left working
- Bidux blade system



# LEAF BLOWER LG



## LEAF BLOWER LG

The Leaf Blower LG is used for keeping roads, sidewalks and bike paths free of leaves, grass and other debris. The machine is often used in combination with a hedge trimmer or flail mower. It enables you to cut hedges, shrubs and grass in verges while cleaning up the mess on the fly.

The Leaf Blower LG can be integrated directly in our Spider and Scorpion boom mowers.



### **i** STRONG ARGUMENTS:

- High-pressure blower made of aluminum
- Very high airflow
- Uses the hydraulics of the tractor 40 l/min
- External mounting or integrated with the Spider/Scorpion boom mowers









## **OTHER TOOLS**

### **MAINTAIN ROADS AND DITCHES**



# ROTARY DITCH CLEANER GR 70



0.65 m

1 km/h

220 kg

ROTARY DITCH CLEANER GR	70
Working width (m)	0.65
Driving speed (km/h)	1
Weight (kg)	220
Hydraulic connections	1 x DA + 1 x drain
Minimum oil flow (l/min)	85



## ROTARY DITCH CLEANER GR 70

Cleaning of ditches and streams are made easy with our Rotary Ditch Cleaner GR 70 which is equipped with 6 blades. Sludge and weeds are removed and thrown towards the slope. It minimizes the risk of flooding at the location.

The GR 70 can be mounted on large and medium-sized tractors through a boom mower arm.



### **i** STRONG ARGUMENTS:

- Efficient cleaning of ditches
- Oil engine
- Skid shoe
- Adjustable front



# WEED CLEARING BRUSH BR 70 & 90



m  
0.7-0.9

km/h  
1

kg  
55-230

WEED CLEARING BRUSH BR	70	90
Working width (m)	0.7	0.9
Driving speed (km/h)	1	1
Weight (kg)	55	230
Hydraulic connections	1 x DA	1 x DA + 1 x drain
Minimum oil flow (l/min)	25	50



## WEED CLEARING BRUSH BR 70 & 90

The Weed Clearing Brush BR 70 & 90 effectively cleans sidewalks, gutters, bicycle paths, courtyards, anywhere where there are tiles, asphalt or paving stones. The strong steel brushes easily remove dirt, sludge and weeds.



**i STRONG ARGUMENTS:**

- Powerful and effective
- Hard steel brushes
- Hydraulic driven









# **MOUNTING OPTIONS**

## **BOOM MOWERS OR MULTI CARRIERS**





# BOOM MOWER SCORPION



MADE IN DENMARK





## SCORPION 4 S & PLUS



The Scorpion 4 series consists of compact reach mowers intended for smaller tractors, implement carriers, skid steer loaders and the like. The models are available in horizontal working widths of 3.3 and 4.3 m.

The Scorpion 4 series is built in a modular system and available in different versions.

A wide range of attachment tools makes the Scorpion a popular choice throughout the entire year.

SCORPION	330-4 S	430-4 S	330-4 PLUS	430-4 PLUS
Horizontal reach (m)	3.3	4.3	3.3	4.3
Vertical reach (m)	3.1	4.1	3.1	4.1
Transport width (m)	1.8	2.2	1.8	2.2
Mounting	F/B/R	F/B/R	F/B/R	F/B/R
Hydraulic system	52 l/min @ 210 bar		52 l/min @ 210 bar	
Min. size of tractor (kg)	1,500	2,000	1,650	2,200
Weight (kg)	570	590	610	630

Mounting: F = Front mounted, B = Rear mounted, R = Reverse mounted

## SCORPION 6 S & 6 PLUS



The Scorpion 6 series is available in four models and is rear mounted. The Scorpion 6 series is designed for medium-sized tractors with a weight of at least 4000 kg (530-6).

The patented 4-point mounting system connects the tractor and the boom mower and gives 100% stability. It is also easy to mount. The Hybrid arm system provides great flexibility and increases the work capacity and environment. The Danfoss hydraulic system on the 6 PLUS models ensures high reliability and output. Furthermore, the joystick is easy to operate.

	530-6 S	630-6 S	530-6 PLUS	630-6 PLUS
Horizontal reach (m)	5.3	6.3	5.3	6.3
Vertical reach (m)	5.1	6.1	5.1	6.1
Transport width (m)	2.2	2.2	2.2	2.2
Mounting	B	B	B	B
Hydraulic system	115 l/min @ 230 bar		125 l/min @ 315 bar	
Min. size of tractor (kg)	4,000	5,000	4,000	5,000
Weight (kg)	1,235	1,270	1,370	1,395

## SCORPION 8 S & 8 PLUS



The Scorpion 8 series represents the largest boom mowers in the Scorpion range. It consists of four models.

The Scorpion 8 series is suitable for large tractors with a weight of 7,000 kg and above (730-8).

All scorpion models are manufactured in Strenx 700 high strength steel. You truly see the greatness of the Strenx steel at the longer reaches as it reduces the weight while increasing the strength.

Scorpion's 4-point suspension is mounted in the tractor's three-point suspension. It provides a stable installation.

	730-8 S	830-8 S	730-8 PLUS	830-8 PLUS
Horizontal reach (m)	7.3	8.3	7.3	8.3
Vertical reach (m)	7.1	8.1	7.1	8.1
Transport width (m)	2.4	2.5	2.4	2.5
Mounting	B	B	B	B
Hydraulic system	115 l/min @ 230 bar		125 l/min @ 315 bar	
Min. size of tractor (kg)	7,000	8,000	7,000	8,000
Weight (kg)	1,475	1,505	1,600	1,630





# SCORPION - BASIC FRONT



 **MADE IN DENMARK**







## SCORPION 6 S

**19**  
Tools

↔  
m  
5.3-6.3

↑  
m  
5.1-6.1

kg  
5000-6000

**2**  
years  
WARRANTY



With the Scorpion Basic Front, GreenTec has developed a complete boom mower series that uses the hydraulic system of the tractor or loader as the only source of energy.

Scorpion 530 and 630 - Basic Front are delivered in two variants, either with 85 or 115 l/min @ 230 bar as oil requirement. For hedge and tree trimming with either a quadsaw or cutterbar, the 85 l/min variant is fully sufficient. For grass mowing, on the other hand, they need 115 l/min @ 230 bar, as a continuous oil flow.

SCORPION - BASIC FRONT	530-6 S	630-6 S
Horizontal reach (m)	5.3	6.3
Vertical reach (m)	5.1	6.1
Transport width (m)	2.2	2.2
Mounting	F	F
Hydraulic system	115 l/min @ 230 bar	
Minimum size of vehicle (kg)	5,000	6,000
Weight (kg)	985	1,020

Mounting: F = Front mounted, B = Rear mounted, R = Reverse mounted

## SCORPION 4 S & 4 PLUS

**13**  
Tools

↔  
m  
3.3-4.3

↑  
m  
3.1-4.1

kg  
2250-3000

**2**  
years  
WARRANTY



The Scorpion 4 series consists of compact reach mowers intended for smaller tractors, implement carriers, skid steer loaders and the like. The models are available in horizontal working widths of 3.3 and 4.3 m.

The Scorpion 4 series is build in a modular system and available in different versions.

A wide range of attachment tools makes the Scorpion a popular choice throughout the entire year.

	330-4 S	430-4 S	330-4 PLUS	430-4 PLUS
Horizontal reach (m)	3.3	4.3	3.3	4.3
Vertical reach (m)	3.1	4.1	3.1	4.1
Transport width (m)	1.8	2.2	1.8	2.2
Mounting	F	F	F	F
Hydraulic system	52 l/min @ 210 bar		52 l/min @ 210 bar	
Minimum size of vehicle (kg)	2,250	3,000	2,250	3,000
Weight (kg)	500	520	540	560







# BOOM MOWER SPIDER



 **MADE IN DENMARK**







## SPIDER 6 PLUS

**20**  
Tools

←→  
m  
5.2-6.2

↑↓  
m  
5.1-6.1

kg  
5000-6000

**2**  
years  
WARRANTY



The two smallest models, 520 and 620, are delivered either as front or rear/reverse mounted.

The working range of both the arm and the cutting head is 270°. This results in unparalleled flexibility, which makes it possible to move the cutting head in any position - right, left, front or back.

SPIDER	520-6 PLUS	620-6 PLUS
Horizontal reach (m)	5.2	6.2
Vertical reach (m)	5.1	6.1
Transport width (m)	2.2	2.2
Mounting	F/B/R	F/B/R
Hydraulic system	125 l/min @ 315 bar	
Minimum size of tractor (kg)*	5,000	6,000
Weight (kg)	2,170	2,195

Mounting: F = Front mounted, B = Rear mounted, R = Reverse mounted  
\* Indicative. Add 50% extra weight when front mounted

## SPIDER 8 PLUS

**20**  
Tools

←→  
m  
7.2-8.2

↑↓  
m  
7.1-8.1

kg  
7000-8000

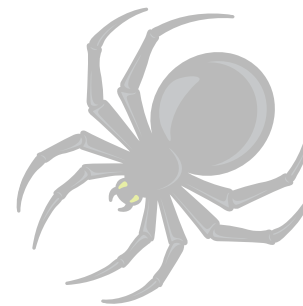
**2**  
years  
WARRANTY



The two largest models, 720 and 820, are delivered as rear/reverse mounted.

The Spider series' hydraulic system and joystick have been developed in close collaboration with Danfoss, which supplies all components for this. The main functions of the arm are operated logically via the joystick where the 4 functions are proportional.

	720-8 PLUS	820-8 PLUS
Horizontal reach (m)	7.2	8.2
Vertical reach (m)	7.1	8.1
Transport width (m)	2.4	2.4
Mounting	B/R	B/R
Hydraulic system	125 l/min @ 315 bar	
Minimum size of tractor (kg)*	7,000	8,000
Weight (kg)	2,355	2,385





# MULTI CARRIER PUMA



 **MADE IN DENMARK**





## PUMA 2303



**6**  
Tools

**l/min**  
25

**AHS 45°**

**2**  
years  
WARRANTY

The Multi Carrier Puma 2303 can easily be mounted on smaller vehicles, such as skid steer loaders and compact tractors with a minimum weight of 1,200 kg.

Grass mowing, hedge cutting, shelterbelt maintenance and cleaning of pavements are easily done with this small, versatile and flexible machine.

## PUMA 2803 & 2803 TELE



**7**  
Tools

**l/min**  
40

**AHS 45°**

**2**  
years  
WARRANTY

Puma 2803 is a further development of the well-known HXF 2802. The attachment frame is mounted in a few minutes on front loaders or large skid steer loaders.

A huge selection of tools makes hedge and tree trimming a breeze. The Puma can also be fitted with the Barrier Mower RI 82, whereby grass mowing is also possible. Puma 2803 requires 40 l/min oil supply - in return you get an unrivaled capacity, regardless of which tool is chosen. An electric remote control is offered as optional equipment.

## PUMA 3303 & 3303 TELE



**8**  
Tools

**l/min**  
50

**AHS 45°**

**2**  
years  
WARRANTY

Puma 3303 is the largest model in the series and is mounted on telehandlers, large front loaders and excavators. The machine is produced in high-strength steel, which equals a stronger machine and reduced weight.

As standard, all Pumas have automatic hydraulic security with pre-pressure. This means that you can maintain a constant driving speed. When encountering a large branch, the arm retreats slightly and then moves forward again when the branch has been cut. A large range of tools is offered for every task when it comes to tree maintenance.

PUMA	2303
Reach, center of vehicle (m)	1.8
Transport width (m)	1.3
Minimum oil flow	25 l/min @ 180 bar
Weight without brackets (kg)	110

	2803	2803 TELE
Reach, center of vehicle (m)	2.2	1.4 - 2.2
Transport width (m)	2.0	2.4
Minimum oil flow	40 l/min @ 180 bar	40 l/min @ 180 bar
Weight without brackets (kg)	150	175

	3303	3303 TELE
Reach, center of vehicle (m)	2.5	1.6 - 2.5
Transport width (m)	2.2	2.5
Minimum oil flow	50 l/min @ 180 bar	50 l/min @ 180 bar
Weight without brackets (kg)	200	230



# MULTI CARRIER FOX

MADE IN  
DENMARK





# MULTI CARRIER FOX



**2**  
Tools

**l/min**  
25-40

**4**  
Levels

MULTI CARRIER	FOX
Reach from center of vehicle to RI 82	128 - 188 cm
Standard mounting options	Cat. 1/2, Euro brackets or universal plate
Weight without brackets (kg)	115
Hydraulic connections	1 x DA + 1 x drain
Minimum oil flow (l/min)	25 or 40



## MULTI CARRIER FOX

The Multi Carrier FOX is specially developed to carry our Barrier Mower RI 60 & 82. It is an ideal solution for people who are interested in mowing grass under fences, guard-rails or around trees in orchards.

The FOX has many mounting options as it can be either front or rear mounted on tractors through category 1 or 2. The Multi Carrier FOX can also be front mounted on loaders. All that is required is an oil flow of 25 or 40 liters per minute.

Note that the Multi Carrier FOX is delivered unassembled. One should expect to use approximately 2 hours on final assembly.



**i STRONG ARGUMENTS:**

- Many mounting options for both tractors and loaders
- Assembled as either right or left versions
- Adjustable arm with reaches from 128 to 188 cm
- Support legs for parking the machine
- Oil flow divider
- Low weight



# TECHNICAL SPECIFICATIONS



	RO. MULCHER	QUADSAW				TWINSAW		
ATTACHMENT TOOLS:	RM 232	LRS 1402	LRS 1602	LRS 2002	LRS 2402	LRS 1602	LRS 2002	LRS 2402
Working width (m)	2.3	1.4	1.6	2.0	2.4	3.2	4.0	4.8
Weight (kg)	310	48	110	198	239	260	510	639
Max. branch thickness (cm)	Ø4	Ø10	Ø12	Ø16	Ø21	Ø12	Ø16	Ø21
Max. driving speed (km/h)	4	5	5	5	5	5	5	5
Min. oil flow (l/min @ bar)	50@180	25@190	40@190	50@180	50@180	2 x 40@180	2 x 50@180	2 x 50@180
Alt. oil flow (l/min @ bar)	-	-	-	85@150	85@150	1 x 80@180	1 x 100@180	1 x 100@180
MOUNTING OPTIONS:								
PUMA/FOX	-	2303	2803	3303		-	-	-
SCORPION/SPIDER	6/8	4		6/8		-	-	-

	BARRIER MOWER		FLAIL MOWER					GRASS CUTTERBAR			
ATTACHMENT TOOLS:	RI 60	RI 82	FR 92	FR 112	FR 122	FR 122 VB	FR 162	S 165	S 190	S 210	S 240
Working width (m)	0.6	0.8	0.9	1.1	1.2	1.2	1.6	1.65	1.9	2.1	2.4
Weight (kg)	45	58	138	144	320	385	360	70	82	92	102
Max. branch thickness (cm)	-	-	Ø4	Ø4	Ø4	Ø4	Ø4	Ø1	Ø1	Ø1	Ø1
Max. driving speed (km/h)	3	4	5-7	5-7	5-7	5-7	5-7	3	3	3	3
Min. oil flow (l/min @ bar)	40@190	40@190	40@210	40@210	85@230 85@315	85@230 85@315	85@230 85@315	34@180	34@180	34@180	34@180
Alt. oil flow (l/min @ bar)	25@190	25@190	-	-	-	-	-	-	-	-	-
MOUNTING OPTIONS:											
PUMA/FOX	2303/2803/FOX		-	-	-	-	-	-	-	-	-
SCORPION/SPIDER	-	-	4		6/8		4/6/8		6/8		



CUTTERBAR			CUTTERBAR				ROTARY HEDGE CUTTER			CUTTERBAR		
HX 170	HX 230	HX 270	HL 152	HL 182	HL 212	HL 242	RC 102	RC 132	RC 162	HS 172	HS 212	HS 242
1.7	2.3	2.7	1.5	1.8	2.1	2.4	1.0	1.3	1.6	1.7	2.1	2.4
180	220	260	60	64	68	72	100	150	200	120	132	145
Ø11	Ø11	Ø11	Ø4	Ø4	Ø4	Ø4	Ø2	Ø3	Ø4	Ø6	Ø6	Ø6
2	2	2	2	2	2	2	2.5	2.5	2.5	5	5	5
50@190	50@190	50@190	20@190	25@190	25@190	25@190	25@190	40@190	50@180	40@190	50@190	50@190
-	-	-	32@190	40@190	40@190	40@190	-	-	-	-	-	-
3303			2303	2803		-	2303	2803	3303	2803	3303	
6/8			4				6/8			4	6/8	

ROTARY CRUSHER	DITCH CLEANER	WEED CLEARING BRUSH		LEAF BLOWER
RX 133	GR 70	BR 70	BR 90	LG
1.3	0.65	0.7	0.9	-
350	220	55	230	-
Ø7	-	-	-	-
5	1	1	1	-
85-110@210-315	85@315	25@190	50@190	-
-	-	-	-	-
6/8		2303	-	-
6/8		6/8		

GreenTec offers the widest selection of tools for landscape maintenance.

View more on:  
**[www.GreenTec.eu](http://www.GreenTec.eu)**



## OUR WARRANTY

GreenTec provides a 2-year warranty on all machines. See more on our website: [www.greentec.eu](http://www.greentec.eu)





DEALER:

We reserve the right to make technical changes. Technical information and images are approximated. VERSION 1.0 - 11/2023 EN