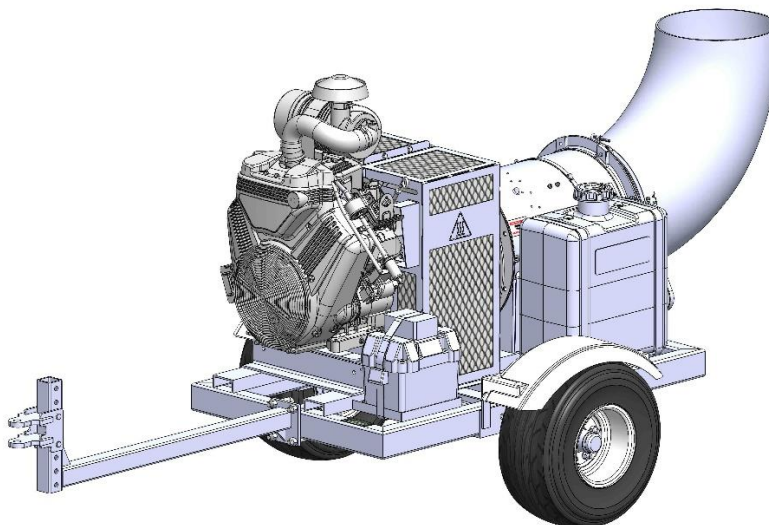




180 Zoar Valley Road • Springville, NY 14141 • Tel: (716) 592-2700 • Fax: (716) 592-2460 • BuffaloTurbine.com



## MEGA2 DEBRIS BLOWER MODEL # BT-MEGA2

<b>Control</b>	12V Wireless system w/ remote engine start /stop (no choke required), Throttle Control, 360° Nozzle Control and Auto Nozzle Position System
<b>Transmitter</b>	Hand held wireless transmitter with push button control (water resistant)
<b>Battery</b>	12V 350 CCA
<b>Machine Warranty</b>	10 Year Manufacturer Warranty
<b>Engine Warranty</b>	3 Year Warranty
<b>Frame Length (Skid Mount)</b>	48"
<b>Overall Length with Nozzle(Skid Mount)</b>	75"
<b>Overall Length with Nozzle</b>	112"
<b>Frame Width (Skid Mount)</b>	28"
<b>Overall Width Including Wheels</b>	48"
<b>Height</b>	39"
<b>Fuel Capacity</b>	8 gallons
<b>Weight</b>	460 lbs. (208kg)
<b>Input Power</b>	40hp EFI Engine
<b>Nozzle</b>	Aerospace Polymer Nozzle (optional aluminum nozzles are available)
<b>Outlet Size</b>	approx. 12"
<b>Maintenance Meter</b>	Hour Meter / Tachometer
<b>Tires</b>	18 x 8.50-8
<b>Trailer</b>	Bolt on trailer package with adjustable tongue
<b>Shipping Weight</b>	574 lbs. (260kg)
<b>Shipping Box Size</b>	53"(134.62cm) x 37"(93.98cm) x 49"(124.46cm)



**WARNING:** Cancer and Reproductive Harm – [www.P65Warnings.ca.gov](http://www.P65Warnings.ca.gov)