

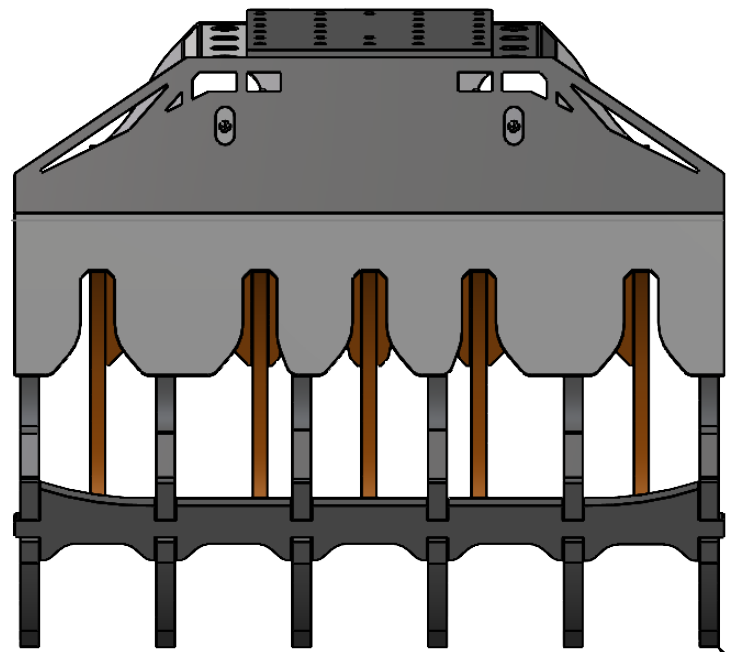
6 5 4 3 2 1

D

C

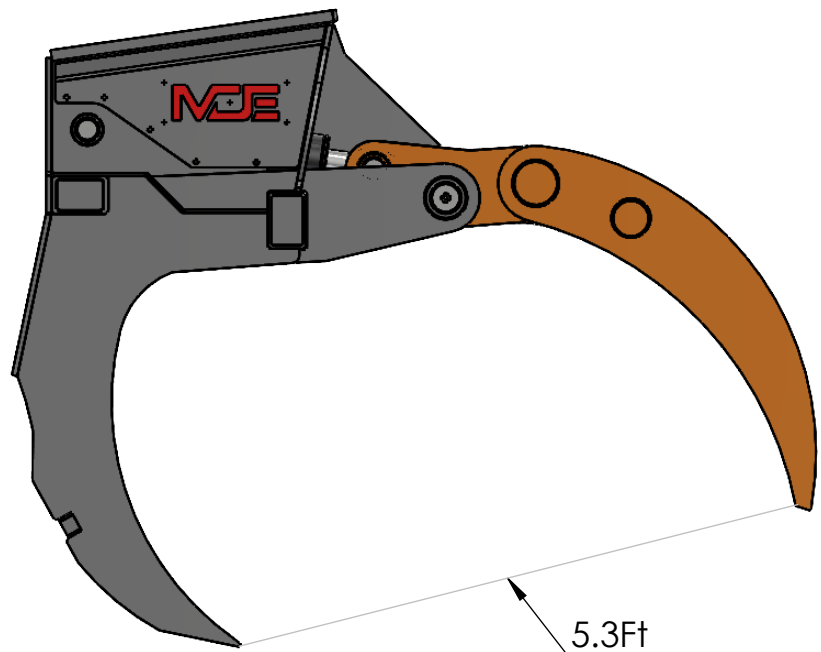
B

A

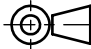


12inch between teeth


2 inch



5.3Ft

Part Number:	S1900A-0001
Material:	Material <not specified>
Part Type:	MDE Fabricated
Finish:	As Supplied
Sheet Metal Thickness:	mm
Weight:	3076.3 Kg
THIRD ANGLE PROJECTION 	All Dimensions in mm
	Drawing Scale: NTS

Description:
S1900



MDE Machinery
110 Seagahan Road
Collone
Co. Armagh
Northern Ireland
BT60 2BJ
+44 (0)2837600640
mark@mdemachinery.com

Confidential Document: This drawing and any information, or descriptive material set out herein, are confidential property, solely owned by MDE Machinery Ltd Confidential materials MUST NOT BE DISCLOSED, COPIED, LOANED in whole, or in part or used for any purpose without the prior written consent of MDE.		
Drawn by: Martin C	Drawn Date: 13/06/2024	
Approved by: Mark B	Sheet: 1 of 1	Revision: 00

6 5 4 3 2 1

D

C

B

A