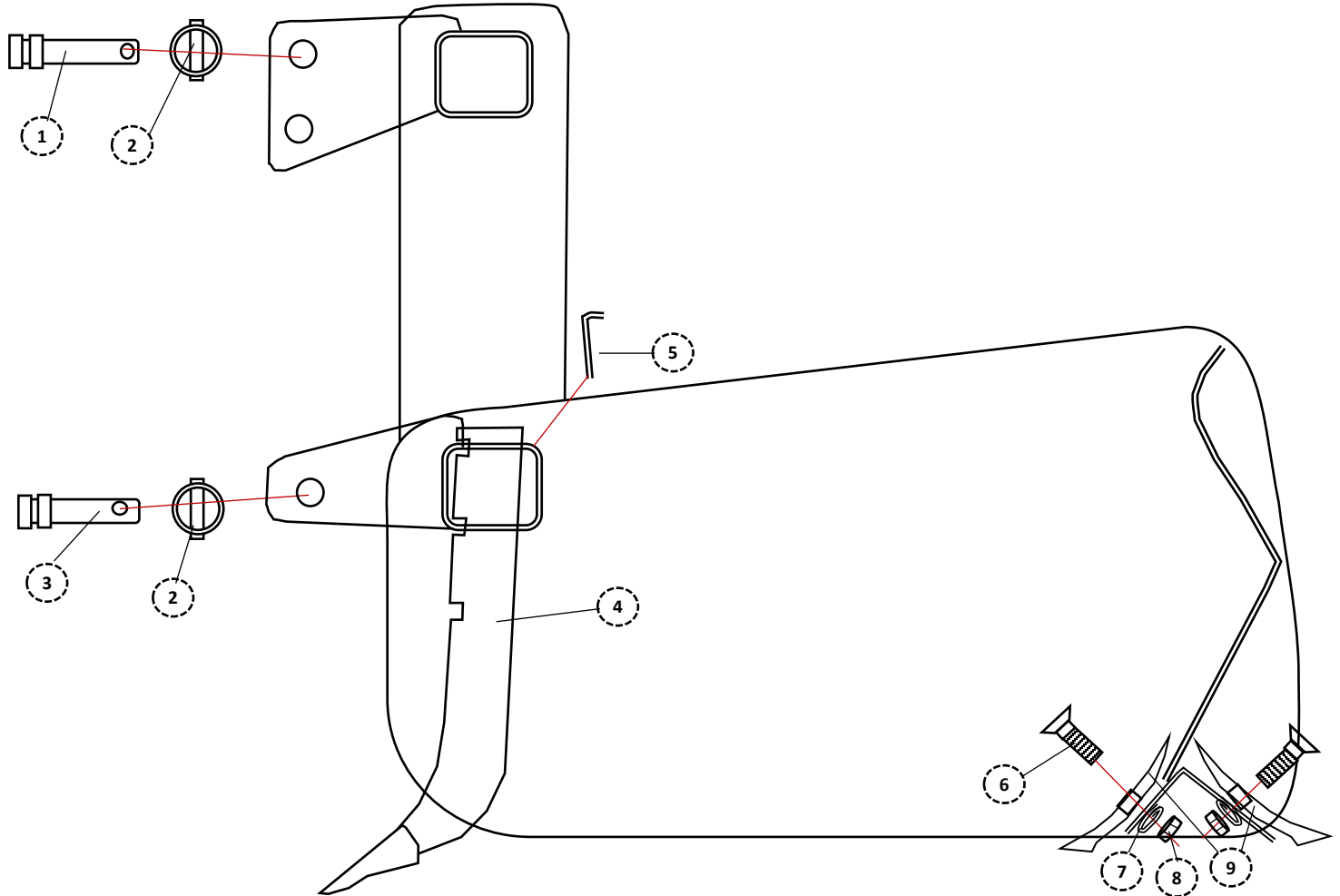


BOX SCRAPERS

BOX BLADES

EXPANDED PARTS INDEX



		48	54	60	66	72
1	P075500C1TL	CAT I TOP LINK	1	1	1	1
2	P716175LY	LYNCH PIN 7/16" X 1 3/4"	3	3	3	3
3	P078375C1D	CAT I HEAVY DUTY 7/8 X 3 3/4"	2	2	2	2
4	S1361B	3 NOTCH BEALL SHANK WITH TIP	4	4	4	5
5	SB0205800BL	SHANK WEAR PIN	4	4	4	5

		48	54	60	66	72
*6	B058200P	5/8 X 2" PLOW BOLTS	8	8	10	10
*7	W058L	5/8" LOCK WASHER	8	8	10	10
*8	N058H	5/8" HEX NUT	8	8	10	10
*	B058200PA	PLOW BOLT ASSEMBLY (3 Parts)	8	8	10	10
9	CE	CUTTING EDGE	2	2	2	2

PLEASE NOTE: The illustrations above are for reference only. SUPERIOR IMPLEMENTS reserves the right to change or correct part numbers, descriptions or dimensions at any time. If you have specific questions about parts not specified in the illustration above, please contact your SUPERIOR IMPLEMENTS authorized dealer.