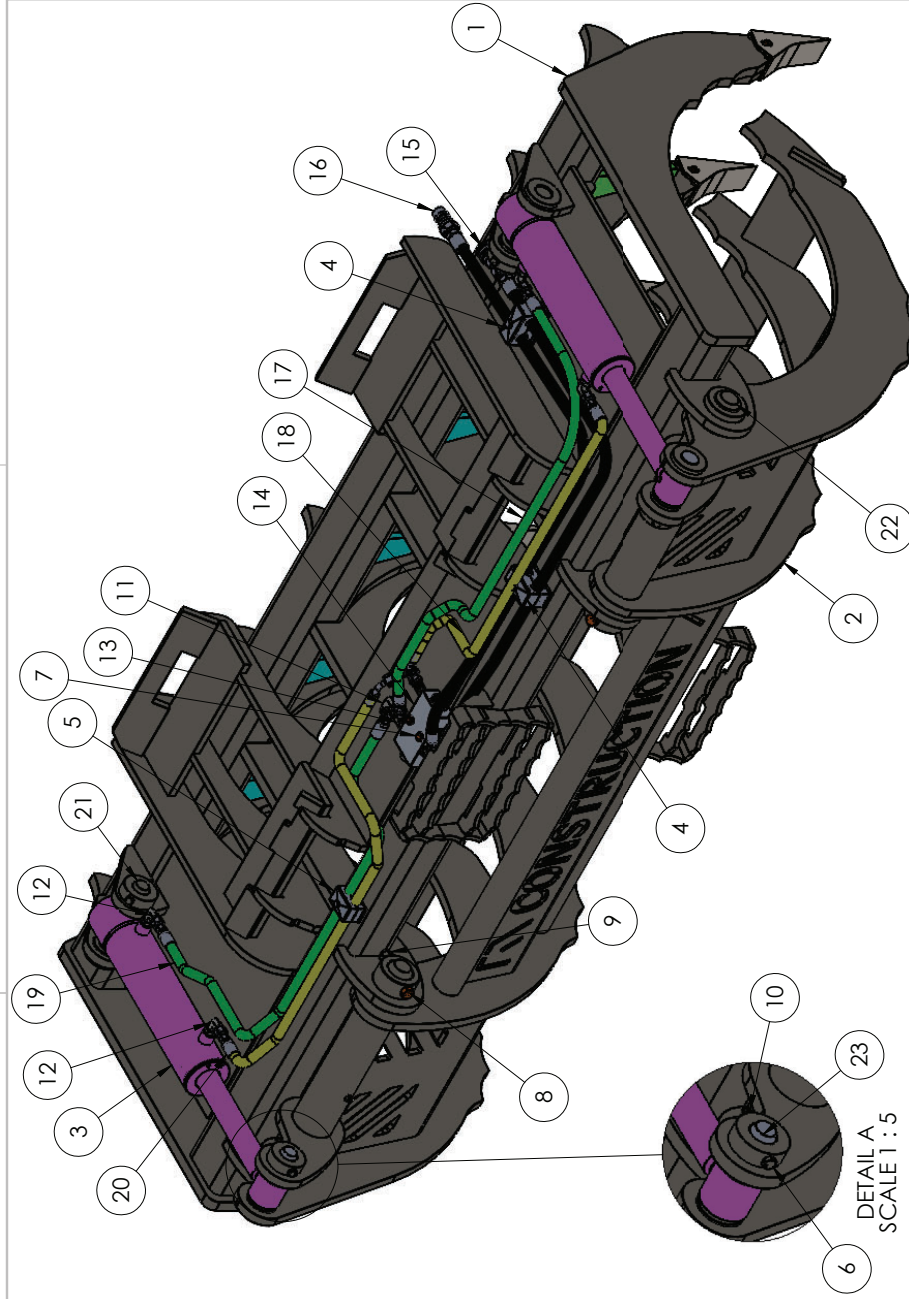


3 2 1

ITEM NO.	PART NUMBER	DESCRIPTION	QTY.
1	1RRGXD-80-00B	EXTREME DUTY ROOT RAKE GRAPPLE RAKE SUB-ASSEMBLY	1
2	1RRGL-00C	EXTREME DUTY ROOT RAKE LID ASSEMBLY	1
3	320409-6HCCCYP	BAILEY 320-409 CUSTOM-MADE CYLINDER	2
4	325275	3/4" DIA. HOSE CLAMP	2
5	3252T112	3/8" DIA. HOSE CLAMP	1
6	6HARB13	5/16-18 x 3" Lg. HEX-HEAD SCREW	4
7	6HARB44	5/16-18 x 1-1/2" Lg. HEX-HEAD SCREW GRADE 8 Y/Z	2
8	6HARB54	1/2-13 x 3-1/2" Lg. HEX CAP SCREW GRADE 8 Y/Z	2
9	6HARNU05	1/2-13 LOCK NUT	2
10	6HARNU36	5/16-18 STOVER LOCK NUT	4
11	6HHFADP29	90° ELBOW WITH SWIVEL NUT CONNECTOR	2
12	6HHFADP37	3/8" MALE JIC X 3/8" ADJUSTABLE O-RING 90° ELBOW ADAPTER	6
13	6HHFADP43	6804-06-06-06-T-ADAPTER	2
14	6HFFOT16	LOA-6-D-LOA CHECK VALVE	1
15	6HKCCS84JMP	CCS 84" HOSE KIT JUMPER HOSES	1
16	6HKCCS84JMP	CCS 84" HOSE KIT JUMPER HOSES	1
17	6HKRRG-HOSE A	EXTREME DUTY ROOT RAKE GRAPPLE CYLINDER HOSE A	1
18	6HKRRG-HOSE B	EXTREME DUTY ROOT RAKE GRAPPLE CYLINDER HOSE B	1
19	6HKRRG-HOSE C	EXTREME DUTY ROOT RAKE GRAPPLE CYLINDER HOSE C	1
20	6HKRRG-HOSE D	EXTREME DUTY ROOT RAKE GRAPPLE CYLINDER HOSE D	1
21	6PIBP114	EXTREME DUTY ROOT GRAPPLE CYLINDER HINGE PIN	2
22	6PIBP155	6PIBP155 1750 X 20500	2
23	6PIBP165	RRXD TOP CYLINDER PIN RGXD AND GBXD IP PIN	2



B

B

A

A

UNLESS OTHERWISE SPECIFIED:		NAME	DATE
DIMENSIONS ARE IN INCHES		ML	02/05/21
TOLERANCES:		DRAWN	CHECKED
FRACTIONAL: 1/16		ENG APPR.	
ANGULAR: MAX CH: 30° BEND ± 1°		MFG APPR.	
W/ FACE DECIMAL: ± .031		Q.A.	
THREE PLACE DECIMAL: ± .015		COMMENTS:	
INTERPRET GEOMETRIC TOLERANCING PER:			
MATERIAL:			
FINISH:			

TITLE: XTREME ROOT RAKE GRAPPLE ASSEMBLY

SIZE: DWG. NO. **B** 1RRGXD-80-00A

REV: SCALE: 1:8 | WEIGHT: SHEET 1 OF 2

REV.	DATE	WAS	CHG'D BY

3 2 1

PROPRIETARY AND CONFIDENTIAL
 THE INFORMATION CONTAINED IN THIS DRAWING IS THE SOLE PROPERTY OF CONSTRUCTION ATTACHMENTS. ANY REPRODUCTION IN PART OR AS A WHOLE WITHOUT THE WRITTEN PERMISSION OF CONSTRUCTION ATTACHMENTS IS PROHIBITED.