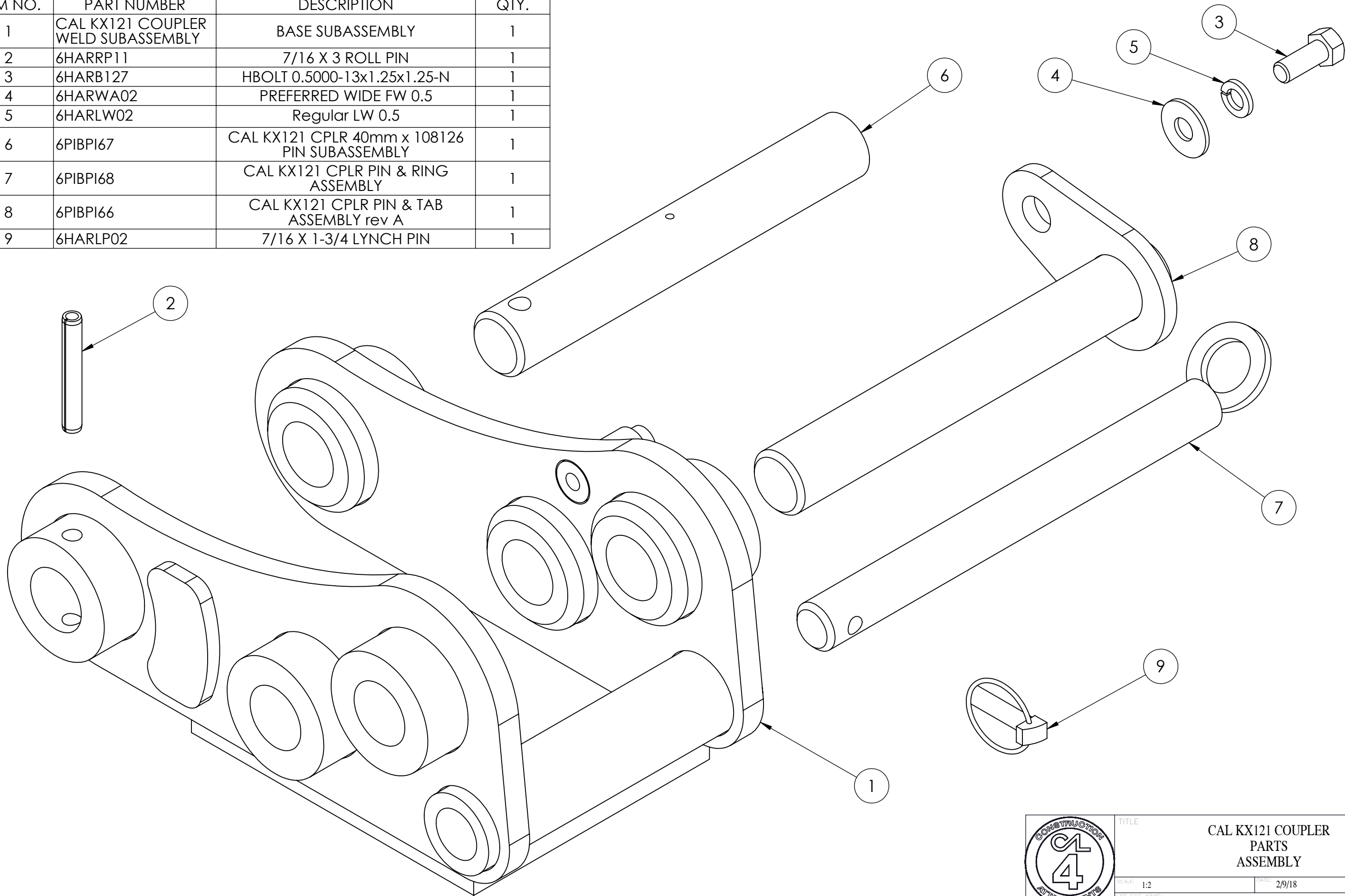


ITEM NO.	PART NUMBER	DESCRIPTION	QTY.
1	CAL KX121 COUPLER WELD SUBASSEMBLY	BASE SUBASSEMBLY	1
2	6HARRP11	7/16 X 3 ROLL PIN	1
3	6HARB127	HBOLT 0.5000-13x1.25x1.25-N	1
4	6HARWA02	PREFERRED WIDE FW 0.5	1
5	6HARLW02	Regular LW 0.5	1
6	6PIBPI67	CAL KX121 CPLR 40mm x 108126 PIN SUBASSEMBLY	1
7	6PIBPI68	CAL KX121 CPLR PIN & RING ASSEMBLY	1
8	6PIBPI66	CAL KX121 CPLR PIN & TAB ASSEMBLY rev A	1
9	6HARLP02	7/16 X 1-3/4 LYNCH PIN	1



TITLE CAL KX121 COUPLER PARTS ASSEMBLY		
SCALE: 1:2	DATE: 2/9/18	DRAWN BY: JMS
CAD FILE NAME: CAL KX121 COUPLER PARTS ASSEMBLY		