



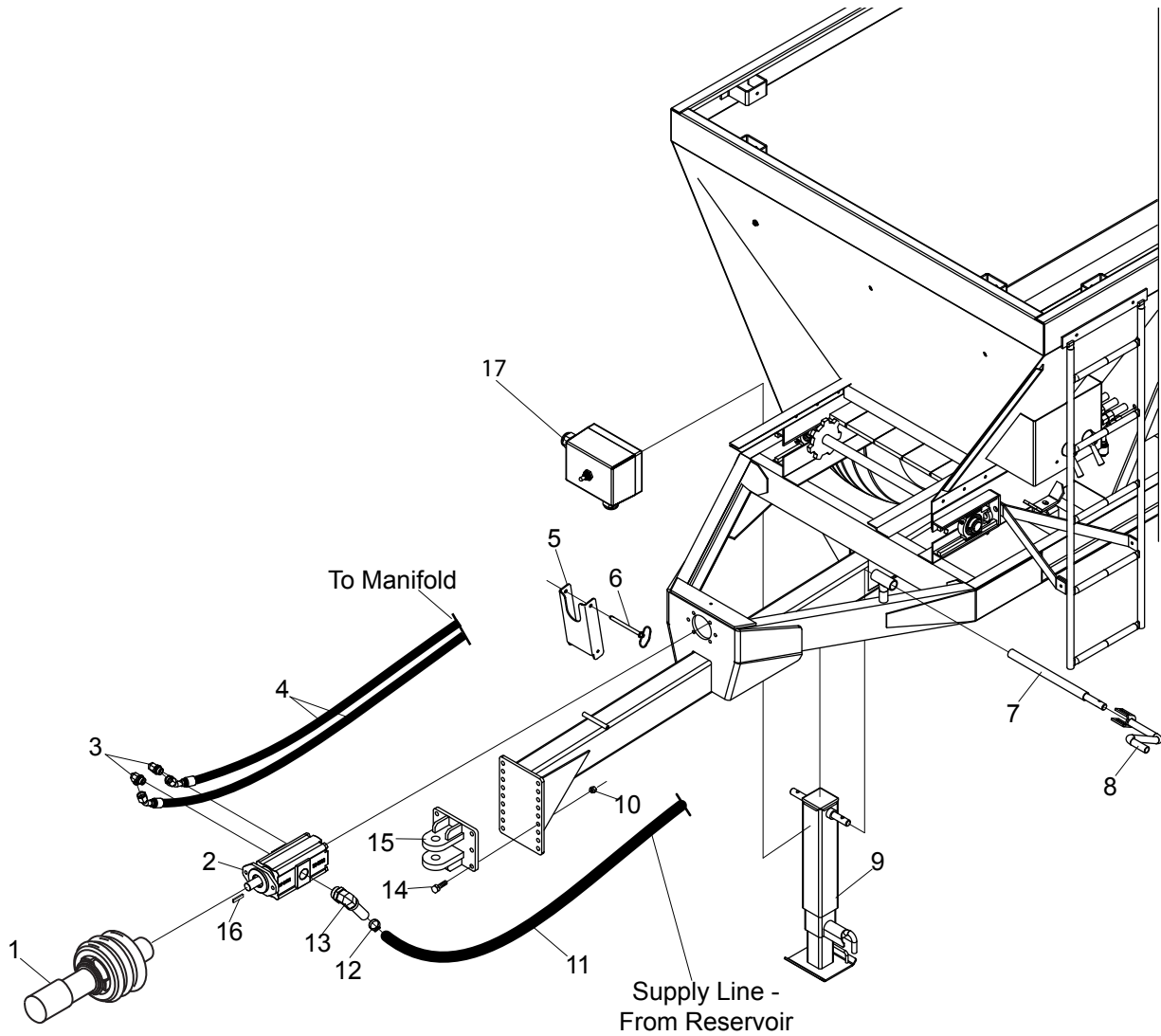
Lime Spreader

Model SL10

Illustrated Parts Breakdown

| | |
|----------------|--------------------------------------|
| Page 1 | Front End |
| Page 2 | Hydraulic System |
| Page 3 | Hydraulic Manifold |
| Page 4 | Switch Box |
| Page 5 | Floor & Apron |
| Page 6 | Axle Assembly |
| Page 7 | Apron Drive |
| Page 8 | Rear Gate |
| Page 9 | Gearbox Components S/N -95417 |
| Page 10 | Gearbox Components S/N 95417+ |
| Page 11 | Spinner Assembly |

Front End Assembly



| Ref# | Description | Part# |
|------|--|--------|
| 1 | Complete PTO Shaft, 1000 RPM | 830241 |
| | Complete PTO Shaft w/ CV joint, 1000 RPM | 830245 |
| | Complete PTO Shaft, 540 RPM | 830170 |
| | Complete PTO Shaft w/ CV joint, 540 RPM | 830244 |
| | Complete PTO Shield Kit without CV joint | 830628 |
| | Complete PTO Shield Kit with CV joint | 830612 |
| 2 | PTO Pump, 1000 RPM | 830164 |
| | Seal Kit for 1000 RPM Pump | 830347 |
| | PTO Pump, 540 RPM | 830236 |
| | Seal Kit for 540 RPM Pump | 830346 |
| 3 | Elbow Fitting, 12MJ x 12MB | 290022 |
| 4 | 72" Hose Assembly | 890366 |
| 5 | PTO Stand | 830114 |

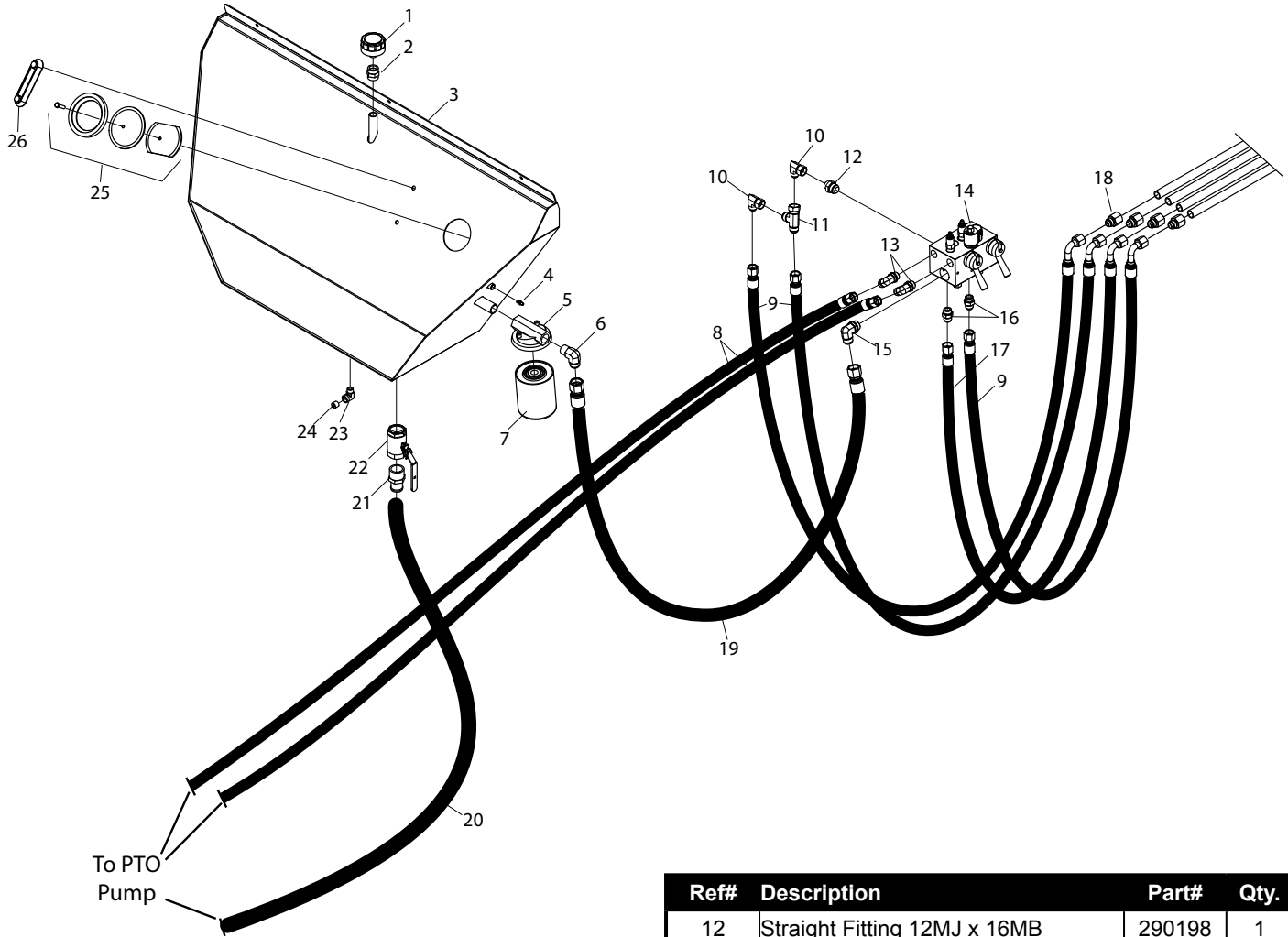
| Ref# | Description | Part# |
|------|----------------------------|--------|
| 6 | 1/2 x 6-1/2 Hitch Pin | 830243 |
| 7 | Jack Handle Extension | 100668 |
| 8 | Jack Handle | 100448 |
| 9 | Drop Leg Jack | 100427 |
| 10 | Hex Nut, 5/8 | 000970 |
| 11 | 36" Supply Hose | 890367 |
| 12 | Hose Clamp | 290042 |
| 13 | Elbow Fitting, 24HB x 24MB | 290027 |
| 14 | Hex Bolt, 5/8 x 2-1/2 | 000620 |
| 15 | Bolt-on Hitch | 830056 |
| 16 | Pump Shaft Key | 830344 |
| 17 | Switchbox | 830242 |
| 18 | Pump Shaft Key | 830344 |

[Previous Page](#)

[Next Page](#)

[Back to Index](#)

Hydraulics



| Ref# | Description | Part# | Qty. |
|------|--------------------------------|--------|------|
| 1 | Breather Cap | 290186 | 1 |
| 2 | Straight Fitting, 12FP x 12FP | 290189 | 1 |
| 3 | Hydraulic Tank | 830523 | 1 |
| 4 | Straight Fitting | 290036 | 1 |
| 5 | Filter Head | 830117 | 1 |
| 6 | Elbow Fitting, 16MJ x 16MP | 290023 | 1 |
| 7 | 10 Micron oil Filter | 830116 | 1 |
| 8 | 72" Hose Assembly | 890366 | 2 |
| 9 | 27" Hose Assembly | 830336 | 3 |
| 10 | Elbow Fitting, 12MJ x 12FJX | 290150 | 1 |
| 11 | T-Fitting, 12MJ x 12FJX x 12MJ | 290034 | 1 |

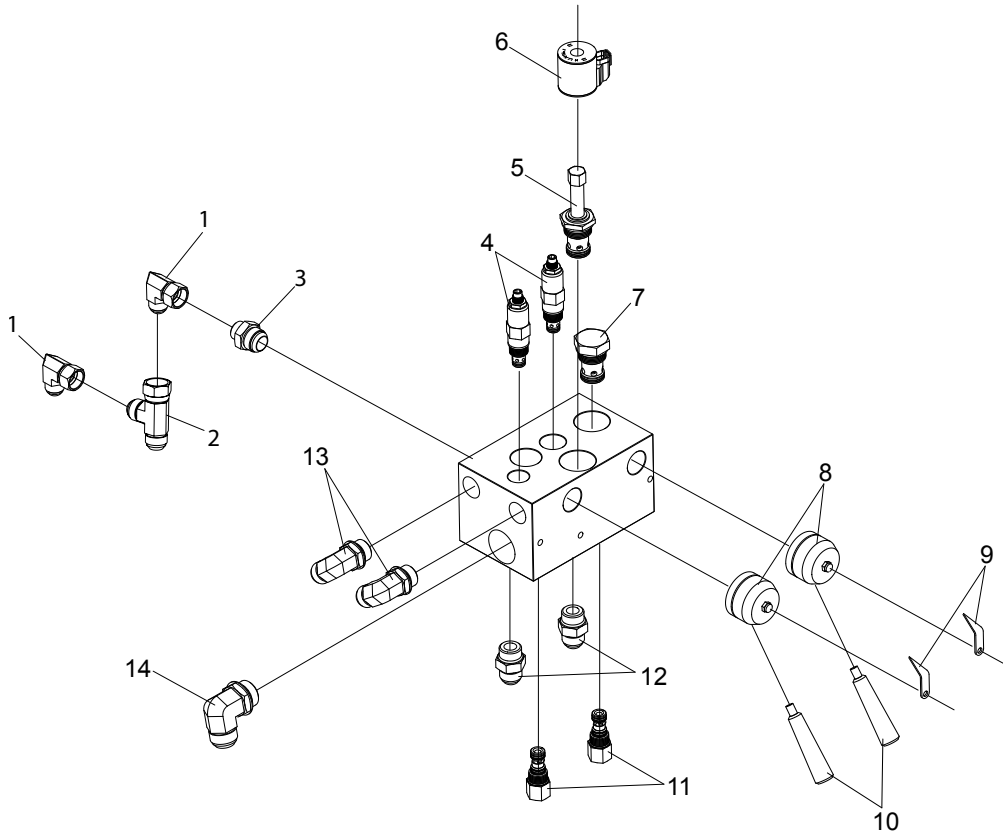
| Ref# | Description | Part# | Qty. |
|------|-------------------------------|--------|------|
| 12 | Straight Fitting 12MJ x 16MB | 290198 | 1 |
| 13 | Elbow Fitting, 12MJ x 12MB | 290022 | 2 |
| 14 | Manifold Assembly | 830150 | 1 |
| 15 | Elbow Fitting, 16MJ x 16MB | 290020 | 1 |
| 16 | Straight Fitting 12MJ x 12MB | 290065 | 2 |
| 17 | 29" Hose Assembly | 830337 | 1 |
| 19 | Straight Fitting, 12MJ x 12FP | 290019 | 4 |
| 20 | 40" Hose Assembly | 830339 | 1 |
| 21 | 36" Supply Hose | 890367 | 1 |
| 22 | Straight Fitting, 24HB x 24MP | 830366 | 1 |
| 23 | Ball Valve | 290026 | 1 |
| 24 | Elbow Fitting, 8MP x 8FP | 290016 | 1 |
| 25 | Pipe Plug | 290025 | 1 |
| 26 | Door, Hydraulic Reservoir | 290044 | 1 |
| 27 | Hydraulic Sight Guage | 290054 | 1 |

Previous Page

Next Page

Back to Index

Hydraulic Manifold



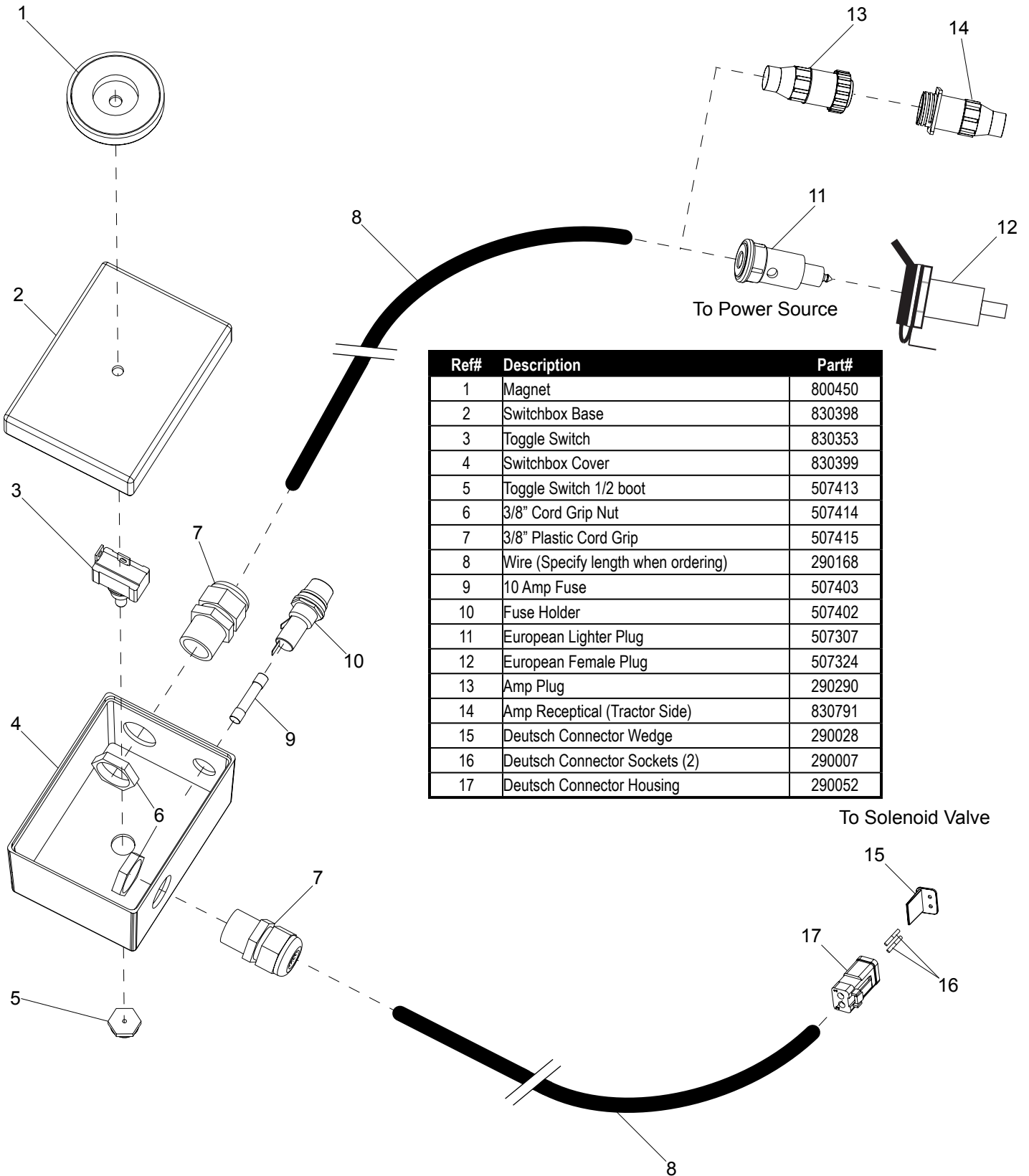
| Ref# | Description | Part# | Qty. |
|------|--------------------------------|--------|------|
| 1 | Elbow Fitting, 12MJ x 12FJX | 290150 | 1 |
| 2 | T-Fitting, 12MJ x 12FJX x 12MJ | 290034 | 1 |
| 3 | Straight Fitting, 12MJ x 16MB | 290198 | 1 |
| 4 | Relief Valve | 830322 | 2 |
| 5 | Solenoid Valve | 830320 | 1 |
| 6 | Coil, Solenoid Valve | 830325 | 1 |
| 7 | Check Valve | 830321 | 1 |
| 8 | Valve w/ Handle | 830324 | 2 |
| 9 | Valve Indicator | 830136 | 2 |
| 10 | Valve Handle | 830162 | 2 |
| 11 | Directional Valve | 806140 | 2 |
| 12 | Straight Fitting, 12MJ x 12MB | 290065 | 2 |
| 13 | Elbow Fitting, 12MJ x 12MB | 290022 | 2 |
| 14 | Elbow Fitting, 16MJ x 16MB | 290020 | 1 |

Previous Page

Next Page

Back to Index

Switch Box



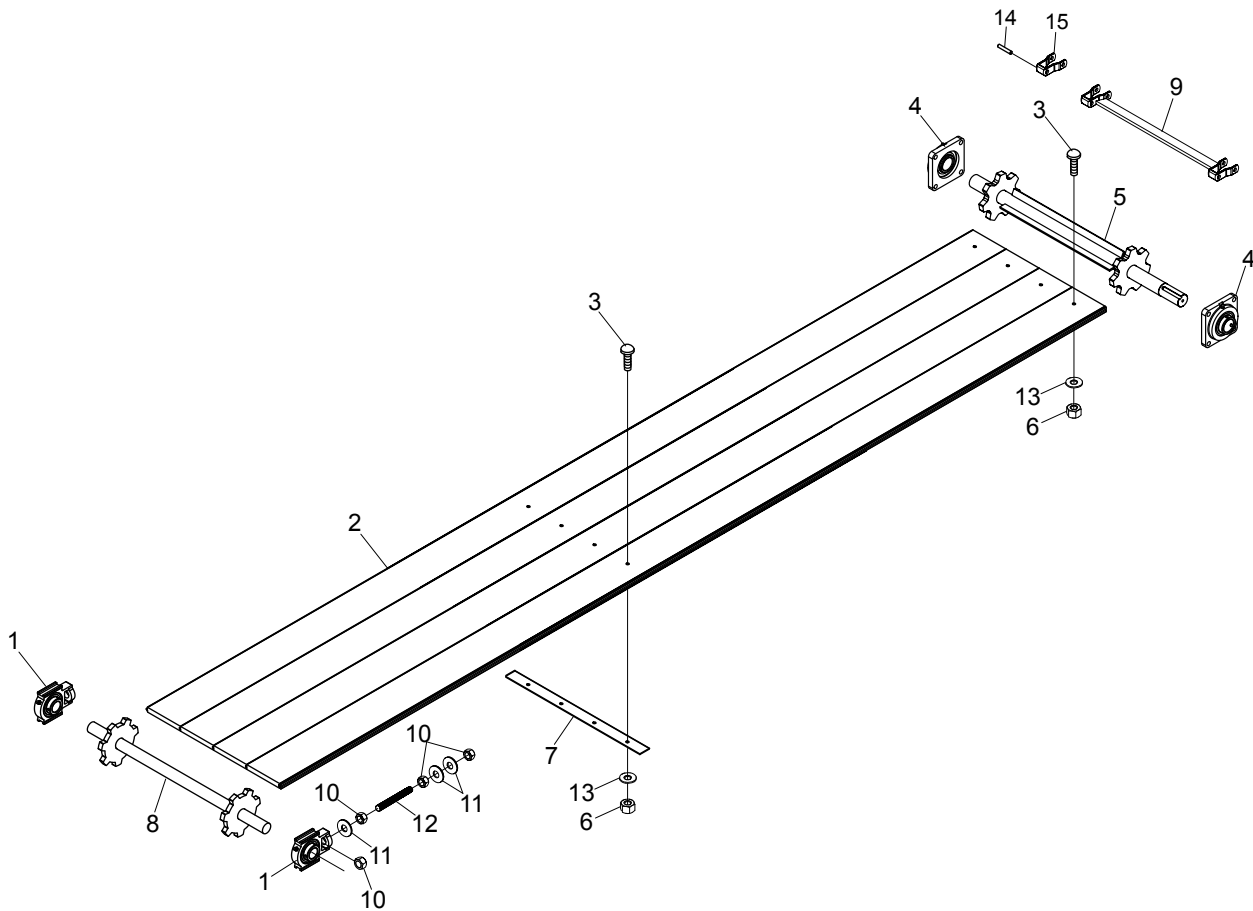
| Ref# | Description | Part# |
|------|-------------------------------------|--------|
| 1 | Magnet | 800450 |
| 2 | Switchbox Base | 830398 |
| 3 | Toggle Switch | 830353 |
| 4 | Switchbox Cover | 830399 |
| 5 | Toggle Switch 1/2 boot | 507413 |
| 6 | 3/8" Cord Grip Nut | 507414 |
| 7 | 3/8" Plastic Cord Grip | 507415 |
| 8 | Wire (Specify length when ordering) | 290168 |
| 9 | 10 Amp Fuse | 507403 |
| 10 | Fuse Holder | 507402 |
| 11 | European Lighter Plug | 507307 |
| 12 | European Female Plug | 507324 |
| 13 | Amp Plug | 290290 |
| 14 | Amp Receptical (Tractor Side) | 830791 |
| 15 | Deutsch Connector Wedge | 290028 |
| 16 | Deutsch Connector Sockets (2) | 290007 |
| 17 | Deutsch Connector Housing | 290052 |

[Previous Page](#)

[Next Page](#)

[Back to Index](#)

Floor & Apron



| Ref# | Description | Part# | Qty |
|------|-----------------------------|--------|-----|
| 1 | Sliding Bearing | 801099 | 2 |
| 2 | Poly Floor Board | 800541 | 6 |
| 3 | Carriage Bolt, 5/16 x 1-1/2 | 000126 | 18 |
| 4 | 4-Bolt Flange Bearing | 801100 | 2 |
| 5 | Apron Shaft, Rear | 830631 | 1 |
| 6 | Hex Nut, 5/16 | 000910 | 18 |
| 7 | Floor Hold Down Strip | 830557 | 2 |
| 8 | Apron Shaft, Front | 830675 | 1 |

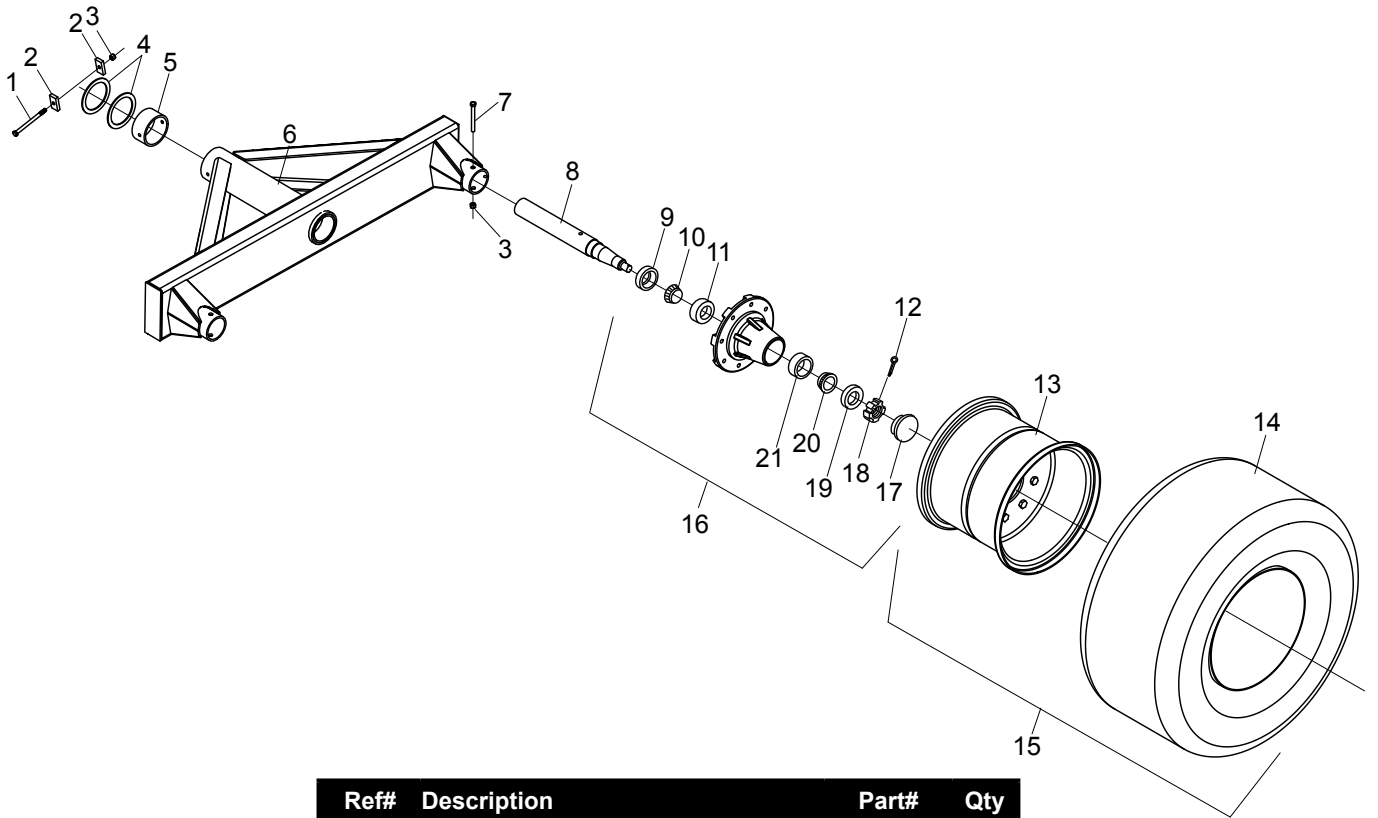
| Ref# | Description | Part# | Qty |
|------|-----------------------------|-------------|-----|
| 9a | 10' Section of Web Slats | 830555-H-WD | 3 |
| 9b | 1 Slat Assembly | 890375 | N/A |
| 10 | 3/4"-10 Hex Nut | 000975 | 6 |
| 11 | 3/4" SAE Flat Washer | 001086 | 6 |
| 12 | 3/4"-10 All Thread x 8-7/8" | 801175 | 2 |
| 13 | 5/16" Flat Washer | 001030 | 8 |
| 14 | Connector Pin | 830328 | 6 |
| 15 | Connector Link w/ Pin | 830326 | 6 |

Previous Page

Next Page

Back to Index

Axle Assembly



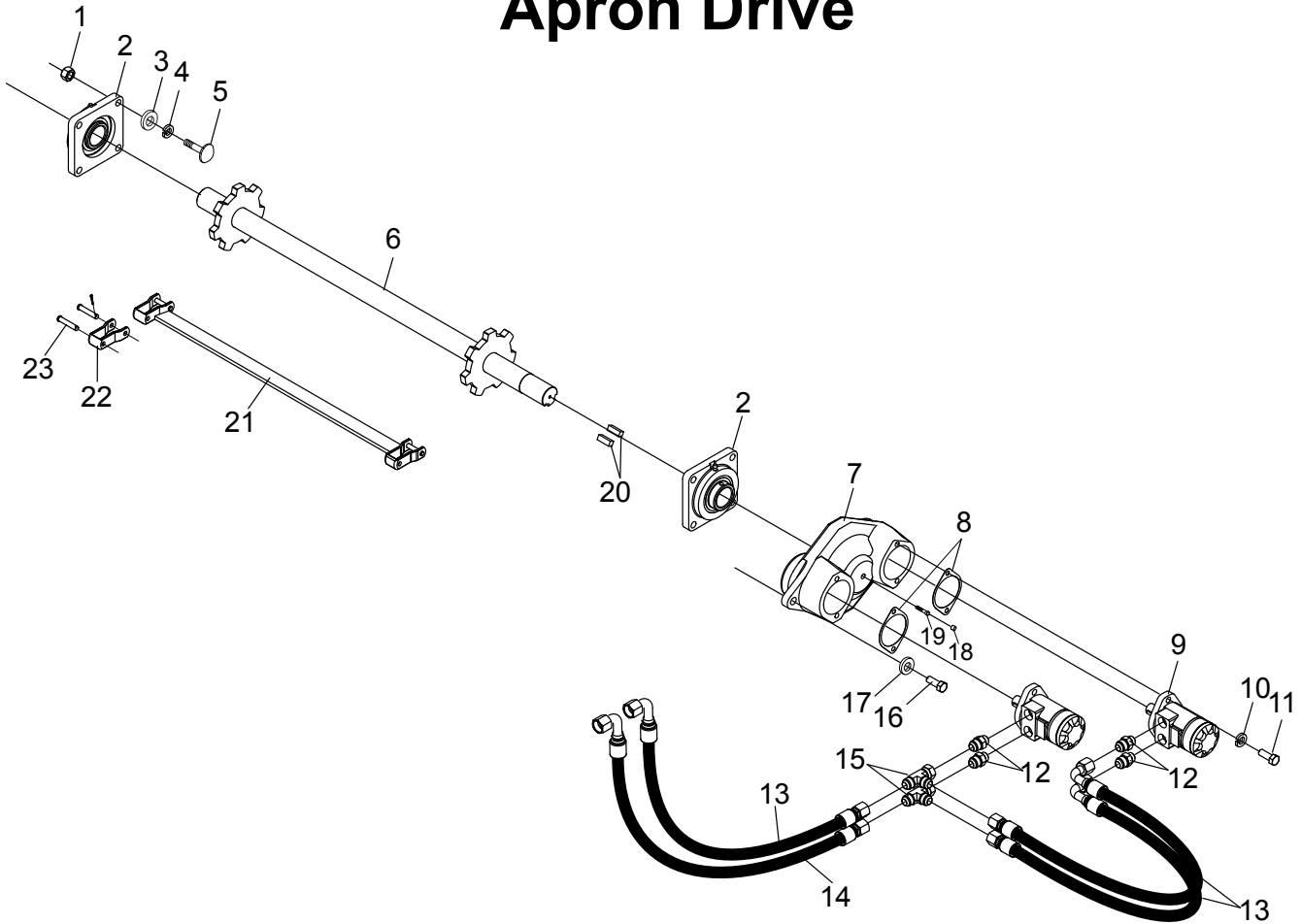
| Ref# | Description | Part# | Qty |
|------|----------------------------|--------|-----|
| 1 | Bolt, 3/8 x 3-1/2 | 000380 | 1 |
| 2 | Pivot Shaft Holder | 890169 | 2 |
| 3 | Nylon Locknut, 3/8 | 003000 | 3 |
| 4 | Pivot Washer | 830015 | 2 |
| 5 | Bronze Bushing | 702340 | 2 |
| 6 | Walking Beam Weldment | 830010 | 2 |
| 7 | Bolt, 1/4 x 4 | 000490 | 2 |
| 8 | Spindle | 830044 | 2 |
| 9 | Grease Seal | 300431 | 2 |
| 10 | Bearing, 387AS | 300430 | 2 |
| 11 | Race, 382A | 101428 | 2 |
| 12 | Cotter Pin, 5/32 x 1-3/4 | 001231 | 2 |
| 13 | Wheel, 16.1 x 16 | 830047 | 2 |
| 14 | Tire 21.5L x 16.1 x 10-Ply | 830258 | 2 |
| 15 | Tire & Wheel Assembly | 830053 | 2 |
| 16 | Hub (Complete w/ Bearings) | 830045 | 2 |
| 17 | Hub Cap | 300249 | 2 |
| 18 | Spindle Nut | 300275 | 2 |
| 19 | Spindle Washer | 300047 | 2 |
| 20 | Bearing, LM501349 | 300248 | 2 |
| 21 | Race, LM501310 | 300247 | 2 |

[Previous Page](#)

[Next Page](#)

[Back to Index](#)

Apron Drive



*Note: Double Drive Gearbox (ID 7) was changed at serial number 95419. Old gearbox (801098) is no longer available and will be substituted with new gearbox (801418). Limited Parts are available for old gearbox.

| Ref# | Description | Part# | Qty |
|------|--------------------------|--------|-----|
| 1 | Hex Nut, 5/8 | 000970 | 8 |
| 2 | 4-Bolt Flange Bearing | 801100 | 2 |
| 3 | USS Flat Washer, 5/8 | 001075 | 8 |
| 4 | Split Lock Washer, 5/8 | 000860 | 8 |
| 5 | Carriage Bolt, 5/8 x 2 | 000617 | 8 |
| 6 | Rear Web Shaft | 830631 | 1 |
| 7 | Double Drive Gearbox | 801418 | 1 |
| | Shaft Seal for Gearbox | 800136 | |
| 8 | Gasket | 830251 | 2 |
| 9 | Drive Motor | 830171 | 2 |
| | Seal Kit for Drive Motor | 800135 | |
| 10 | Split Lock Washer, 1/2 | 000840 | 4 |
| 11 | Hex Bolt, 1/2 x 1-1/2 | 000435 | 4 |

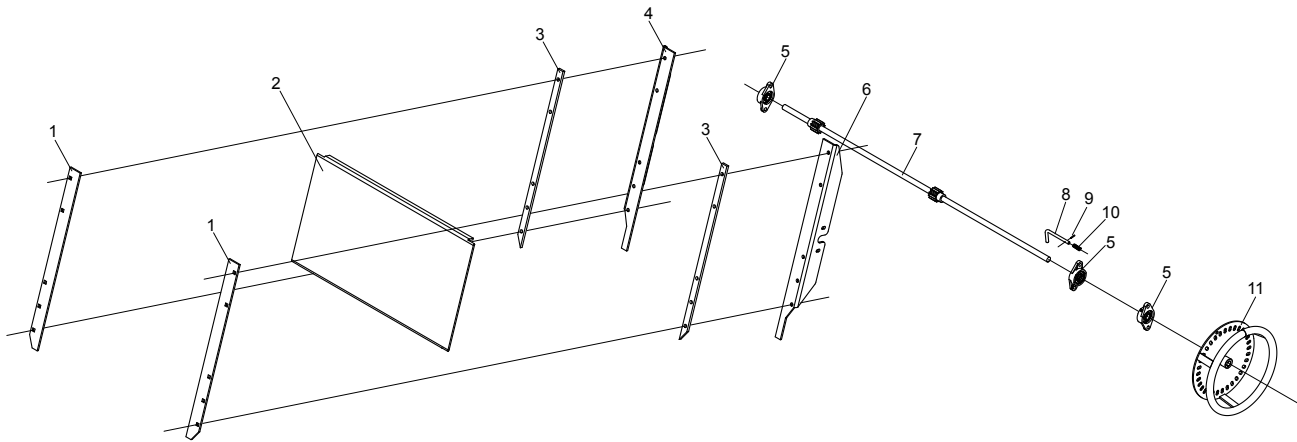
| Ref# | Description | Part# | Qty |
|------|----------------------------------|--------|-----|
| 12 | Straight Fitting, 12MJ x 10MB | 290001 | 4 |
| 13 | 23" Hose Assembly | 830333 | 3 |
| 14 | 25" Hose Assembly | 830335 | 1 |
| 15 | T-Fitting, 12MJ x 12FJX x 12MJ | 290034 | 2 |
| 16 | Hex Bolt, 5/8 x 2 | 000615 | 1 |
| 17 | USS Flat Washer, 5/8 | 001075 | 1 |
| 18 | Plug, 1/2" NPT | 290025 | 1 |
| 19 | Socket Head Bolt, 5/16 x 1-1/4 | 000231 | 1 |
| 20 | Key, 1/2 x 1/2 x 1-1/2 | 830329 | 1 |
| 21 | Slat Assembly (1 Slat and Links) | 890375 | |
| 22 | Connector Link w/ Pin | 830326 | |
| 23 | Connector Pin | 830328 | |

Previous Page

Next Page

Back to Index

Rear Gate



| Ref# | Description | Part# | Qty. |
|------|---------------------|--------|------|
| 1 | Inner Track | 830520 | 2 |
| 2 | Endgate Weldment | 830550 | 1 |
| 3 | Track Spacer | 830519 | 2 |
| 4 | Outer Track, Right | 830518 | 1 |
| 5 | Flange Bearing | 806108 | 3 |
| 6 | Outer Track, Left | 830573 | 1 |
| 7 | Endgate Shaft | 830548 | 1 |
| 8 | Latch Pin | 806052 | 1 |
| 9 | Roll Pin, 1/8 x 3/4 | 000561 | 1 |
| 10 | Latch Spring | 806166 | 1 |
| 11 | Endgate Wheel | 830543 | 1 |

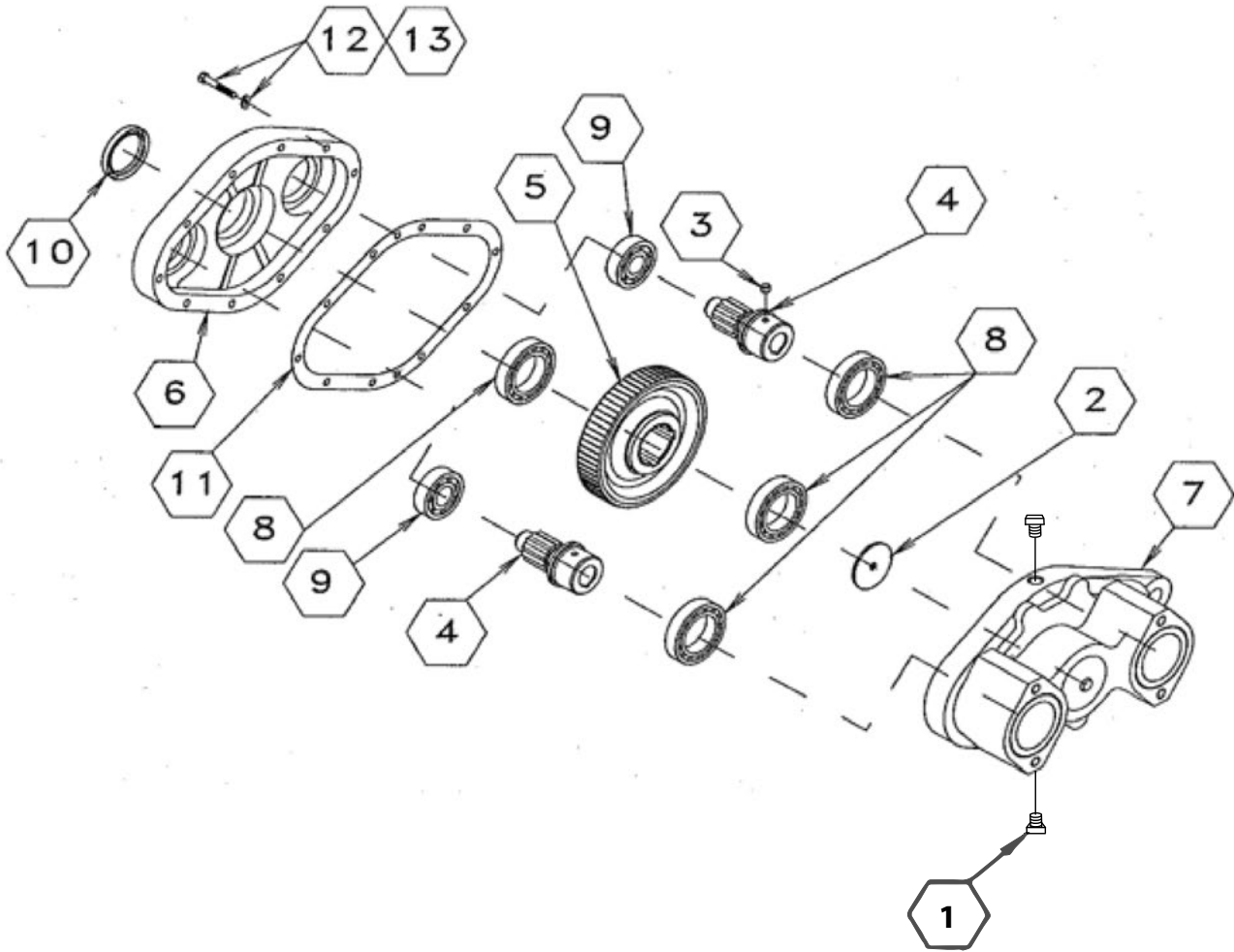
Previous Page

Next Page

Back to Index

Gearbox Components S/N -95419

*Limited Parts Available. Can substitute complete gearbox with Part # 801418



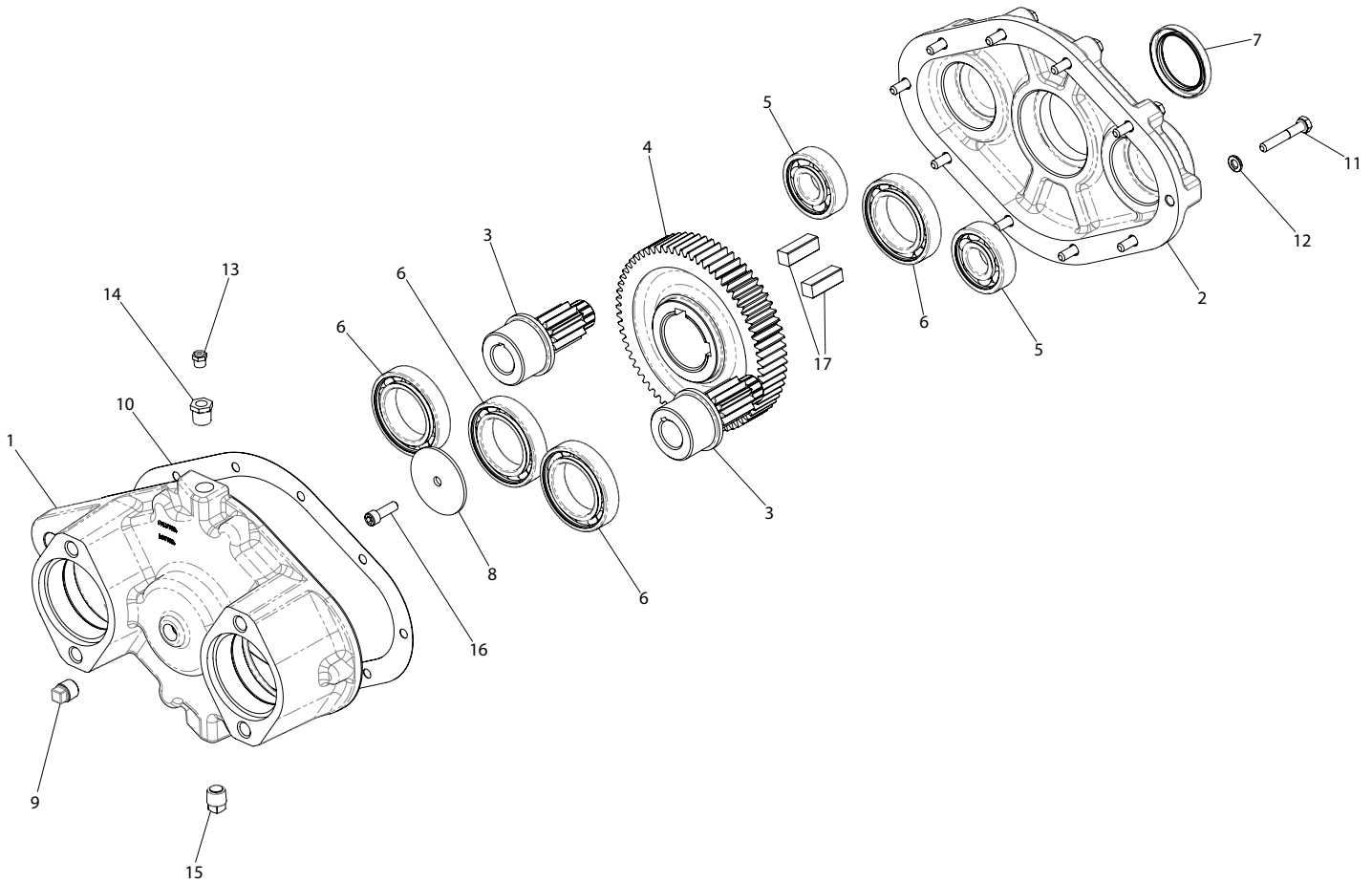
| Ref# | Description | Part# |
|------|------------------|--------|
| 1 | Plugs and Keys | 830700 |
| 2 | Washer | 830701 |
| 3 | Plug-Delrin | 830702 |
| 4 | Gear-Pinion | 830703 |
| 5 | Gear-Driven | 830704 |
| 6 | Housing-Inboard | 830705 |
| 7 | Housing-Outboard | 830706 |
| 8 | Bearing | 830707 |
| 9 | Bearing | 830708 |
| 10 | Oil Seal | 800136 |
| 11 | Gasket | 830709 |
| 12 | Lock Washer | 000810 |
| 13 | Cap screw | 000122 |

[Previous Page](#)

[Next Page](#)

[Back to Index](#)

Gearbox Components S/N 95419+



| Ref# | Description | Part# |
|------|---------------------------------|--------|
| 1 | Outer Housing | 801435 |
| 2 | Inner Housing | 801436 |
| 3 | 11 Tooth Spur Gear | 801422 |
| 4 | 67 Tooth Spur Gear | 801423 |
| 5 | 6305 C3 Ball Bearing | 801424 |
| 6 | 6010 C3 Ball Bearing | 801425 |
| 7 | 1.969-2.627-.312 | 801437 |
| 8 | 2.50 x .34 x .120 Washer | 801427 |
| 9 | 3/8" NPT Square Head Plug w/ 3M | 801428 |

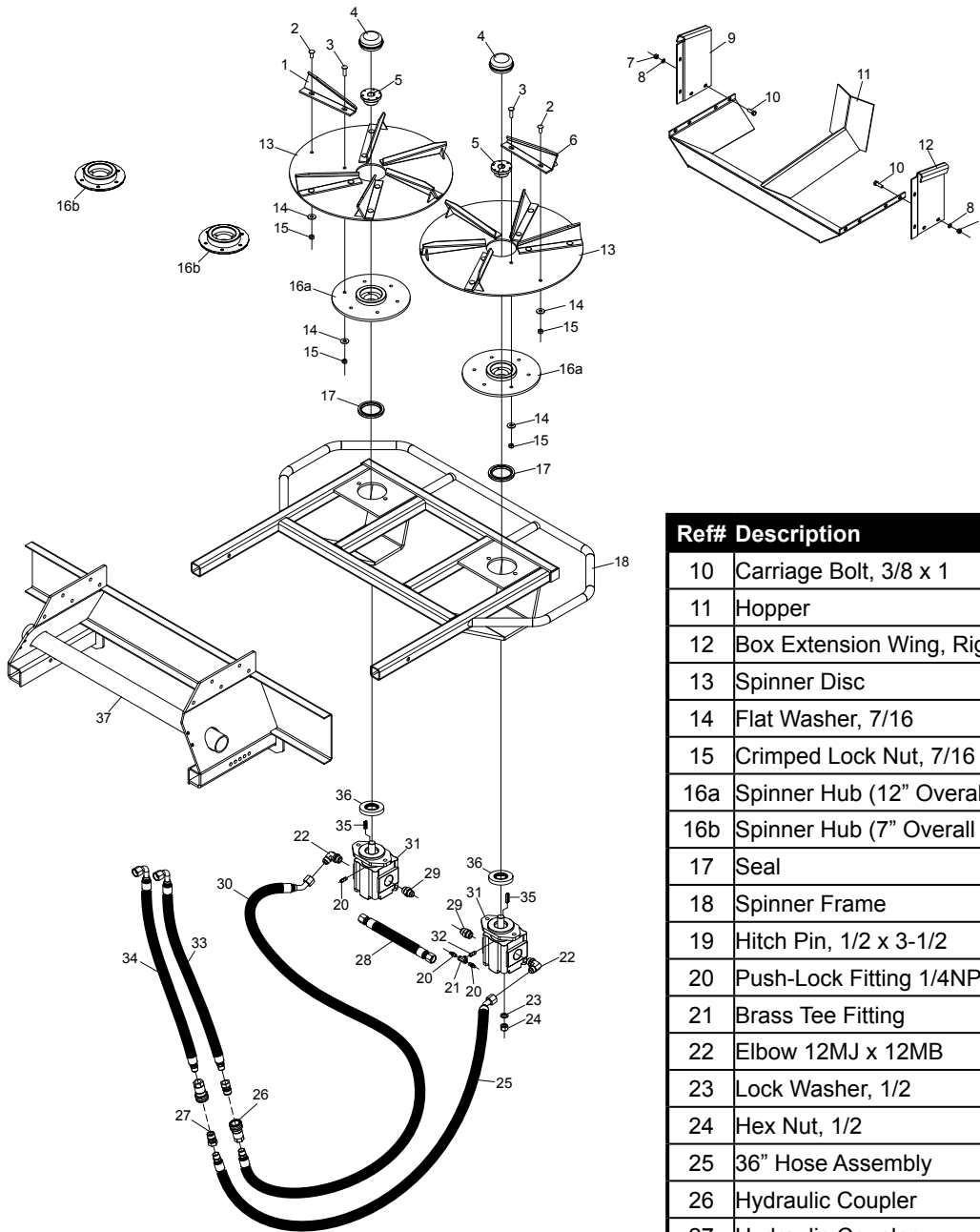
| Ref# | Description | Part# |
|------|---------------------------------|--------|
| 10 | IP39 Gasket | 801438 |
| 11 | 5/16" x 2" Hex Head Bolt, Gr. 8 | 000122 |
| 12 | 5/16" Lock Washer | 000810 |
| 13 | 1/8" NPT Vent Plug, 5 PSI | 801430 |
| 14 | 3/8" NPT x 1/8" NPT Bushing | 801431 |
| 15 | 3/8" NPT MAG Square Head Plug | 801432 |
| 16 | 5/16" x 1" Gr. 8 Bolt | 401434 |
| 17 | 1/2" x 1/2" x 1-1/2" Key | 801439 |
| 18 | Complete Gearbox | 801418 |

[Previous Page](#)

[Next Page](#)

[Back to Index](#)

Spinner Assembly



| Ref# | Description | Part# | Qty |
|------|-----------------------------|--------|-----|
| 1 | Spinner Paddle, Right | 830265 | 6 |
| 2 | Carriage Bolt, 7/16 x 1 | 000356 | 12 |
| 3 | Carriage Bolt, 7/16 x 1-1/2 | 000359 | 12 |
| 4 | Cap | 830314 | 2 |
| 5 | Tapered Bushing, 1" Round | 505420 | 2 |
| 6 | Spinner Paddle, Left | 830267 | 6 |
| 7 | Hex Nut, 3/8 | 000915 | 4 |
| 8 | Lock Washer, 3/8 | 000820 | 4 |
| 9 | Box Extension Wing, Left | 830144 | 1 |

| Ref# | Description | Part# | Qty |
|------|------------------------------------|--------|-----|
| 10 | Carriage Bolt, 3/8 x 1 | 000125 | 4 |
| 11 | Hopper | 830530 | 1 |
| 12 | Box Extension Wing, Right | 830079 | 1 |
| 13 | Spinner Disc | 830309 | 2 |
| 14 | Flat Washer, 7/16 | 001045 | 24 |
| 15 | Crimped Lock Nut, 7/16 | 000387 | 24 |
| 16a | Spinner Hub (12" Overall Diameter) | 830313 | 2 |
| 16b | Spinner Hub (7" Overall Diameter) | 830629 | 2 |
| 17 | Seal | 830317 | 2 |
| 18 | Spinner Frame | 830583 | 1 |
| 19 | Hitch Pin, 1/2 x 3-1/2 | 100292 | 2 |
| 20 | Push-Lock Fitting 1/4NPT | 290036 | 3 |
| 21 | Brass Tee Fitting | 290033 | 1 |
| 22 | Elbow 12MJ x 12MB | 290022 | 2 |
| 23 | Lock Washer, 1/2 | 000840 | 4 |
| 24 | Hex Nut, 1/2 | 000940 | 4 |
| 25 | 36" Hose Assembly | 830331 | 1 |
| 26 | Hydraulic Coupler | 290041 | 2 |
| 27 | Hydraulic Coupler | 290040 | 2 |
| 28 | 21.5" Hose Assembly | 830330 | 1 |
| 29 | Straight Fitting 12MJ x 12MB | 290065 | 2 |
| 30 | 60" Hose Assembly | 830332 | 1 |
| 31 | Hydraulic Motor, 1" Keyed Shaft | 830318 | 2 |
| | Seal Kit for Motor | 830345 | |
| 32 | Brass Nipple | 290039 | 1 |
| 33 | 20" Hose Assembly | 830341 | 1 |
| 34 | 25" Hose Assembly | 830342 | 1 |
| 35 | 1/4" x 3/8" x 1-1/4" Key | 830390 | 2 |
| 36 | Outer Seal | 830389 | 2 |
| 37 | Spinner Socket Weldment | 830603 | 1 |

[Previous Page](#)

[Next Page](#)

[Back to Index](#)