

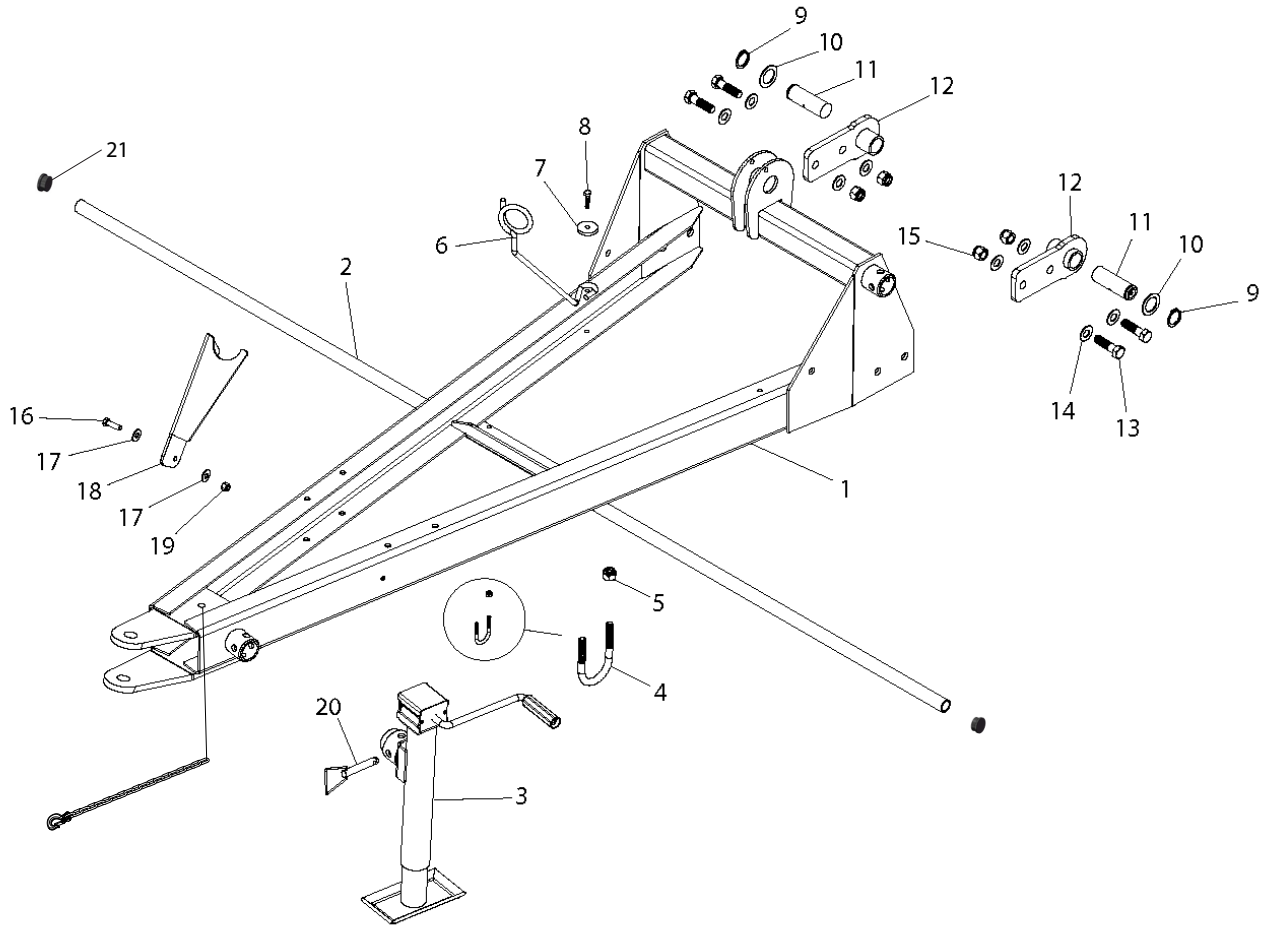


TT4102 Rotary Tedder

Illustrated Parts Breakdown

Page 1	Tongue Assembly
Page 2	Main Frame
Page 3	Rotor and Wing Assembly
Page 4	Axle and Wheel
Page 5	Input Gearbox Assembly
Page 6	Rotor Gearbox Assembly
Page 7	PTO Shaft Assembly
Page 8	Hydraulics
Page 9	Decals

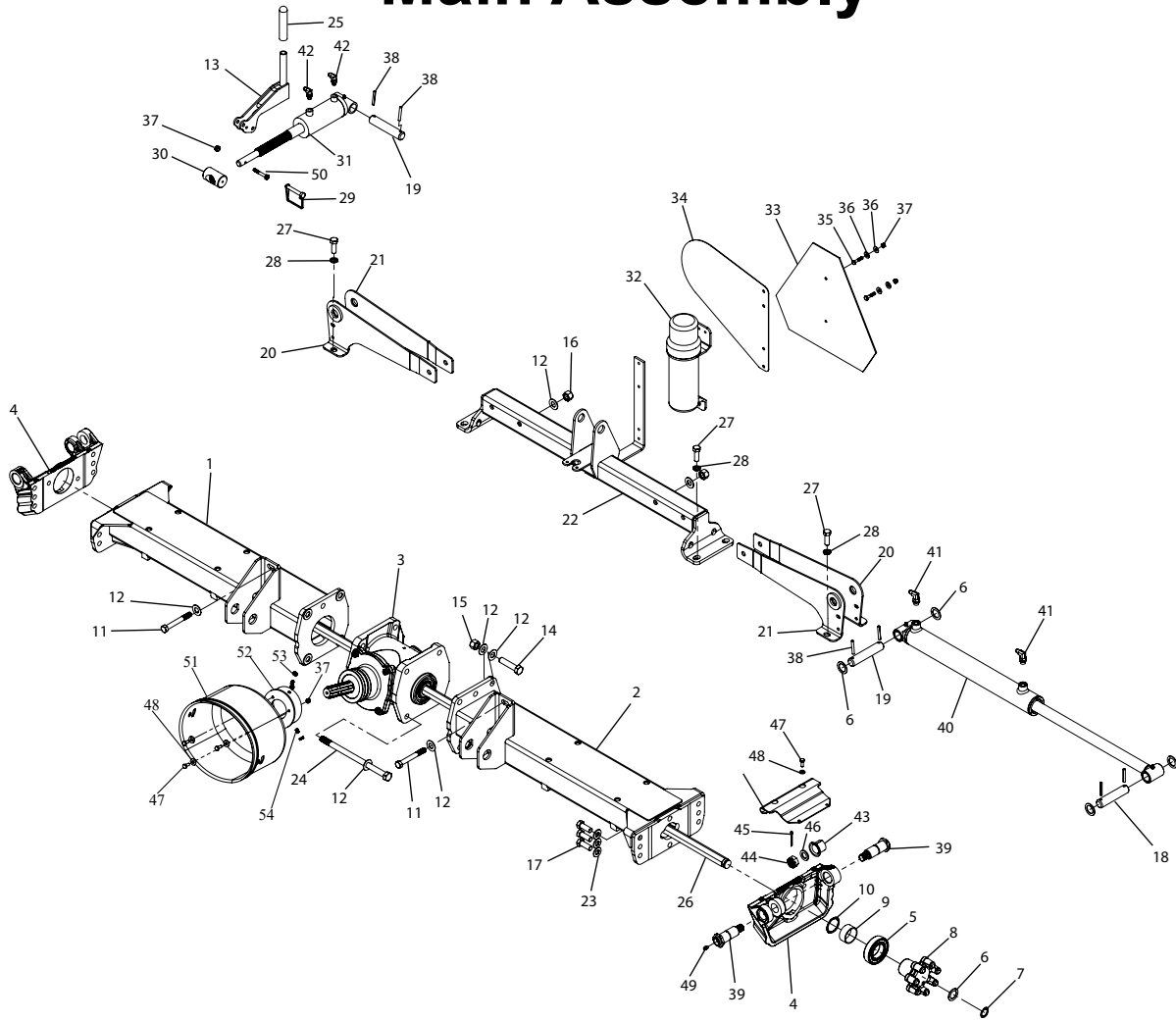
Tongue Assembly



Ref#	Description	Part#
1	Tongue Weldment 4102	704068
2	Center Pipe Guard	703999
3	2K Side Wind Jack	903317
4	1/4"-20 x 3/4" U-Bolt	705048
5	1/4-20 Nylon Lock Nut	003001
6	Hose Holder Wireform	502288
7	Hose Support Hold Down Washer	502308
8	5/16-18 x 1-1/4 Hex Head Bolt	000230
9	HD 1.25 Ext Ret Ring	702826
10	1.25 Machinery Bushing	500185
11	Tongue Grease Pin	702829
12	Tedder Tongue Mounting Plate	703510
13	5/8"-11 x 2.25" Hex Head Bolt	000626
14	SAE Standard Washer	001076
15	5/8-11 Nylon Lock Nut	000972

Ref#	Description	Part#
16	3/8-16 x 1.25 HH Bolt Zinc	000275
17	3/8 USS Flat Washer	001035
18	PTO Stand	500015
19	3/8-16 Nylon Lock Nut	003000
20	9/16 x 2-1/2 Pull Pin	102121
21	Pipe Plug	100297

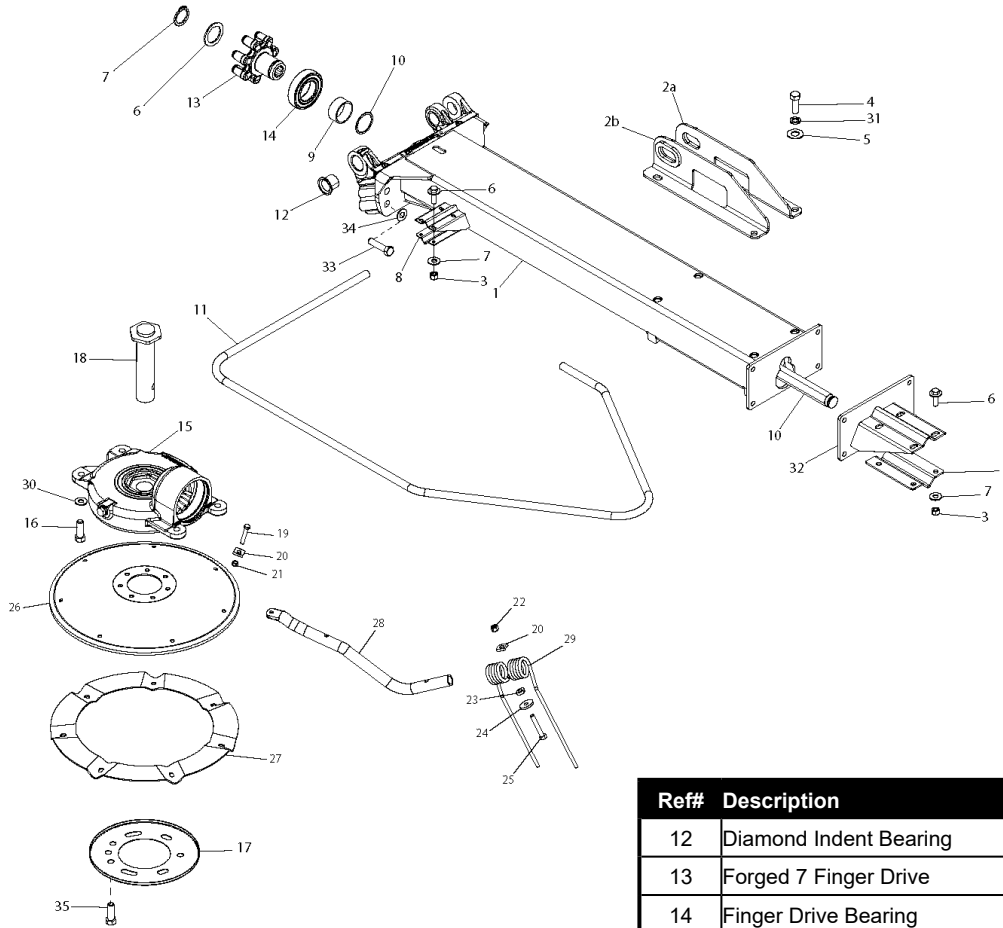
Main Assembly



Ref#	Description	Part#
1	Inner Right Arm	704029
2	Inner Left Arm	704028
3	4102 Gearbox	703621
4	Pivot Casting	703547
5	Finger Drive Bearing	705028
6	1" Machinery Bushing 14ga.	001008
7	1" Snap Ring	702883
8	7 Finger Drive	703546
9	Finger Drive Retaining Tube	704060
10	Smalley Spring: DNS-45	704059
11	1/2 - 13 x 4 HH Bolt Gr.5	000490
12	SAE Standard Washer	001076
13	Tilt Adjustment Handle	705038
14	5/8-11 x 2 3/4 Hex Head Bolt	000623
15	5/8 Stover Locknut	900145
16	1/2-13 Nylon Lock Nut	000950
17	9/16"-12x1.5" HBB	000577
18	1" Wing Rod Pin x 4.5" Long	705083
19	1" Wing Base Pin x 5" Long	701016
20	Left Rear Cyl Base Bracket	703992
21	Left Front Cyl Base Bracket	703991
22	Center Support Weldment	704064
23	9/16 Serrated Conical Washer	705000
24	1/2" x 10-1/2" Hex Head Bolt	000691
25	.750 Handle Grip	900116
26	Center Shaft 4102	704058
27	1/2-13 x 1.50 HH Bolt Zinc	000435
28	1/2 Split Lock Washer	000840

Ref#	Description	Part#
29	Snapper Pin	500158
30	Tongue Cylinder Mount	502218
31	Tongue Hydraulic Cylinder	703604
32	Ops. Manual Cylinder	503050
33	Fanny Flag	507166
34	Speed Indicator Decal Panel	704165
35	1/4-20 x 1.25 HH Bolt	100184
36	1/4 USS Flat Washer	001020
37	1/4-20 Nylon Lock Nut	003001
38	1/4 x 1 3/4 Roll Pin	500187
39	Pivot Pin 1.125" x 4"	705013
40	2" Bore x 16" stroke wing Cylinder	703969
41	#4 JIC x #6 Male Boss Elbow Fitting	700907
42	90 Degree Elbow #4MJ x #4MB	900948
43	CuSn8 Diamond Indent Bearing	703780
44	3/4-16 Castle Nut, Plated	705070
45	5/32 x 1-1/2 Cotter Pin	001215
46	3/4 x 1-1/4 Machinery Bushing	400146
47	1/4-20 x 3/4 HH Bolt Gr. 5	000175
48	1/4 SAE Flat Washer Zinc	001021
49	1/4-28 Spin Drive Fitting	400117
50	1/4"-20 x 1-3/4" HHB Gr. 5	000187
51	Implement Shield	701205
52	Shield Mounting Bracket Weldment	703145
53	5/16-24 Hex Jam Nut	001116
54	5/16-24 x 1/2 Set Screw	001121

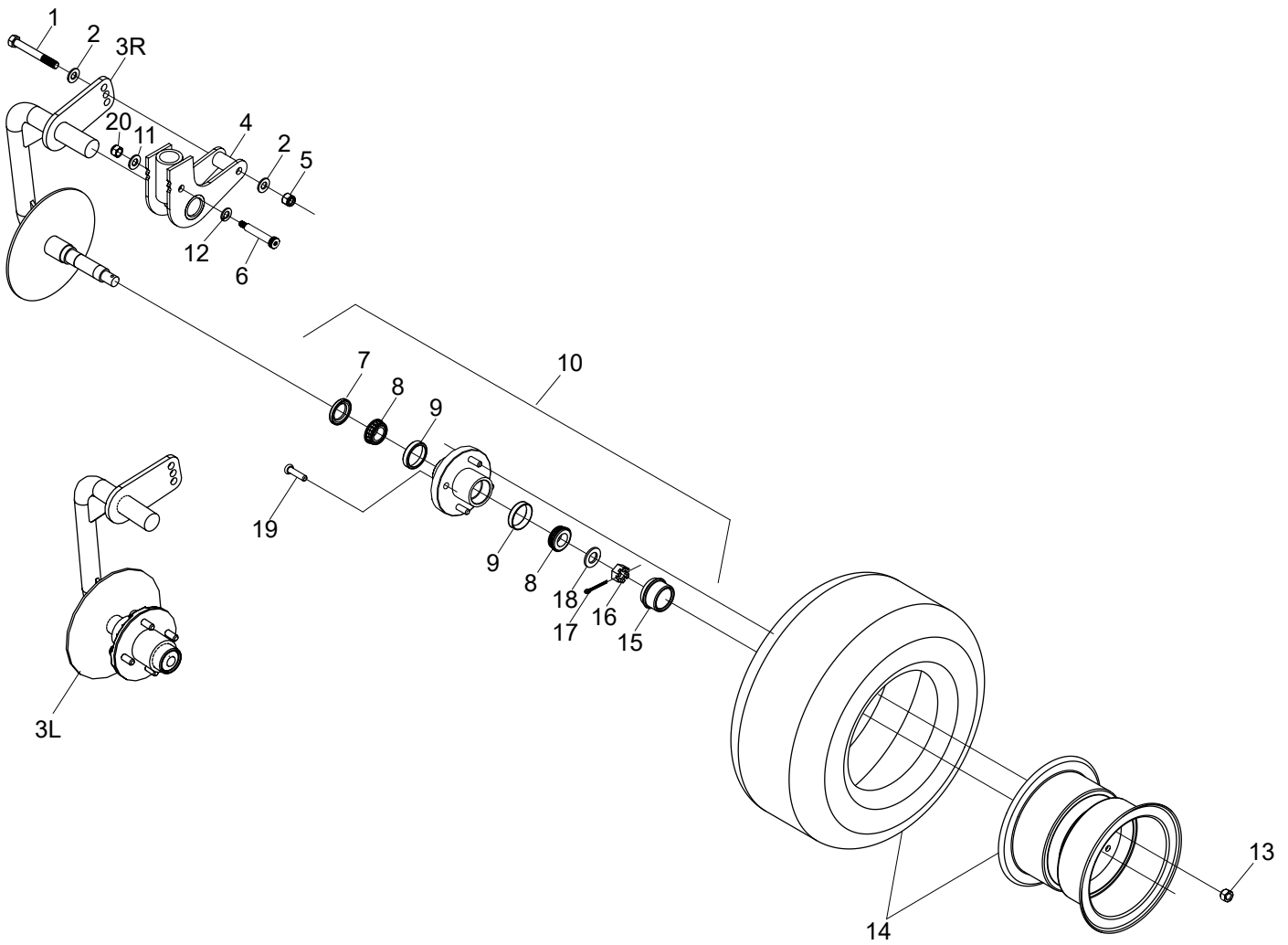
Rotor and Wing Assembly



Ref#	Description	Part#
1	Left Tedder End Wing	704129
	Right Tedder End Wing	704130
2a	Cylinder End Bracket RF	704062
2b	Cylinder End Bracket LF	704063
3	3/8-16 Nylon Lock Nut	003000
4	1/2-13 x 1.50 HH Bolt Zinc	000435
5	SAE Standard Washer	001076
6	3/8-16 x 1.25 HH Bolt Zinc	000275
7	3/8 USS Flat Washer	001035
8	Cradle Guard	702696
9	Finger Drive Retaining Tube	704060
10	Hex Wing Shaft	704057
11	Outer Guard	702693

Ref#	Description	Part#
12	Diamond Indent Bearing	703780
13	Forged 7 Finger Drive	703546
14	Finger Drive Bearing	705028
15	ROTOR GEARBOX	704019
16	1/2-13 x 1.50 HH Bolt Zinc	000435
17	Wrap Guard	702734
18	Rotor Spindle	703761
19	7/16 x 2-1/2 Hex Head Bolt	000375
20	Radius Washer	701008
21	7/16-14 Nylon Lock Nut	000385
22	1/2-13 Nylon Lock Nut	000950
23	Tine Pitch Adjustment Washer	701005
24	Bottom Tine Washer	701004
25	1/2 - 13 x 3 HH Bolt Gr.8	000471
26	Tine Plate	702714
27	Tedder Arm Brace	700942
28	Tedder Arm	702718
29	Black Tine, CCW Rotation	700901
	Gray Tine, CW Rotation	700929
30	1/2" Serrated Conical Washer	702821
31	1/2 Split Lock Washer	000840
32	Guard Sleeve Weldment	702704
33	9/16"-12x1.5" HBB	000577
34	9/16 Serrated Conical Washer	705000
35	7/16-14 x 1-1/2 Flanged Hex Head Bolt	000725

Axle & Wheel

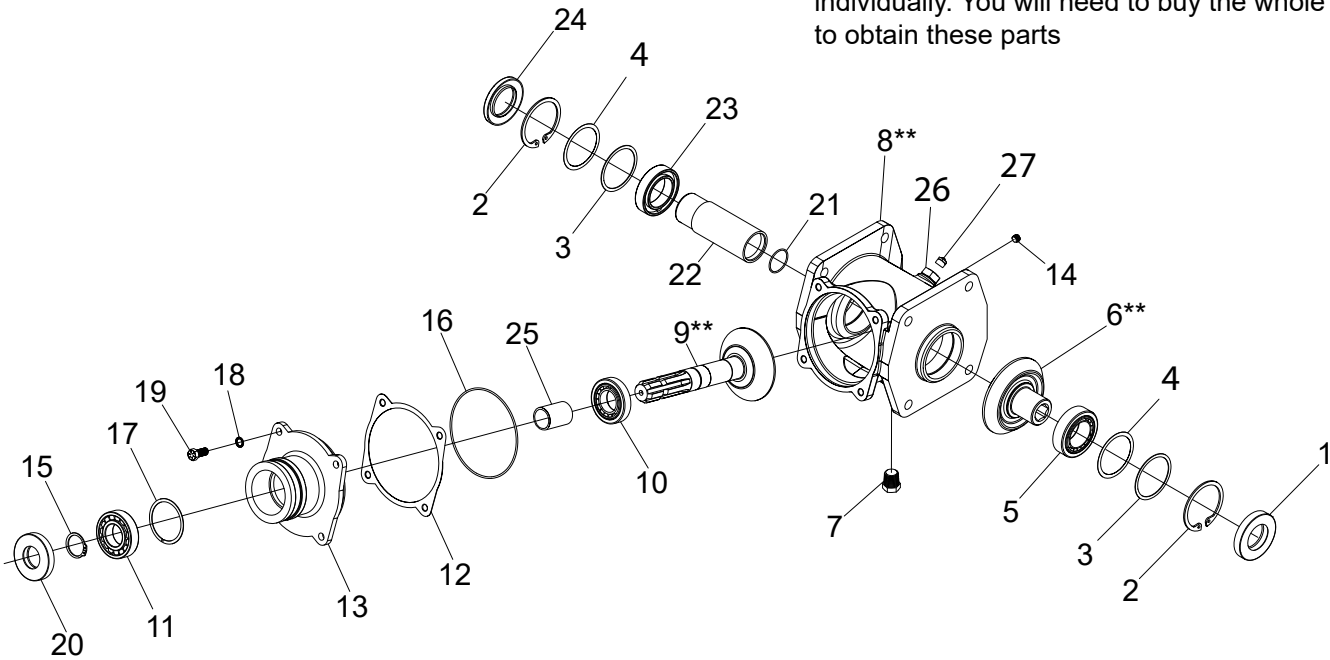


Ref#	Description	Part#
1	Bolt, 1/2 x 4	000490
2	SAE Washer, 1/2	001061
3R	Spindle Assembly, Right	702825
3L	Spindle Assembly, Left	702824
4	Spindle Bracket	703763
5	Nylon Locknut, 1/2	000950
6	3/8" x 2-1/2" x 5/16" Shoulder Bolt	703772
7	Grease Seal	500201
8	Bearing, L44643	500202
9	Race, L44610	500204
10	Complete Hub	500199
11	3/8 USS Flat Washer	001035

Ref#	Description	Part#
12	1/2" Split Lock Washer	000840
13	Lug Bolt (for threaded hub)	500210
	Lug Nut (for drive in stud)	508506
14	Tire and Wheel	500220
15	Dust Cap	500209
16	Spindle Nut	500207
17	Cotter Pin	500208
18	Spindle Washer	500206
19	Drive-In Stud	508505
20	3/8-16 Nylon Lock Nut	003000
21L	Left Spindle and Hub Assembly	702912
21R	Right Spindle and Hub Assembly	702913

Input Gearbox Assembly

Part numbers with ** are not available to purchase individually. You will need to buy the whole gearbox to obtain these parts

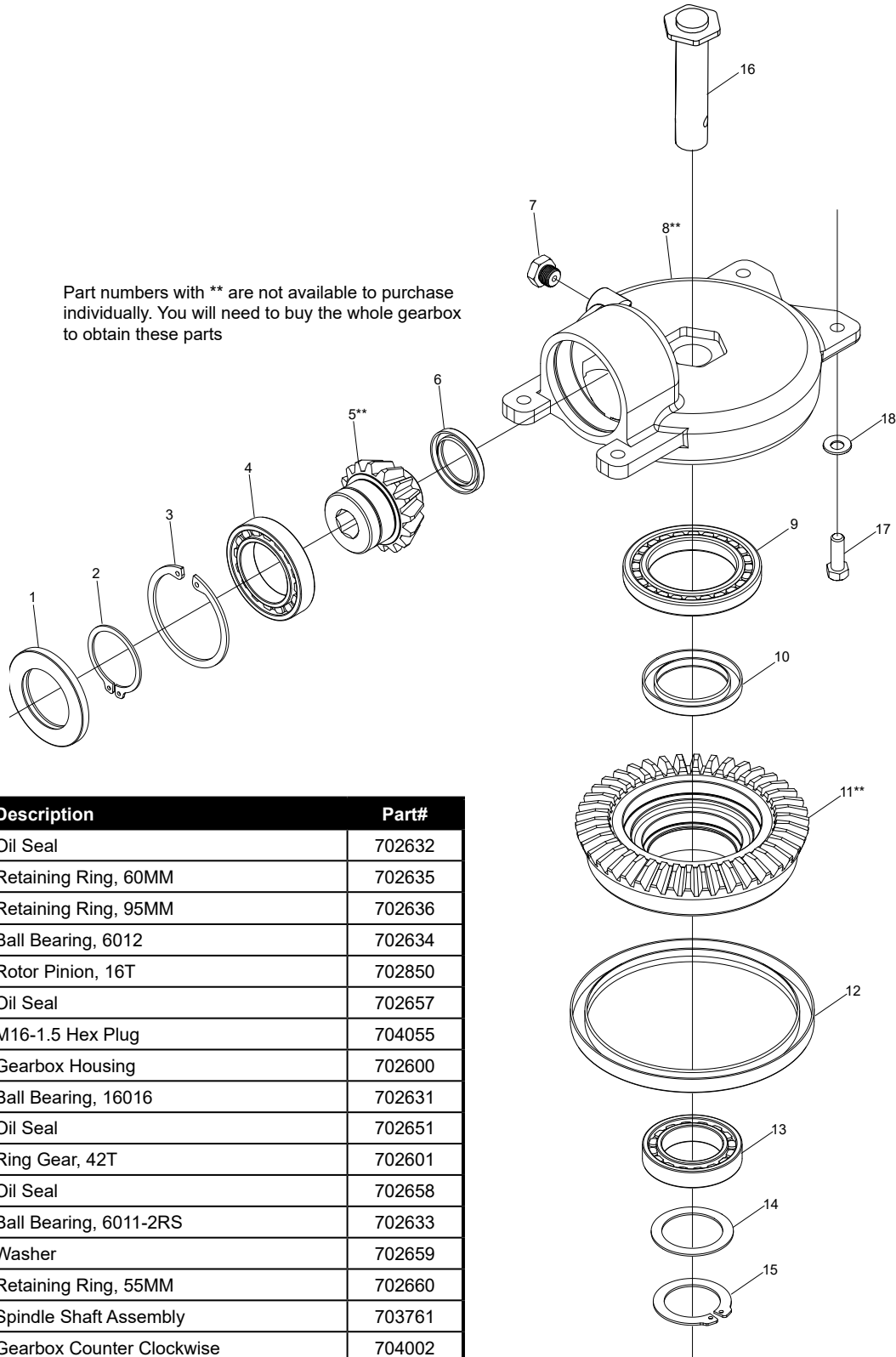


Ref#	Description	Part#
1	Oil Seal,- 45Mm X 80Mm X 13Mm	702655
2	Int. Retaining Ring, 80Mm, Din 472-080	702643
3	Retaining Ring Washer	702661-36
4	Center Gear Shim 0.003" Thick	702661-003
5	33109 Taper Bearing Set	702841
6	20T High Speed Center Gear,-(Hex Drive)	703573
7	X100 Series Plug	703115
8	Center Gearbox 17X20 Housing	703560
9	17T High Speed Pinion	703572
10	30207 Tapered Roller Bearing	703564
11	6207 Open Ball Bearing	702644
12a	Input Shaft Housing 0.030" Shim	702645-030
12b	Input Shaft Housing 0.036" Shim	702645-036
12c	Input Shaft Housing 0.024" Shim	702645-024

Ref#	Description	Part#
13	Input Shaft Housing For Tapered Roller Bearing	703563
14	1/8 NPT Pipe Plug	502298
15	Ext. Retaining Ring, 35Mm	702648
16	Input Cap O-Ring	703659
17	Wave Spring	703825
18	7/16 Serrated Safety Washer, 0130155	702663
19	7/16-20 X 1 Hex Head Bolt Gr. 8	000349
20	Oil Seal,- 35Mm X 72Mm X 12Mm	702656
21	O-Ring	702646
22	Input Gear Spacer For 17X20 Gearbox	703570
23	6010 Open Ball Bearing	702638
24	Oil Seal,- 50Mm X 80Mm X 8Mm	702654
25	Pinion Bearing Sacer	703885
26	5406-08-02	705088
27	Alemite 47200 Pressure Relief Fitting	705089
	Complete High Speed Center Gearbox	703621

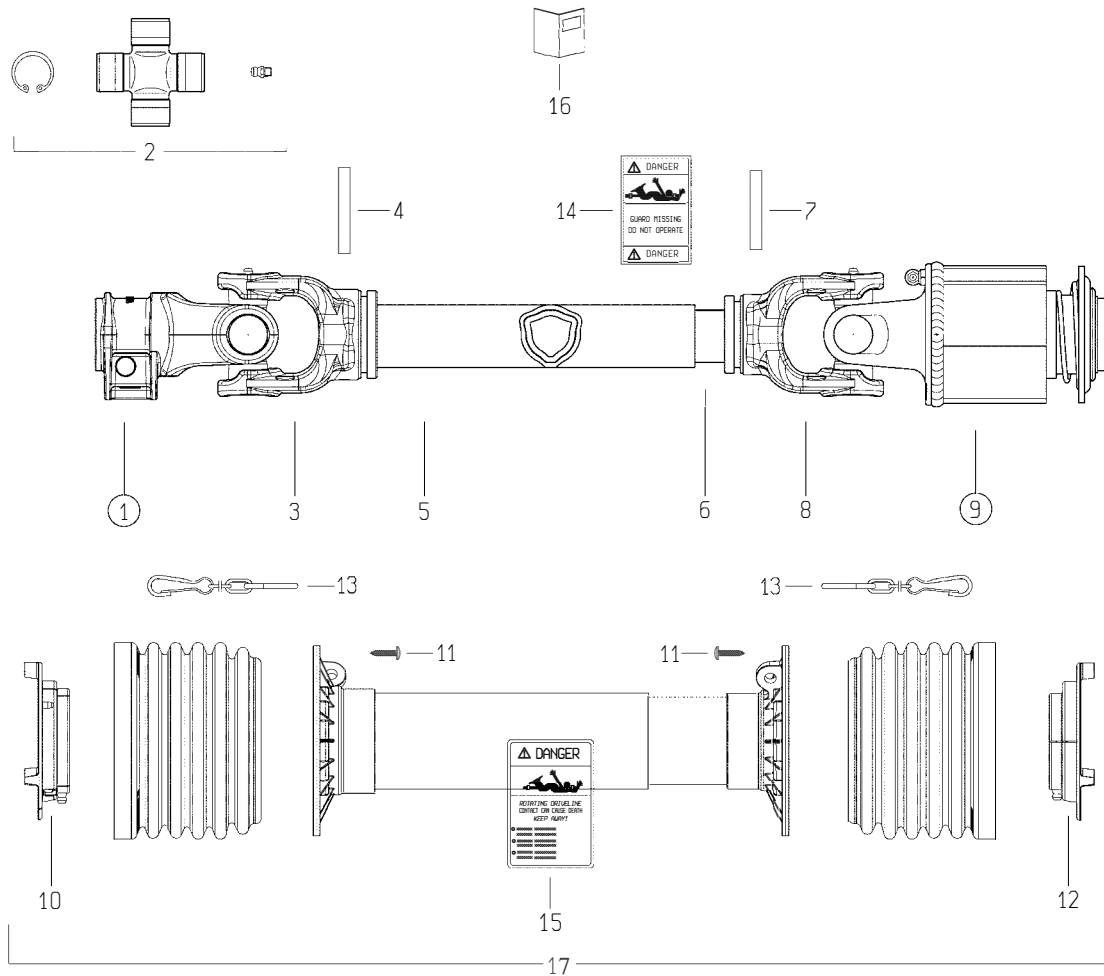
Rotor Gearbox Assembly

Part numbers with ** are not available to purchase individually. You will need to buy the whole gearbox to obtain these parts



Ref#	Description	Part#
1	Oil Seal	702632
2	Retaining Ring, 60MM	702635
3	Retaining Ring, 95MM	702636
4	Ball Bearing, 6012	702634
5	Rotor Pinion, 16T	702850
6	Oil Seal	702657
7	M16-1.5 Hex Plug	704055
8	Gearbox Housing	702600
9	Ball Bearing, 16016	702631
10	Oil Seal	702651
11	Ring Gear, 42T	702601
12	Oil Seal	702658
13	Ball Bearing, 6011-2RS	702633
14	Washer	702659
15	Retaining Ring, 55MM	702660
16	Spindle Shaft Assembly	703761
	Gearbox Counter Clockwise	704002
	Gearbox Clockwise	704019
17	1/2-13 x 1.50 HH Bolt Zinc	000435
18	1/2" Serrated Conical Washer	702821

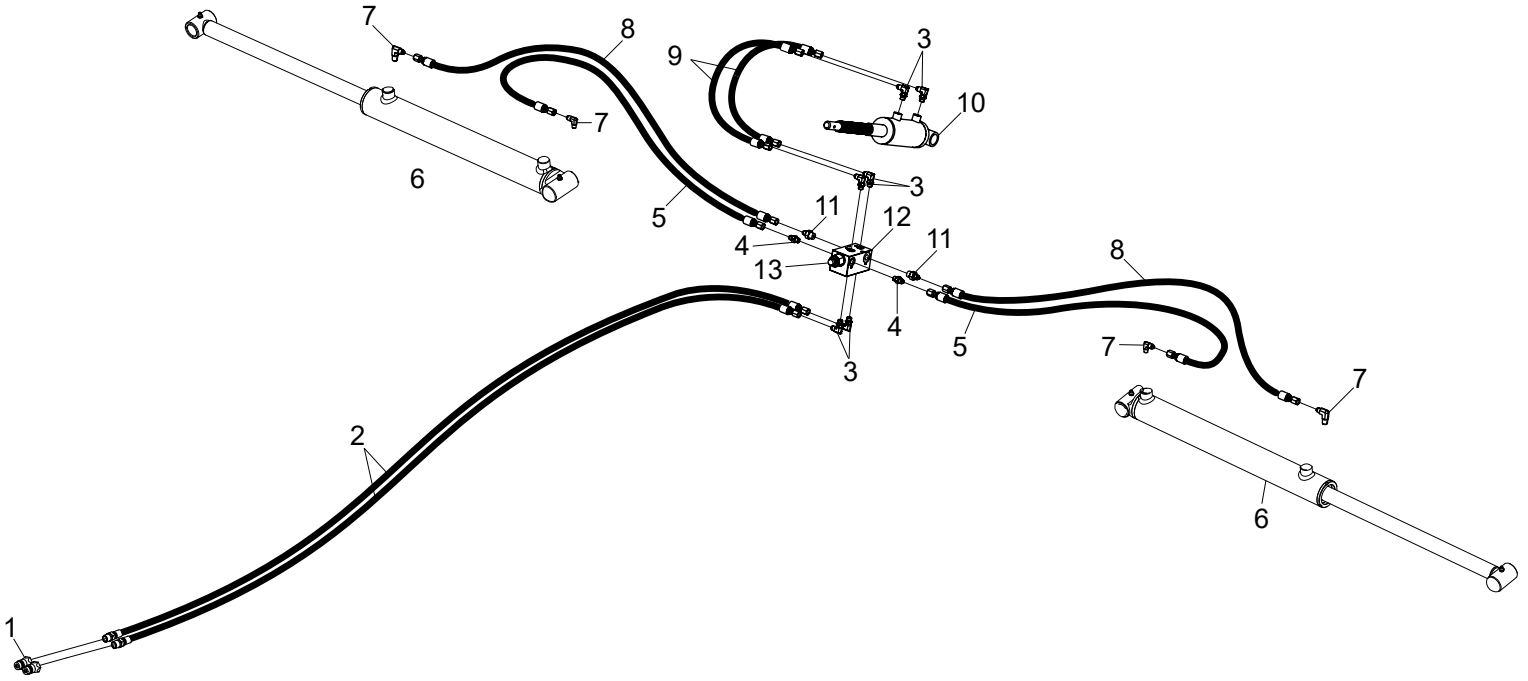
PTO Shaft



Ref#	Description	Part#
1	Yoke #4/S4 1-3/8"Z6 Shrouded Pin (007)	500427
2	Cross Kit S4-G4 27X74.6 Cap Zerk	500428
3	Tube Yoke #4-G4 Outer (43.5)	500429
4	Flexible Roll Pin 8X60 Din1481	500430
5	Cardan Tube Outer 12508 L=1270	500431
6	Cardan Tube Inner 12507 L=1270	500432
7	Flexible Roll Pin 8X55 Din1481	500433
8	Tube Yoke #4-G4 Inner (36.0)	500434
9	Ratchet Clutch Assembly	500435

Ref#	Description	Part#
10	Shield Support Outer G3-G4	500436
11	Screw 4.8X22 Self Tap Zinc	500417
12	Shield Support Inner G3-G4	500437
13	Shield Chain W/S-Hook L=500Mm	500420
14	Label - Danger - Outer Drive Tube	500421
15	Label - Danger - Outer Shield Tube	500422
16	Instruction Booklet	500423
17	Complete Shield Kit	701080
	Complete PTO Shaft	701034

Hydraulics



Ref#	Description	Part#
1	Hydraulic Coupler	290105
2	Hose, 118"	701039
3	90 Degree Fitting, #4 MJ x #4 MB	700948
4	Straight Fitting	290195
5	Hose, 41"	701038
6	Cylinder	703969
7	Elbow Fitting	700907
8	Hose, 52.5"	702844
9	Hose, 15-1/2"	703379
10	Front Tilt Cylinder, No Manifold	703604
11	#4MB x 6MJ Orifice 0.062"	703620
12	4102 Manifold (Includes Relief Valve)	703619
13	Bi-Directional Relief Valve 400 psi	704214

Decals



Ref#	Description	Part#	Qty
1	TT4102 Decal	703707	2
2	TurboTedder Decal	702196	2
3	Warning, Speed	903124	1
4	Warning, Thrown Objects	903106	2
5	Warning, Prevent Entanglement	903123	2
6	Warning, Hydraulic Pressure	903114	1
7	Warning, Crushing Hazard	903134	1
8	Amber Retroreflective Decal	903121	1
9	Red Retroreflective Decal	903112	2
10	Caution, General Information	903103	1
11	Caution, 540 PTO	903107	1
	Complete Decal Kit, TT4102	704134	1