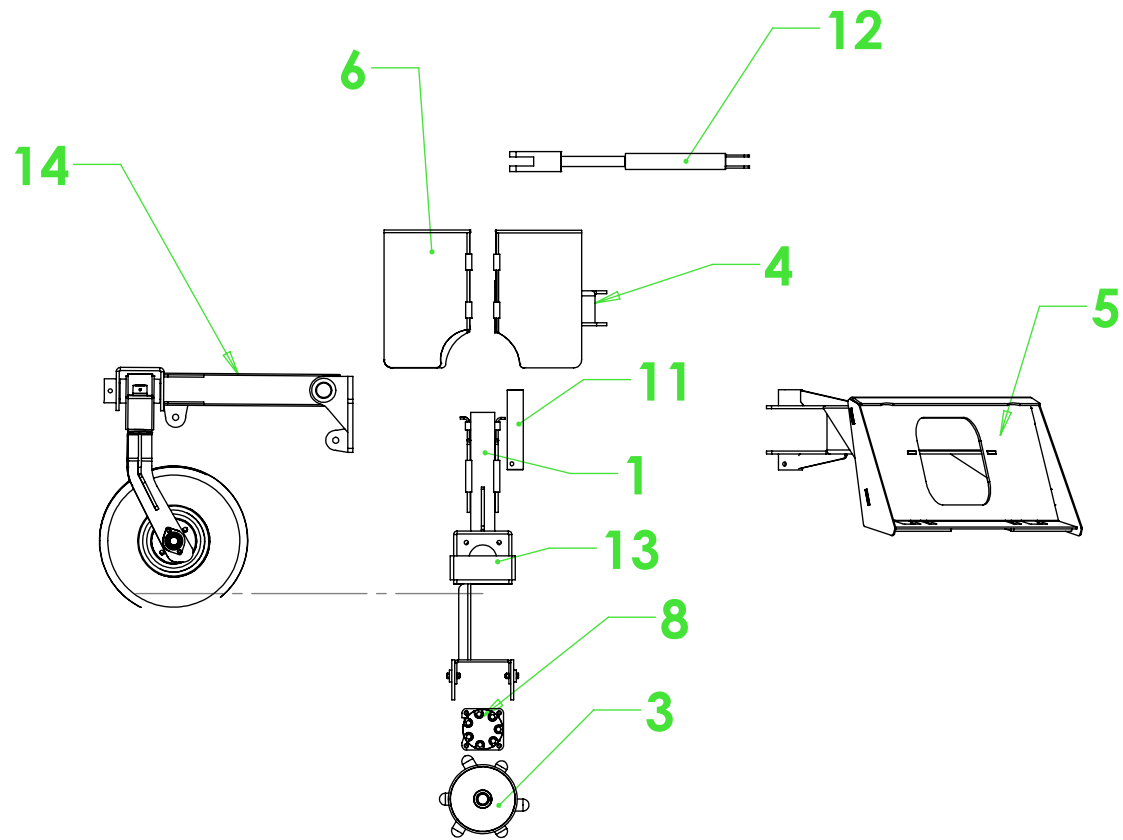
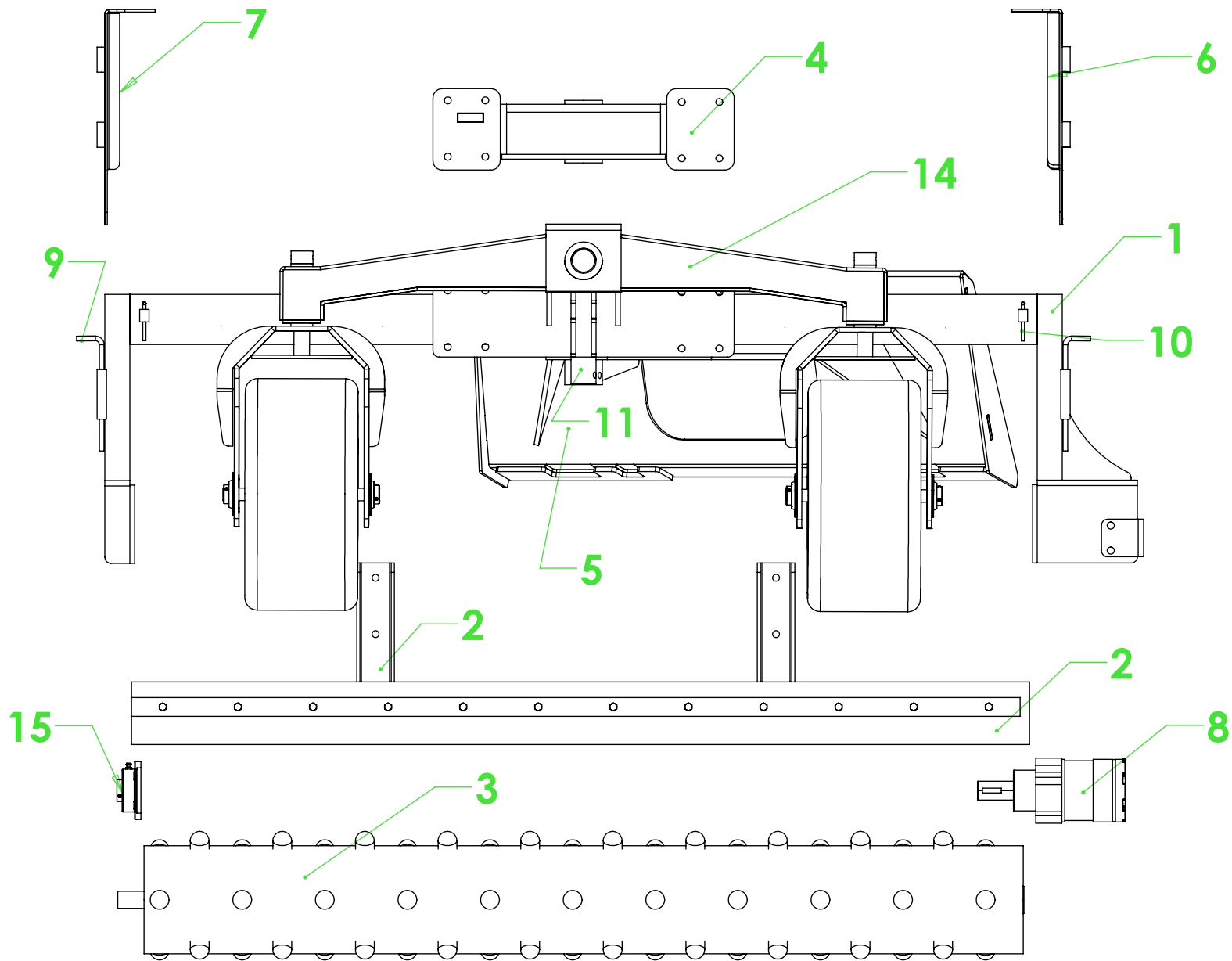


ITEM NO.	PART NUMBER	DESCRIPTION	QTY.
1	72-100W140		1
2	RA-100A101		1
3	RA-72A100	ROLLER ASSEMBLY	1
4	72-100W115	MOUNT FRAME ASSEMBLY FRONT	1
5	72-100W120		1
6	72-100W135		2
7	72-100W136		2
8	LARGE TILLER	HYDRAULIC MOTOR	1
9	RA-100M104	MUDFLAP PIN OUTER	4
10	RA-100M105	MUDFLAP PIN INNER	4
11	RA-100M103	PIN	1
12	HCL2008		1
13	RA-100L133	Baring mount support	1
14	200A101	Main Assembly	1
15	5967K113		1

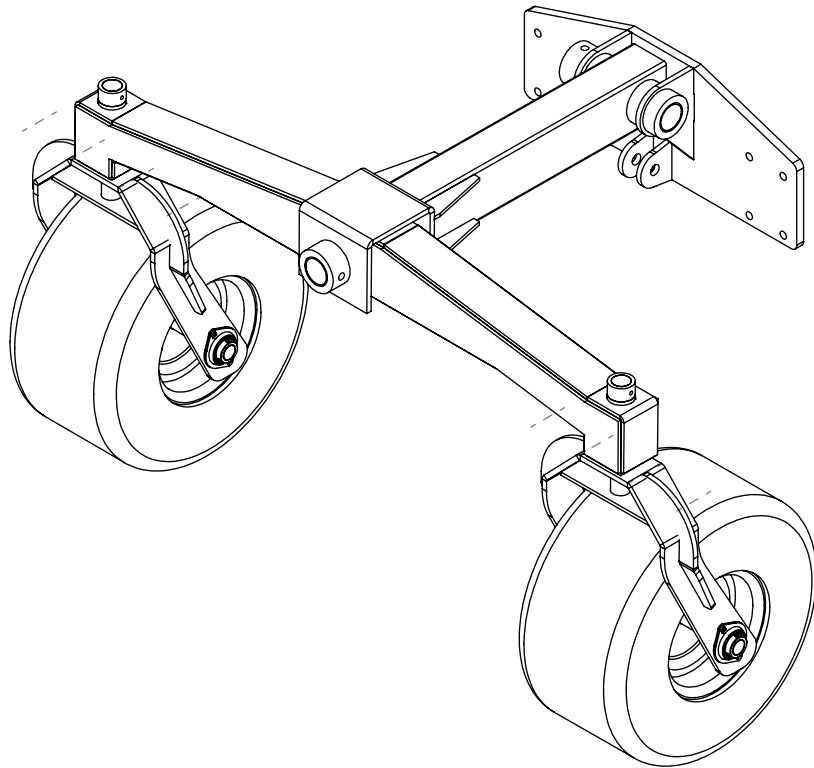
DO NOT SCALE DRAWING	MATERIAL:	FINISH:	PART NO. 72-100A100	REV A	REV DATE: 11/10/2020 AUTHOR:	Streamside Industries 4181 Boomer Line St Clements, ON N0B 2M0
UNLESS OTHERWISE SPECIFIED DIMENSIONS ARE IN INCHES	WEIGHT LBS:	SCALE: 1:48	TITLE:			
Sheet Name: Sheet1	PROJECT:	SHEET 1 OF 6				



DO NOT SCALE DRAWING	MATERIAL:	FINISH:	PART NO. 72-100A100	REV A	REV DATE: 11/10/2020 AUTHOR:	Streamside Industries 4181 Boomer Line St Clements, ON N0B 2M0
UNLESS OTHERWISE SPECIFIED DIMENSIONS ARE IN INCHES	WEIGHT LBS:	SCALE: 1:48	TITLE:			
Sheet Name: Sheet2	PROJECT:	SHEET 2 OF 6				

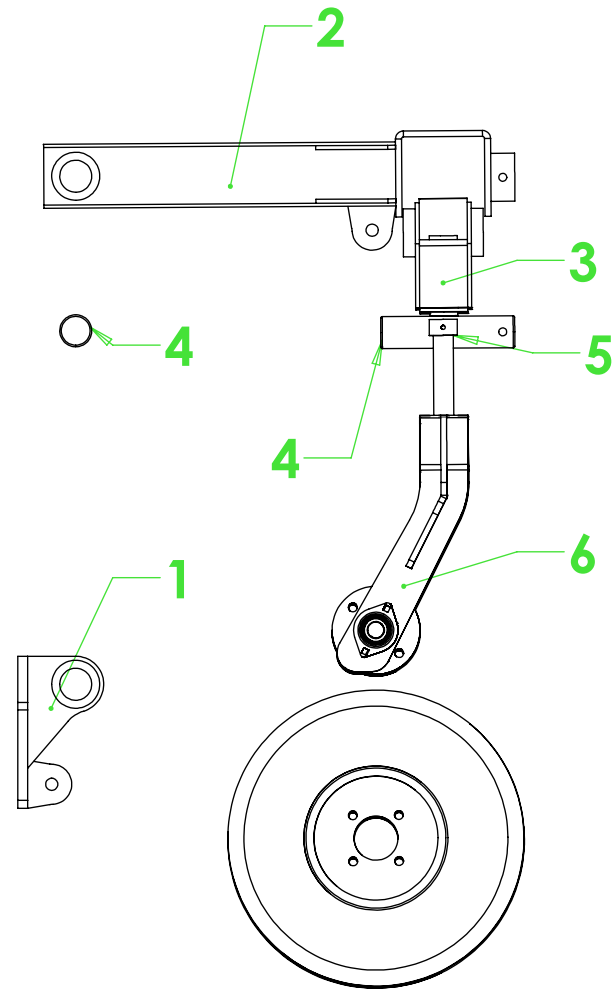
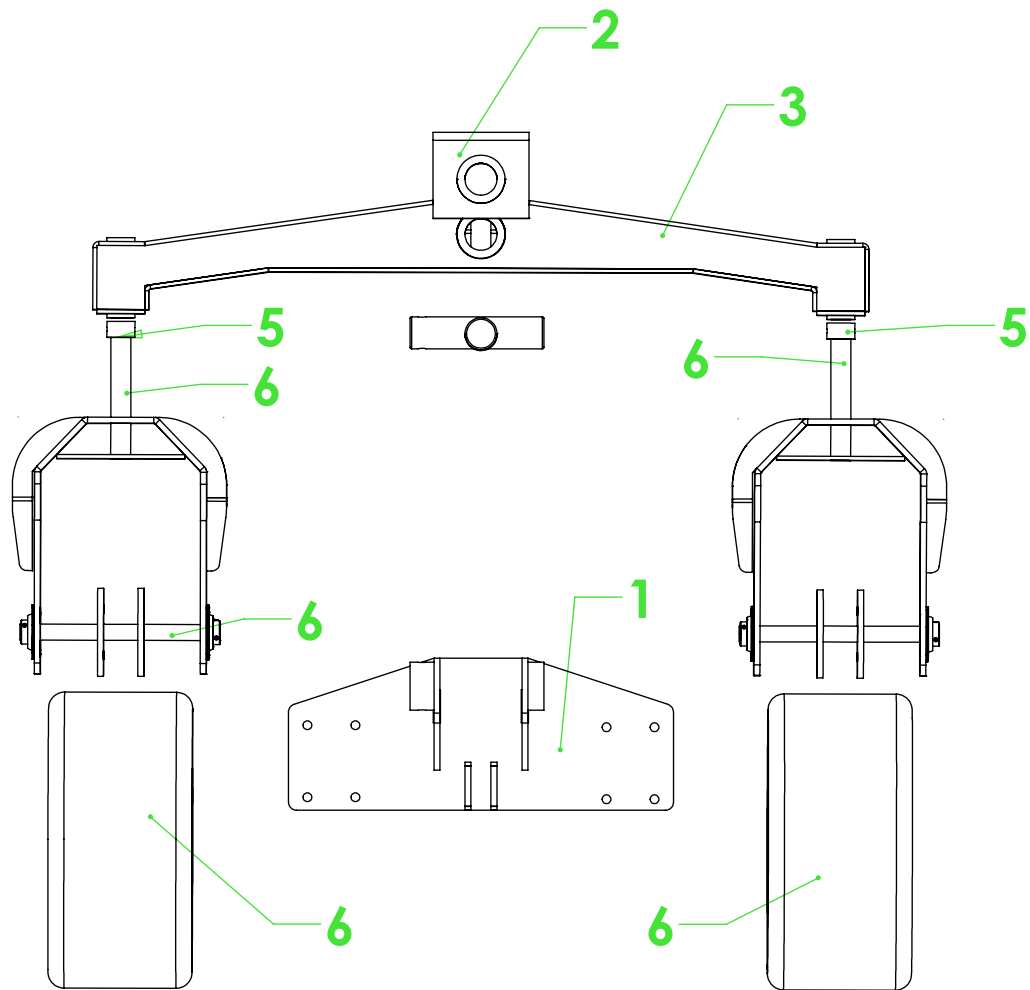


DO NOT SCALE DRAWING	MATERIAL:	FINISH:	PART NO. 72-100A100	REV A	REV DATE: 11/10/2020 AUTHOR:	Streamside Industries 4181 Boomer Line St Clements, ON NOB 2M0
UNLESS OTHERWISE SPECIFIED DIMENSIONS ARE IN INCHES	WEIGHT LBS:	SCALE: 1:48	TITLE:			
Sheet Name: Sheet3	PROJECT:	SHEET 3 OF 6				

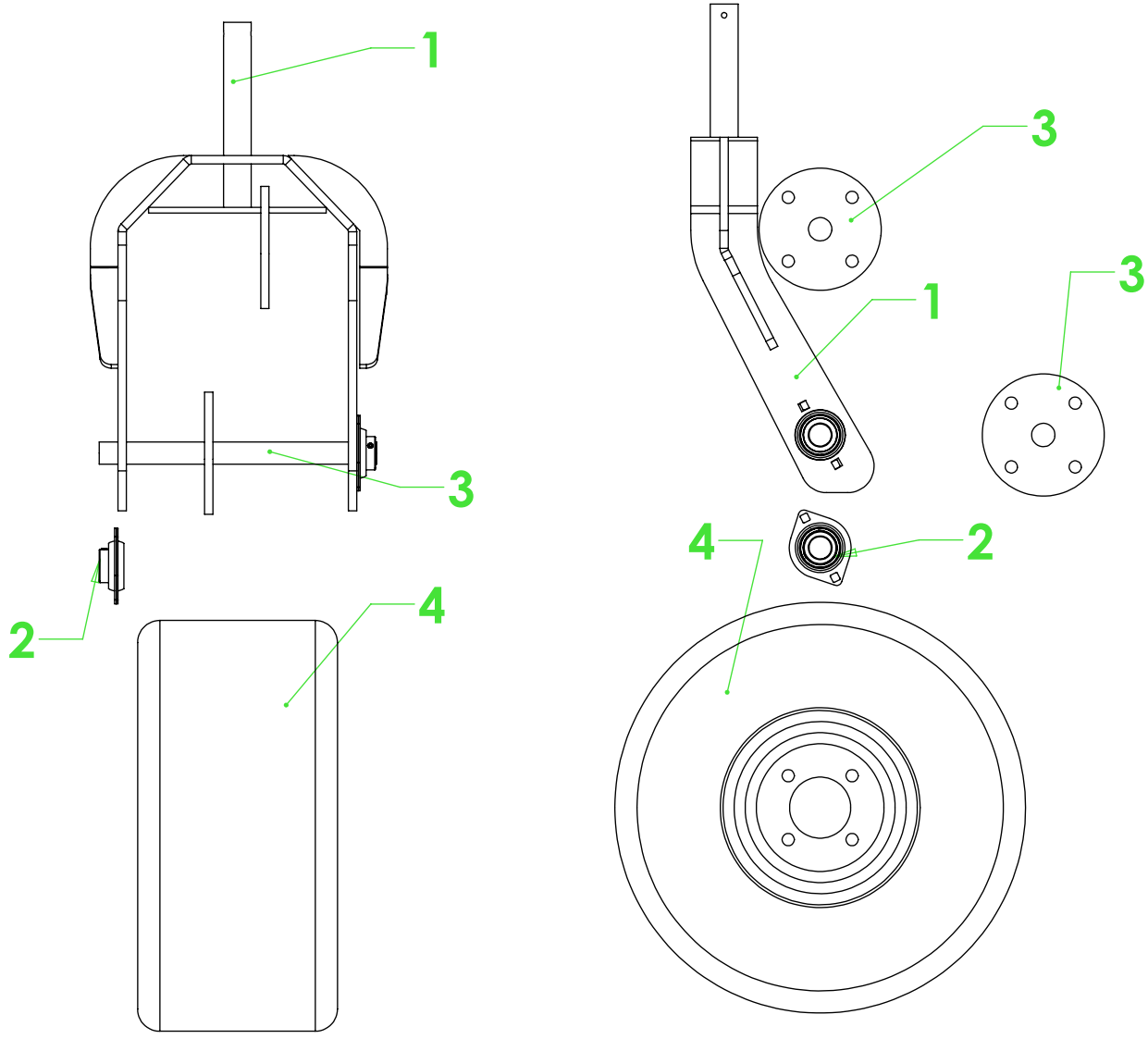


ITEM NO.	PART NUMBER	DESCRIPTION	QTY.
1	200W103	Mount Plate	1
2	200W102	Arm	1
3	200W101	Main Pivot Arm	1
4	200M104	2x8.375 pin	2
5	200M107	Top Wheel bushing	2
6	200A103	Wheel Assembly	2

DO NOT SCALE DRAWING	MATERIAL:	FINISH:	PART NO. 200A101	REV A	REV DATE: 11/10/2020 AUTHOR:	Streamside Industries 4181 Boomer Line St Clements, ON N0B 2M0
UNLESS OTHERWISE SPECIFIED DIMENSIONS ARE IN INCHES	WEIGHT LBS:	SCALE: 1:48	TITLE: Main Assembly			
Sheet Name: Sheet4	PROJECT:	SHEET 4 OF 6				



DO NOT SCALE DRAWING	MATERIAL:	FINISH:	PART NO. 200A101	REV A	REV DATE: 11/10/2020 AUTHOR:	Streamside Industries 4181 Boomer Line St Clements, ON NOB 2M0
UNLESS OTHERWISE SPECIFIED DIMENSIONS ARE IN INCHES	WEIGHT LBS:	SCALE: 1:48	TITLE: Main Assembly			
Sheet Name: Sheet5	PROJECT:	SHEET 5 OF 6				



ITEM NO.	PART NUMBER	DESCRIPTION	QTY.
1	200W107	Wheel	1
2	5913K74		2
3	200W106	Wheel pin	1
4	18.5x8.5-8 tires		1

DO NOT SCALE DRAWING
UNLESS OTHERWISE SPECIFIED DIMENSIONS ARE IN INCHES
Sheet Name: **Sheet6**

MATERIAL:
WEIGHT LBS:
PROJECT:

FINISH:
SCALE: 1:48
SHEET 6 OF 6

PART NO. **200A103**
TITLE: **Wheel Assembly**

REV **A**
REV DATE: 11/10/2020
AUTHOR:

Streamside Industries
4181 Boomer Line
St Clements, ON NOB 2M0