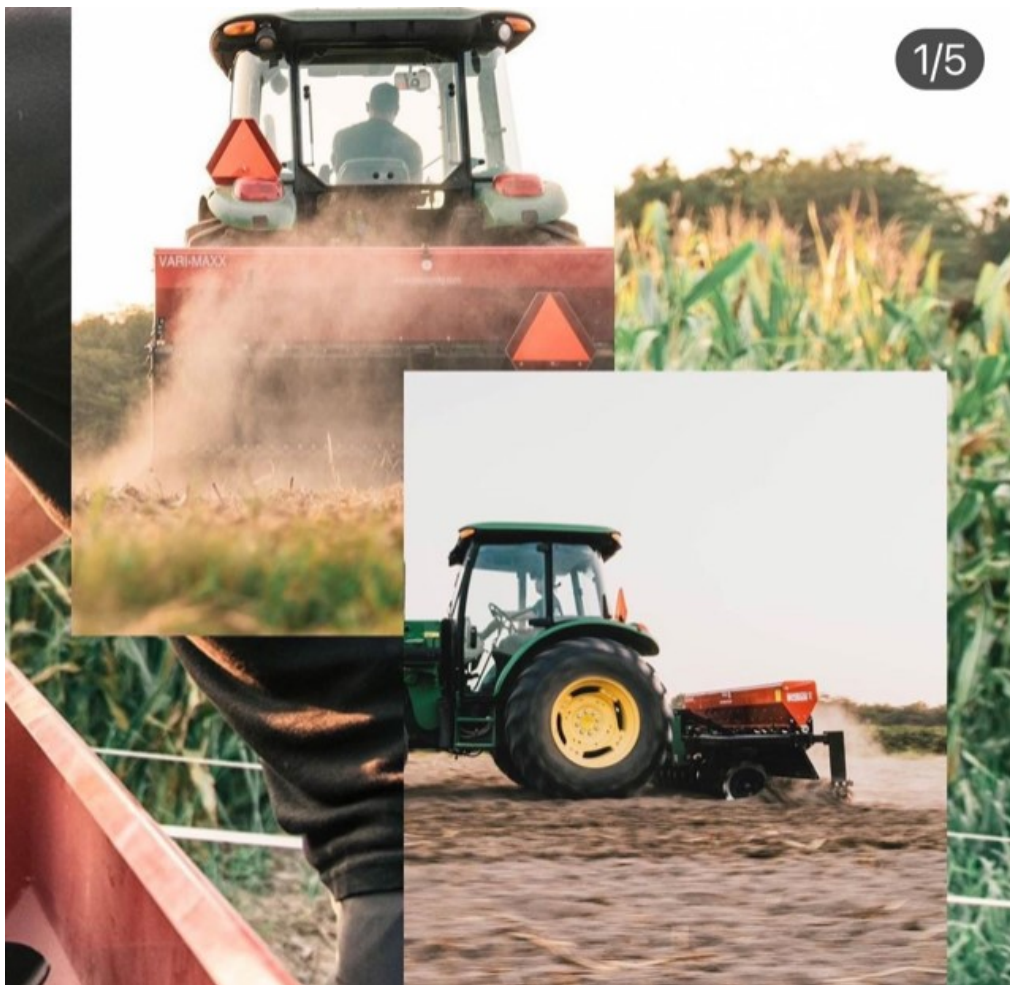




# THE VARI-MAXX

*Till & Seed Planter*

*Models KVM-486, KVM-606, KVM-726, and KVM-966*



170 West 600 North

Shelbyville, Indiana 46176

800.458.9129

[www.kascomfg.com](http://www.kascomfg.com)

## **THANK YOU!**

You have invested in the best implement of its type on the market today.

The care you give your Kasco equipment will greatly determine your satisfaction with its performance and its service life. We urge a careful study of this manual to provide you with a thorough understanding of your new implement before operating, as well as suggestions for operation and maintenance.

If your manual should become lost or destroyed, Kasco will be glad to provide you with a new copy. Please call us at 1-800-458-9129, or visit our website for an downloadable copy.

Because Kasco maintains an ongoing program of product improvement, we reserve the right to make improvements in design or changes in specifications without incurring any obligation to install them on units previously sold.

## **RETAIL CUSTOMER'S RESPONSIBILITY**

It is the Retail Customer and/or Operator's responsibility to read the Operator's Manual, to operate, maintain and store the product in accordance with all instructions and safety procedures. Failure of the operator to read the Operator's Manual is a misuse of this equipment.

It is the Retail Customer and/or Operator's responsibility to inspect the product and to have any part(s) repaired or replaced when continued operation would cause damage or excessive wear to the other parts or cause a safety hazard.

It is the Retail Customer and/or Operator's responsibility to contact Kasco immediately for any warranty claims. Claims for warranty consideration must be made within seven (7) days of failure.

It is the Retail Customer and/or Operator's responsibility for any cost incurred by the dealer for traveling to or hauling of the product for the purpose of performing a warranty obligation or inspection.



# LIMITED WARRANTY

---

Kasco Mfg. Co., Inc. warrants all its products against defects in material and workmanship for one year after date of retail purchase, except those components not manufactured by Kasco, as those parts are warranted only to the extent of the original manufacturer's warranty.

Should any part manufactured by Kasco prove defective within one year from date of retail purchase, supposed defective part shall be returned freight paid to Kasco for consideration. If found to be defective by Kasco, credit will be issued through the proper channels, distributor and/or dealer.

Kasco will not assume liability for any labor costs, loss or damage caused by a defective part, consequential damages, or operational delays.

Altering or misuse of a part will void this warranty. Repairing a part without the expressed permission of Kasco voids this warranty.

Kasco neither assumes nor authorizes any person to assume for Kasco any other obligations or liability in connection with the sale of its equipment

Kasco reserves the right to make improvements in design or changes in specifications at any time without incurring any obligations to owners of equipment previously sold.

# IMPORTANT SAFETY PRECAUTIONS

This symbol is used to call attention to safety precautions that should be followed by the operator to avoid accidents. When you see this symbol, carefully read the message that follows and heed its advice. Failure to comply with safety precautions could result in serious bodily injury.



Safety of the operator is one of the main concerns in designing and developing a piece of equipment. This product was designed by Kasco with as many safety features as possible. However, every year many accidents occur which could have been avoided by a few seconds of thought and a more careful approach to handling equipment. You, the operator, can avoid many accidents by observing the following precautions in this section. To avoid personal injury, study the following precautions and insist those working with you, and for you, follow them.

1. Read the Operator's Manual. Failure to read the Operator's Manual is considered a misuse of this equipment.
2. Become familiar with all the machine's controls and all the caution, warning, and danger decals affixed to the machine before attempting to start or operate.
3. Before starting or operating the machine, make a walk around inspection and check for obvious defects such as loose mounting bolts and damaged components. Correct any deficiency before starting.
4. Do not allow children to operate the implement. Do not allow adults to operate it without proper instruction.
5. Do not carry passengers.
6. Keep the area of operation clear of all persons, particularly small children and pets. The operator should cease operation whenever anyone comes within the area.
7. Lower the implement to the ground, stop tractor engine, and apply parking brake before leaving the vehicle.
8. Keep hands and feet away from implement.
9. Wear personal protective equipment such as, but not limited to, protection for eyes, ears, feet, hands, and head when operating or repairing the equipment. **Do not wear loose clothing or jewelry that may catch on equipment's moving parts.**
10. When performing adjustments or maintenance on the implement, first lower it to the ground or block it securely at a workable height.
11. Never stand between the tractor and implement when the tractor is being backed to the hitch.
12. Reduce speed when transporting implement to avoid bouncing and momentary loss of steering.
13. Use tractor flashing warning lights, day or night, when transporting implement on road or highways unless prohibited by law.
14. Use a rollover protective structure and seat belt equipped tractor for all implement operations.



**ALWAYS HEED ALL CAUTION  
AND DANGER WARNINGS.**

# SPECIFICATIONS

- ◆ 6" row spacing; Single Seedbox with Single Row of Disc Blades
- ◆ Cast Iron Cultipacker
- ◆ Ground Driven with drive lock out mechanism on seedbox
- ◆ Enclosed chain guard for cultipacker
- ◆ Adjustable disc angle
- ◆ Wobble-slot seed meters for complete metering control
- ◆ Optional Brome Agitator
- ◆ For Worked Ground or Existing Stand
- ◆ Short-Coupled for Use Behind Smaller HP Tractors

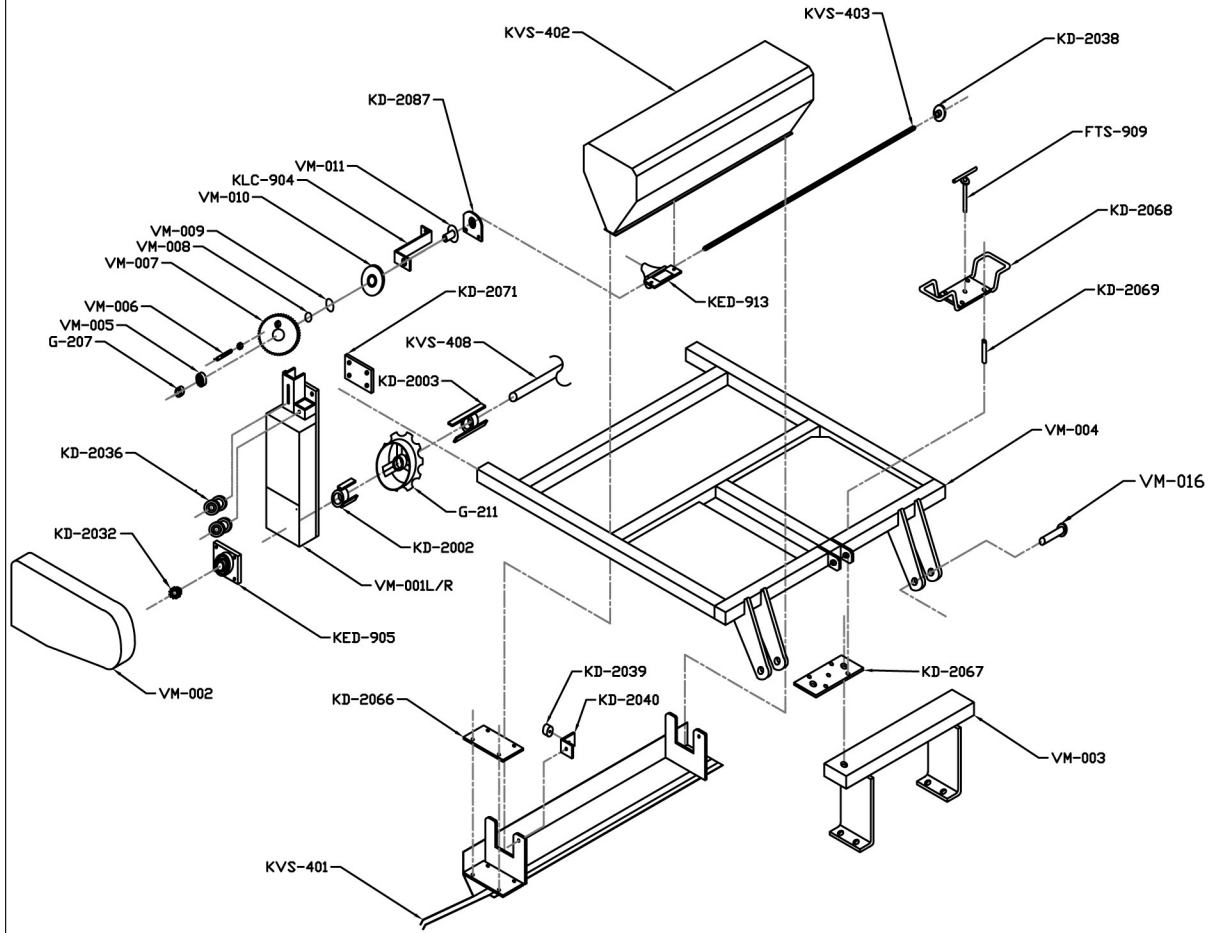
## BEFORE OPERATING OR SERVICING

- Avoid working under the unit; however, if it becomes absolutely necessary, make sure the implement is safely blocked.
- Always make certain everyone and everything is clear of the machine before beginning operation.
- Verify that all safety shields are in place and secure.
- Ensure that all applicable safety decals are installed and legible.

## DURING OPERATION

- Regulate speed to field conditions. Maintain complete control at all times.
- Never lubricate equipment while in operation.
- Keep away from overhead power lines. Electrical shock can cause serious injury or death.
- Use extreme care when operating close to ditches, fences, or on hillsides.
- Do not leave towing vehicle unattended with engine running.
- Seed being transported can contain seed treatment. Read and follow all requirements for personal protective equipment and first aid as outlined on seed tags.

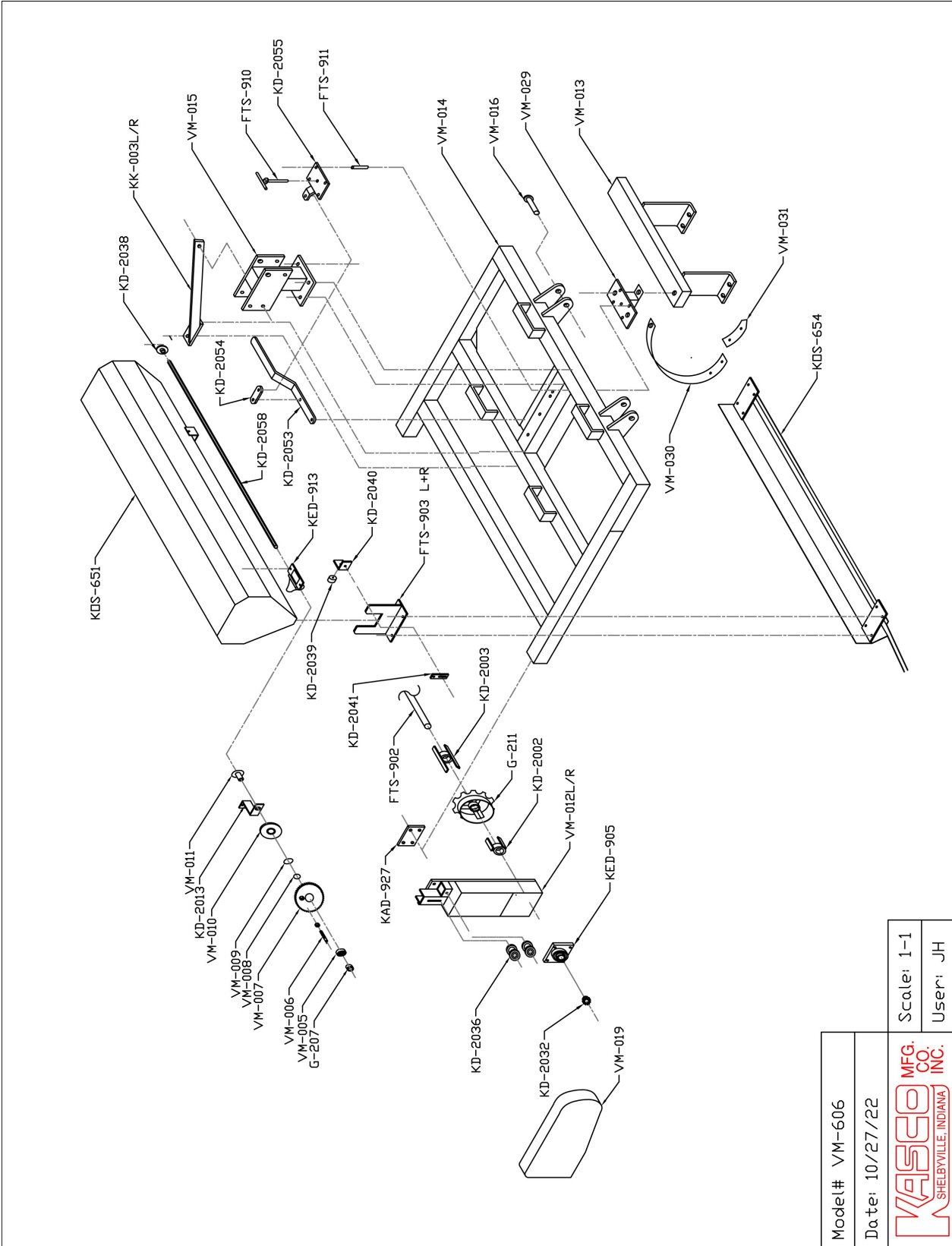
# MODELS KVM-486



<p>170 WEST 600 NORTH SHELBYVILLE, IN 46176 1-800-458-9129</p>
<p>DRAWN BY: Jon Hoop</p>
<p>V/M 406</p>

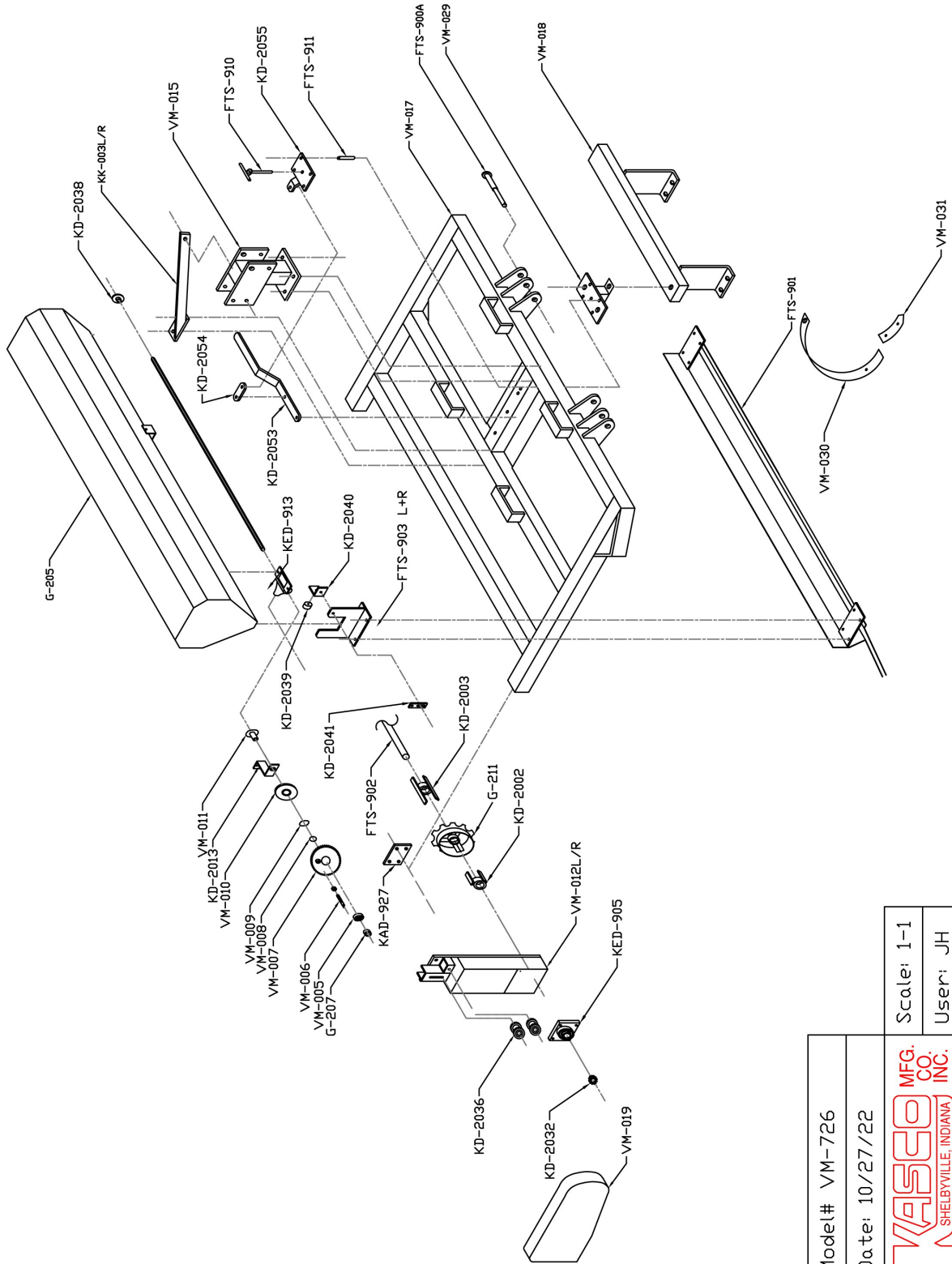
<p>DWG. NO.: 1</p>
<p>DATE DRAWN: 10/26/22</p>
<p>SHEET NO.: 1</p>
<p>REVISION NO.: 1</p>

# Model KVM-606



Model# VM-606	Scale: 1-1
Date: 10/27/22	User: JH

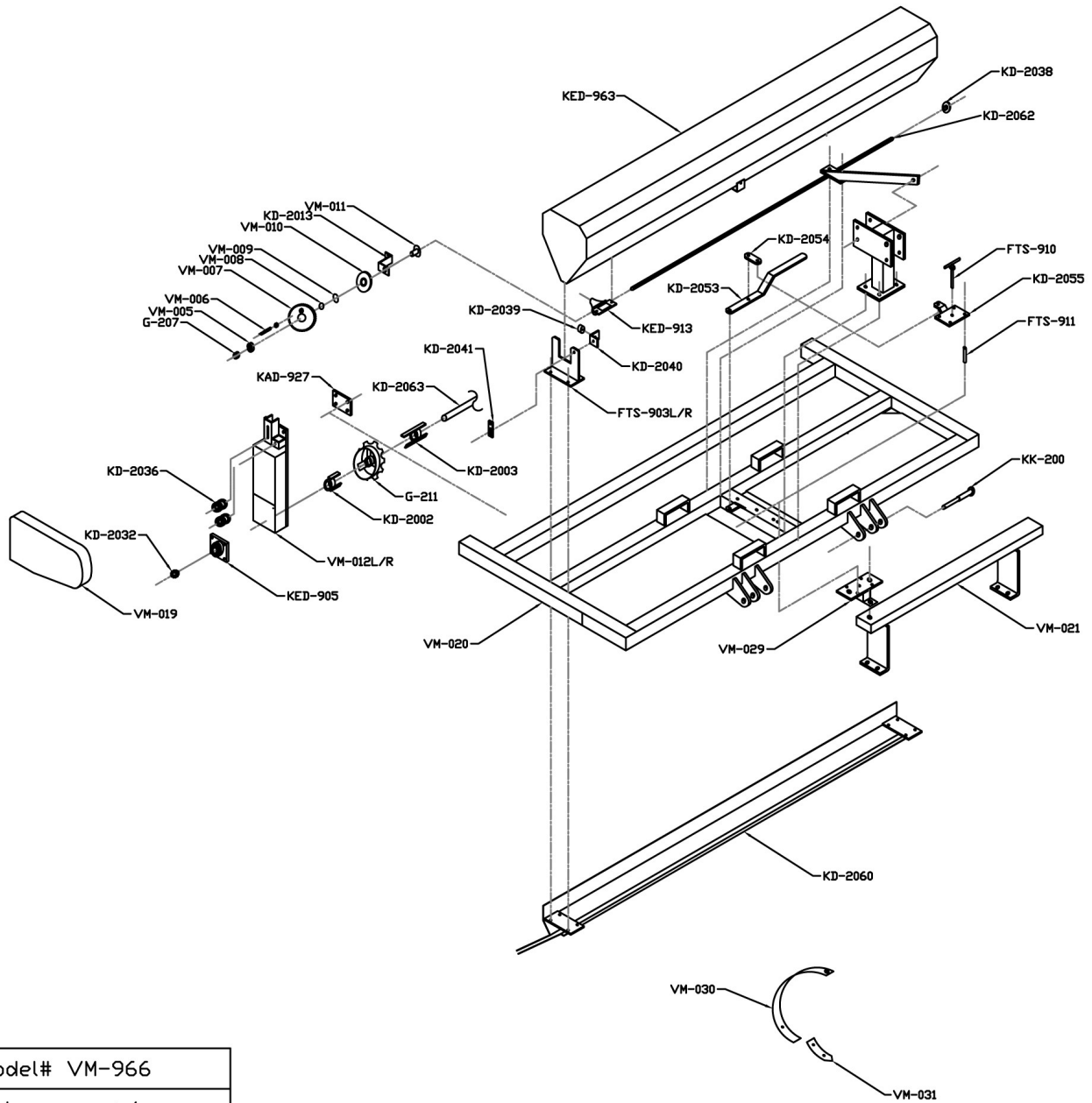
# Model KVM-726



Model# VM-726	Scale: 1-1
Date: 10/27/22	User: JH



# Model KVM-966



Model# VM-966

Tolerance: +/-

Date: 10/27/22

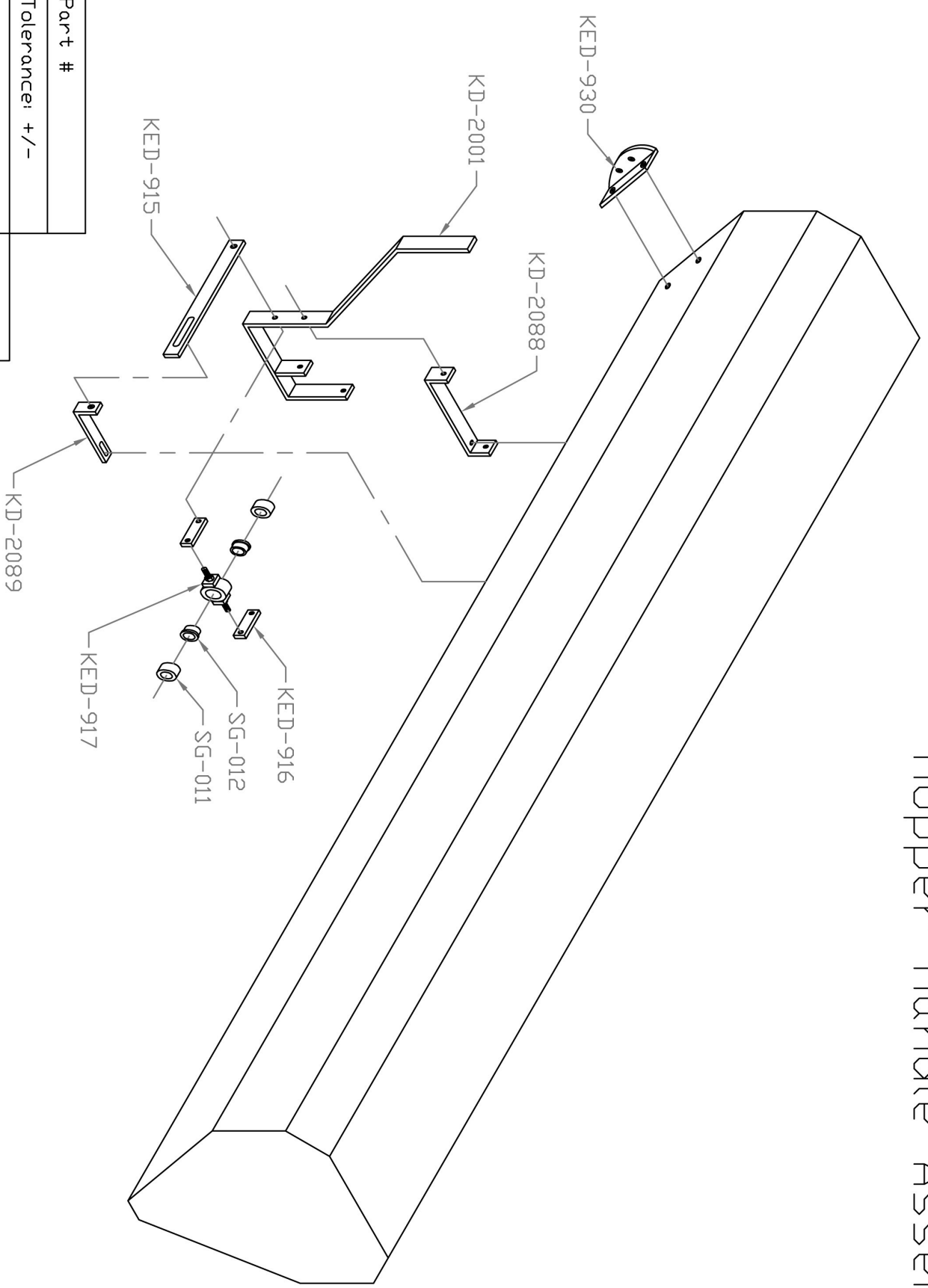
Rev.#



Scale:

User:

# Hopper Handle Assembly

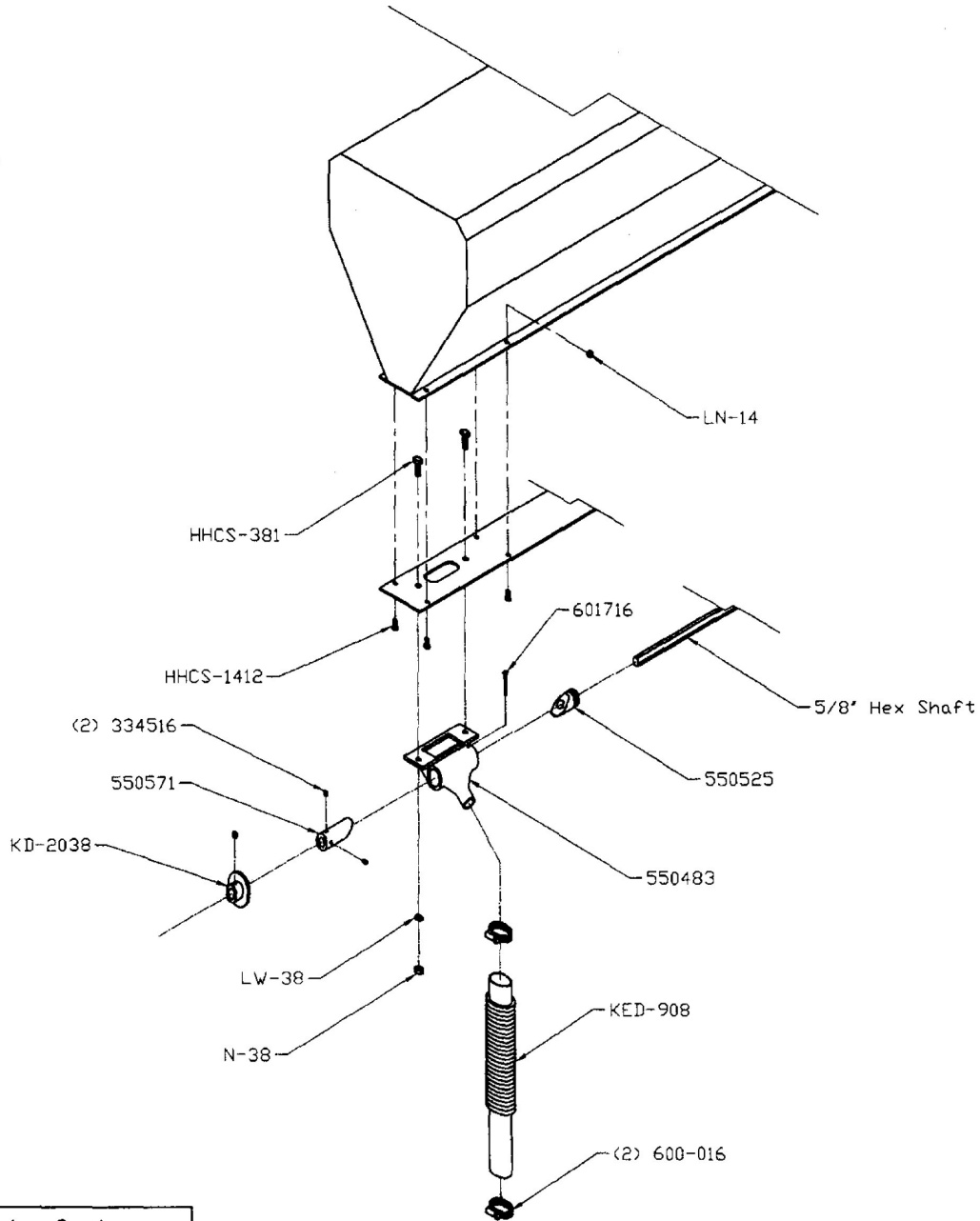


Part #	
Tolerance: +/-	
Date:	
Rev. #	
Scale:	
User:	

**KASCO**  
SHELBYVILLE, INDIANA

MFG.  
CO.  
INC.

# METER SYSTEM



Metering System

Tolerance: +/-

Date: 04/22/05

Rev.# 1

**KASCO**  
SHELBYVILLE, INDIANA

MFG.  
CO.  
INC.

Scale: 1-1

User: JH

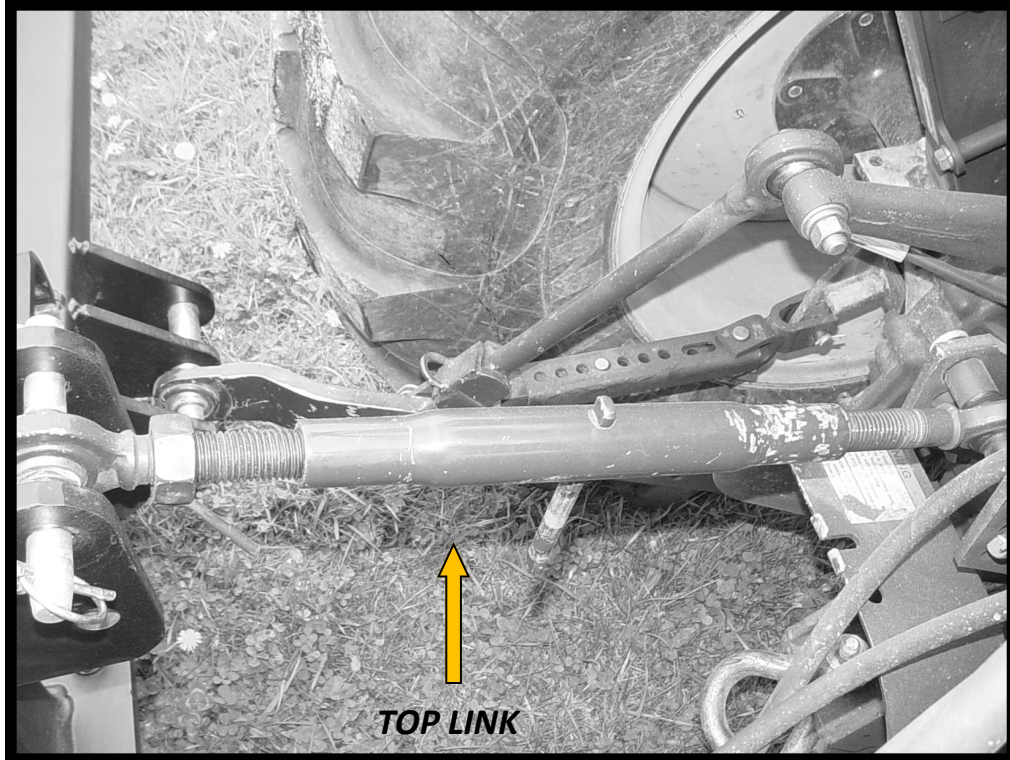
## SEED CHART - Kasco Drills/Seeders

Crop	Seeding Rate	Seed Drop
	lbs/ acre	Setting
Alfalfa	15-20	3/16"
Bahia	25-30	1/8"
Bermuda Grass, Common	10-20	1/16"
Birdsfoot Trefoil	8-10	3/32"
Blue Grass	60-100	5/8"
Buckwheat	45-60	7/16"
Clover, Red	8-12	1/8"
Clover, Sweet	10-13	3/16"
Illinois Bundleflower	2-3	1/16"
Millet, Brown Top	30-50	3/8"
Milo (grain sorghum)	10-25	3/16"
Oats	65-95	11/16"
Orchardgrass	10-12	3/8"
Partridge Peas	10-15	1/8"
Peas, Austrian Winter	90-120	11/16"
Rye Grass	80-110	1/2"
Rye, Grain	80-110	9/16"
Switchgrass	8-14	1/8"
Timothy	8-12	1/8"
Turf Grass Mix	60-100	5/8"
Turnips	3-4	1/16"
Wheat	120-180	3/4"
Crop	Seeding Rate	Seed Drop
	Spacing	Setting
Corn	6" - 7"	5/8"
Soybeans	3" - 4"	5/8"
Sunflowers	4" - 5"	3/8"

**NOTE:** This seeding chart is to be used as a guide only. Desired seeding rate (pounds/acre) may vary according to application and geographic location.

**NOTE:** Recommended seeding rate is for pure stand; rates will be reduced in seed mixes.

## DEPTH CONTROL



Depth Control is determined by One Measurement

The front slicing disc can be adjusted by the top link. Shortening the top link will put more depth and pressure on to the slicing discs; lengthening the top link will remove depth and pressure from the slicing discs.

# Metering System Calibration Calculations

Every attempt has been made to provide settings for the most common seeds which are used in the Drill. However, it is understood that other seed types and/or seeding rates may be desired depending upon the usage of the implement. Below is the metering system calibration sequence:

## Steps for Calibration of Seed Metering System

Block all but one seed drop inside the seed hopper.

*Note:* Capture Seed from (1) Metering System Only – Otherwise Conversion Calculations Below Will Be Affected and an Inaccurate Result Will Occur.

2. Place a Small Cup or Plastic Bag or Other Container Directly under the drop shoot to Collect the Seed as it is Metered from the Hopper.

3. Fill the Seed Hopper with a Small Amount of the Seed Type to be calibrated – The Seed can be placed over the Metering System on the Left Side to Reduce Seed Dropped on the Ground.

4. Using the Provided Seed Rate Chart – Set the Metering System to the Approximate Desired Settings.

*Note:* Use the Seed Chart to Judge Seed Size and lbs/acre to find Starting Settings.

5. Raise the Drill off the Ground.

**CAUTION: Use Stands or Jacks to Block the Frame of the Drill To Prevent Serious Crushing Injury!!!**

6. Rotate the Culti-Packer 20 Revolutions – As the Culti-Packer Wheels are Rotating, Seed will Meter from the Hopper. Ensure that Seed Completely Covers the Metering System in the Hopper During the 20 Rotations for Accurate Results. For drills with seed metering drive wheel rotate the drive tire 13 ½ revolutions.

7. Weigh the Captured Seed in “Grams”.

8. Multiply the Seed Weight (in Grams) by 3.2013 to find Seeding Rate in lbs/acre.

9. Adjust the Metering System Opening and Repeat Steps 6 – 8, if Rate needs to be Re-Adjusted.

***Please call Kasco Mfg. Co. Inc. at 1-800-458-9129 if there are any questions or concerns during the calibration of the Drill.***