



ARROWHEAD
R O C K D R I L L

E680
Hydraulic Hammer
Parts Manual



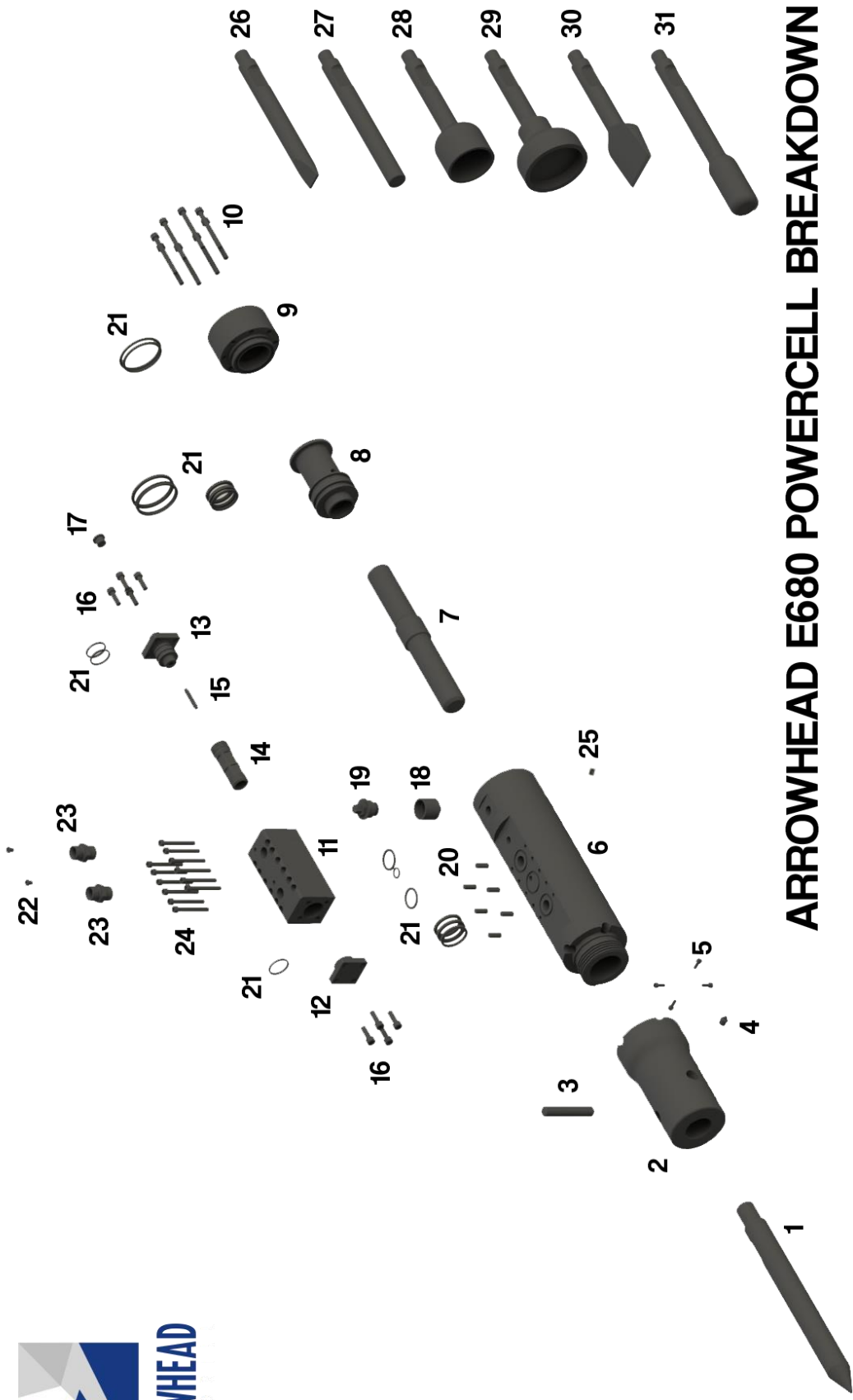
ARROWHEAD

**E680
PARTS
LIST**

Diagram Number	Part Number	Description	Quantity
1	1161301	Moil Point	1
2	1161102	Chuck Housing	1
3	1161311	Tool Retainer	1
4	1011104	Grease Nipple	1
5	1011368	Chuck Retaining Bolt Assembly	4
6	1162101	Main Body	1
7	1161104	Piston	1
8	1042105	Upper Cylinder Liner	1
9	1042103	Cylinder Head	1
10	1011367	Cylinder Head Bolt Assembly	8
11	1051201	Valve Housing	1
12	1051202	Valve Bottom Plate	1
13	1051203	Valve Top Plate	1
14	1051204	Valve Spool	1
15	1051205	Plunger	1
16	1011202	Valve Plate Bolts	8
17	1011201	Pressure Plug	1
18	1011113	Gas Valve Adaptor	1
19	1011105	Gas Valve Assembly	1
20	1011215	Dowel Pins	6
21	1161401	Seal Kit	1
22	1011214	Valve Housing Plug	2
23	1011304	Hose Adaptors	2
24	1011204	Valve to Body Bolts	10
25	1011102	Inspection Port Plug	1
26	1161302	Chisel	1
27	1161303	Blunt	1
28	1161304	1 Piece Post Driver	1
29	1161305	2 Piece Post Driver	1
30	1161306	Tarmac Cutter	1
31	1161307	Power Fist	1
32	1011302	Tool Retaining Rubber Doughnut	1
33	1163309	Hammer Box	1
34	1162313	Decal Set	1
35	1162310	Lower Buffer	1
36	1162315	Upper Buffer	1
37	1052312	Top Bracket	1
38	1011363	Top Bracket Bolt Assembly	6
39	1011329	Inlet/Outlet Pressure Hose	2
40	1011112	Gas Valve Spring	1
41	1011111	Gas Valve Shuttle	1
42	1011110	Gas Valve Small O Ring	1
43	1011109	Gas Valve Large O Ring	1
44	1011108	Gas Valve Dowty Washer	2
45	1011107	Gas Valve Body	1
46	1011106	Gas Valve Dust Cap	1



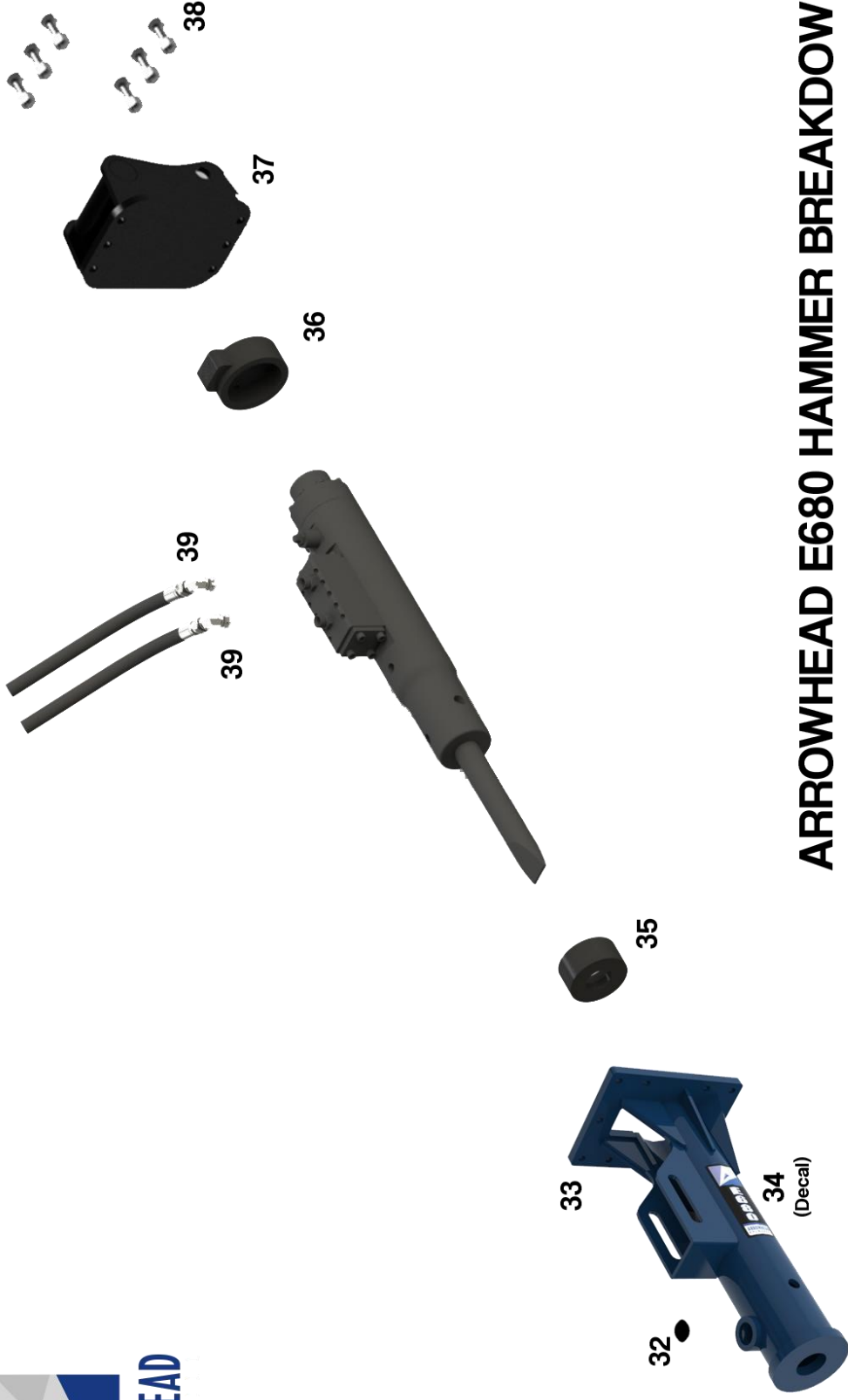
ARROWHEAD



ARROWHEAD E680 POWERCELL BREAKDOWN



ARROWHEAD



ARROWHEAD E680 HAMMER BREAKDOWN



GAS VALVE ASSEMBLY PARTS BREAKDOWN