



ARROWHEAD
ROCKDRILL



**WORLD LEADERS IN
CONSTRUCTION EQUIPMENT**

Contents

- 1 Company History
- 2 R Range Hammers
- 3 R Range Compact Specs
- 4 Skid Steer Hammers
- 5 R Range Heavyweight Specs
- 6 Skid Steer Post Drivers
- 7 Post Drivers
- 8 ACP Compaction Plates
- 9 ACW Compaction Wheels



Company History and Our Values

Since 1978 Arrowhead Rockdrill have been world leaders in the development and manufacture of innovative hydraulically operated construction attachments. All Arrowhead Rockdrill products are designed with efficiency, simplicity and reliability at their core and are manufactured using only the highest quality materials.

All Arrowhead Rockdrill products are designed by our committed in house design team and are manufactured entirely at our production facilities in Chesterfield, England. Our investment in state of the art CNC machinery ensures all Arrowhead products are made only to the highest quality as you would expect of a worldwide market leader.

Value Through Innovation

Arrowhead Rockdrill's straightforward designs give all our products long, trouble free lifetimes with minimal down time adding value to your business and giving rapid returns on your capital investment. All our products come with industry leading after sales and technical support and some of the best warranty programs in the business.



ARROWHEAD
R O C K D R I L L

“ It is our mission to provide premium quality, industry leading products, supported at the highest level, at great prices. This commitment is why Arrowhead Rockdrill products are the first choice for a large number of users all around the globe and why we have products at work on every continent. ”



R

R Range Hydraulic Hammers

Arrowhead Rockdrill's R Range hydraulic hammers bring a new industry leading tie-rodless hammer to the market. Based around a unique patented design the R Range hammers eliminate the need for tie rods in the hammer assembly increasing the robustness of the hammer while simplifying its construction. The R Range hammers are a compact and powerful design suitable for a wide variety of applications all with the effective price and industry leading support our customers deserve.

Features of the RS Range

Tie-rodless hammer design

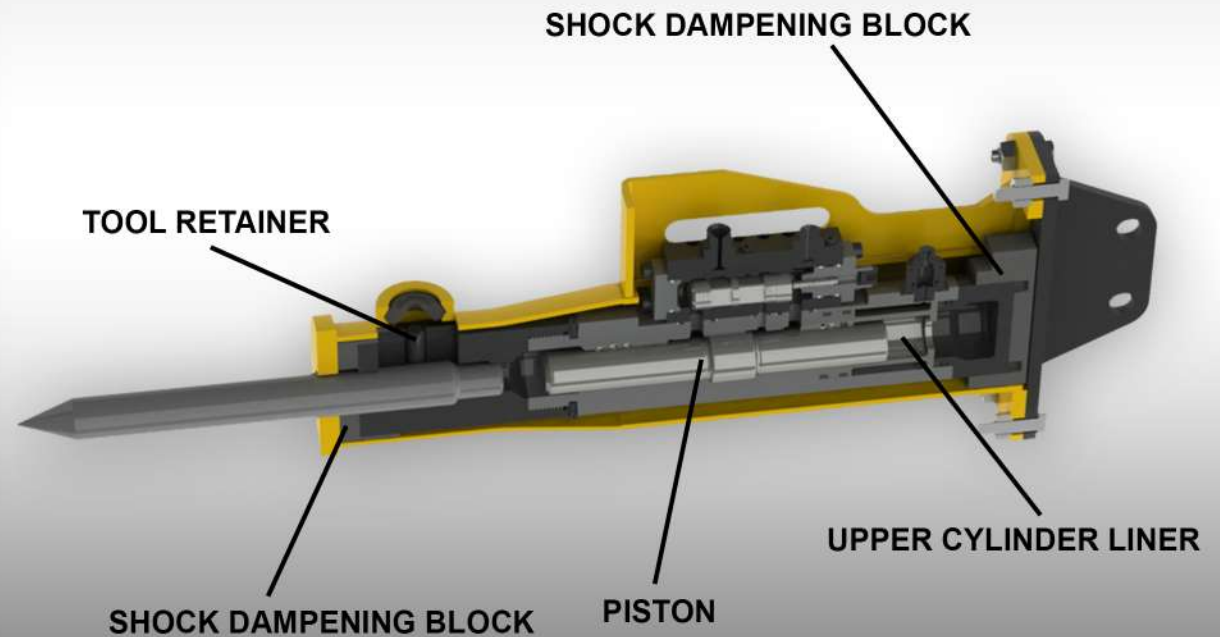
Narrow box design provides superior access to surfaces in confined spaces such as trenching work

Vibration and sound suppressed as standard

The hammer can be fully serviced using no specialty tools

Powerful gas fired operation using less oil at lower working pressures

Excavator friendly



R Range Excavator Specification

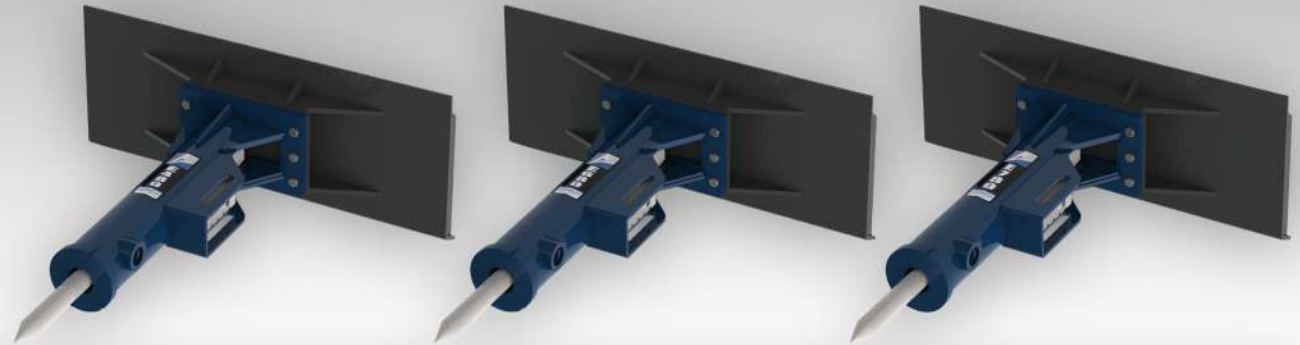


| Hammer Specifications | | R40 | R45 | R55 | R65 | R70 | R75 |
|-----------------------|------------|-------------|-------------|-------------|--------------|---------------|---------------|
| Required Flow Rate | us g/m | 4 - 7 | 5 - 11 | 10 - 15 | 12 - 18 | 14 - 21 | 14 - 26 |
| | L/m | 14 - 30 | 25 - 45 | 40 - 60 | 45 - 70 | 55 - 80 | 65 - 100 |
| Operating Pressure | psi | 1800 | 1300 | 1600 | 1600 | 1600 | 1800 |
| | bar | 120 | 90 | 110 | 110 | 110 | 120 |
| Blow Rate | per minute | 650 - 1100 | 650 - 1100 | 700 - 1250 | 550 - 1200 | 650 - 1400 | 550 - 1200 |
| Sound Rating | dB | 112 | 116 | 117 | 118 | 118 | 121 |
| Tool Diameter | inches | 1.6 | 1.8 | 2.1 | 2.6 | 2.75 | 3.0 |
| | mm | 40 | 45 | 55 | 65 | 70 | 75 |
| Working Weight | lbs | 190 | 265 | 330 | 440 | 485 | 675 |
| | kg | 85 | 120 | 150 | 200 | 220 | 305 |
| Carrier Weight | lbs | 1560 - 2250 | 2250 - 6150 | 4450 - 8890 | 8800 - 11000 | 11000 - 17600 | 13200 - 18700 |
| | tonnes | 0.7 - 1.5 | 1.5 - 2.8 | 2.8 - 4.0 | 4.0 - 5.5 | 5 - 7 | 6.0 - 8.5 |



E Range Skid Steer Hydraulic Hammers

The Arrowhead Rockdrill E range of hydraulic hammers are designed specifically for the user that expects the quality and reliability of a market leading product but requires maximum return on investment with minimum cost of ownership. For the skidsteer machine the Arrowhead Rockdrill E range provides a powerful, simple solution that competes at the highest level but at a price that is difficult to beat.



Features of the E Range

Vibration and sound suppressed as standard

Powerful gas fired operation using less oil at lower working pressures

Heavy duty construction for the toughest jobs

| Hammer Specifications | | E480 | E680 | E780 |
|---------------------------|------------|-------------|--------------|---------------|
| Required Flow Rate | us g/m | 8 - 13 | 13 - 21 | 21 - 32 |
| | L/m | 30 - 50 | 50 - 80 | 80 - 120 |
| Operating Pressure | psi | 1450 | 1595 | 1740 |
| | bar | 100 | 110 | 120 |
| Blow Rate | per minute | 700 - 1250 | 700 - 1400 | 600 - 1200 |
| Sound Rating | dB | 116 | 118 | 121 |
| Tool Diameter | inches | 1.9 | 2.7 | 3.1 |
| | mm | 48 | 68 | 78 |
| Working Weight | lbs | 275 | 620 | 840 |
| | kg | 150 | 280 | 380 |
| Carrier Weight | lbs | 3300 - 6600 | 6600 - 13200 | 13200 - 22000 |
| | tonnes | 1.5 - 3 | 3 - 6 | 6 - 10 |



R

R Range Heavyweight Hydraulic Hammers



| Hammer Specifications | | R90 | R100 | R120 | R140 |
|-----------------------|------------|---------------|---------------|---------------|---------------|
| Required Flow Rate | us g/m | 24 - 32 | 26 - 37 | 24 - 40 | 40 - 53 |
| | L/m | 90 - 120 | 100 - 140 | 90 - 150 | 150 - 200 |
| Operating Pressure | psi | 1885 | 1885 | 1885 | 1885 |
| | bar | 130 | 130 | 130 | 130 |
| Blow Rate | per minute | 600 - 1200 | 800 - 1400 | 400 - 700 | 400 - 700 |
| Sound Rating | dB | 123 | 123 | 125 | 127 |
| Tool Diameter | inches | 3.5 | 3.9 | 4.7 | 5.5 |
| | mm | 90 | 100 | 120 | 140 |
| Working Weight | lbs | 1146 | 1455 | 2667 | 3483 |
| | kg | 520 | 660 | 1210 | 1580 |
| Carrier Weight | lbs | 17640 - 28660 | 28660 - 35275 | 35275 - 46300 | 44095 - 63935 |
| | tonnes | 8 - 13 | 13 - 16 | 16 - 21 | 20 - 29 |



E Range Skid Steer Post Driver

The Arrowhead Rockdrill E range of post driving hammers are designed specifically for the post driving application with a market leading product. The E range post driver offers excellent performance for minimum cost of ownership. The Arrowhead Rockdrill E range provides a powerful, simple solution that competes at the highest level but at a price that is difficult to beat.



Features of the E Range

Vibration and sound suppressed as standard

Powerful gas fired operation using less oil at lower working pressures

Heavy duty construction for the toughest jobs

Efficiently drives posts, even in hard ground

| Hammer Specifications | | E480 | E680 | E780 |
|---------------------------|------------|-------------|--------------|---------------|
| Required Flow Rate | us g/m | 8 - 13 | 13 - 21 | 21 - 32 |
| | L/m | 30 - 50 | 50 - 80 | 80 - 120 |
| Operating Pressure | psi | 1450 | 1595 | 1740 |
| | bar | 100 | 110 | 120 |
| Blow Rate | per minute | 700 - 1250 | 700 - 1400 | 600 - 1200 |
| Sound Rating | dB | 116 | 118 | 121 |
| Tool Diameter | inches | 1.9 | 2.7 | 3.1 |
| | mm | 48 | 68 | 78 |
| Working Weight | lbs | 440 | 750 | 980 |
| | kg | 200 | 340 | 445 |
| Carrier Weight | lbs | 3300 - 6600 | 6600 - 13200 | 13200 - 22000 |
| | tonnes | 1.5 - 3 | 3 - 6 | 6 - 10 |



PD

The Arrowhead range of Post Drivers

Unique design for a multipurpose tool. Top mount for regular use as a breaker, side mount for post driving functions.

Dual mounting allows for greater control and flexibility. Swap the point or chisel out for a post driver and quickly drive posts in.

Swap to the low side mount when only driving posts to allow for ease of positioning and superior control. Making it easier to line posts up before driving them in.

Low side mount allows for superior access in areas with minimal head space.

In addition the low side mount means taller posts will be easier to handle.



| Hammer Specifications | | R40 | R45 | R55 | R65 |
|-----------------------|------------|-------------|-------------|-------------|--------------|
| Required Flow Rate | us g/m | 4 - 7 | 5 - 11 | 10 - 15 | 12 - 18 |
| | L/m | 14 - 30 | 25 - 45 | 40 - 60 | 45 - 70 |
| Operating Pressure | psi | 1800 | 1300 | 1600 | 1600 |
| | bar | 120 | 90 | 110 | 110 |
| Blow Rate | per minute | 650 - 1100 | 650 - 1100 | 700 - 1250 | 550 - 1200 |
| Sound Rating | dB | 112 | 116 | 117 | 118 |
| Tool Diameter | inches | 1.6 | 1.8 | 2.1 | 2.6 |
| | mm | 40 | 45 | 55 | 65 |
| Working Weight* | lbs | 363 | 407 | 440 | 760 |
| | kg | 165 | 185 | 200 | 345 |
| Carrier Weight | lbs | 1560 - 2250 | 2250 - 6150 | 4450 - 8890 | 8800 - 11000 |
| | tonnes | 0.7 - 1.5 | 1.5 - 2.8 | 2.8 - 4.0 | 4.0 - 5.5 |

*with 6" post driver tool



ACP

ACP Range of Vibratory Compaction plates

The Arrowhead Rockdrill ACP Range are built using our unique 'V' profile design enabling powerful compaction and sheet/post/pile driving while delivering superior vibration protection for the excavator by the use of heavy duty in-line dampening buffers.

Manufactured from the highest quality steels and utilizing only the best European manufactured bearings and hydraulic motors the ACP Range is engineered to provide long service life.

Oil Splash Technology ensures the bearings are auto-lubricated with no greasing required so the ACP Range can work longer and provide greater productivity.

The Arrowhead Rockdrill ACP Range ensures maximum return on investment and excellent performance on the jobsite with their quality, reliability and simplicity.



Primary uses of the ACP Range

Soil compaction

Sheet/post/pile driving

Backfill trench compaction



| | | ACP 200 | ACP 350 | ACP 550 | ACP 1600 | ACP 2400 |
|--------------------------------|--------|-------------|--------------|--------------|---------------|---------------|
| Impulse Force | lbf | 2000 | 3500 | 5500 | 7500 | 11000 |
| | kgf | 909 | 1591 | 2500 | 3400 | 5000 |
| Frequency (at max flow) | rpm | 2100 | 2100 | 2100 | 2000 | 2000 |
| Operating Weight | lbs | 250 | 520 | 880 | 1720 | 2204 |
| | kg | 114 | 236 | 400 | 780 | 1000 |
| Base Plate Size | inches | 8 x 20 | 11.5 x 26 | 17.5 x 30 | 28 x 32 | 47 x 34 |
| | mm | 200 x 510 | 290 x 660 | 445 x 760 | 710 x 810 | 1220 x 865 |
| Oil Requirements | us gpm | 7 - 10 | 10 - 12 | 15 - 18 | 90 - 100 | 130 - 150 |
| | lpm | 27 - 38 | 38 - 46 | 57 - 68 | | |
| Working Pressure | psi | 1500 | 1500 | 1500 | 1500 | 1600 |
| | bar | 103 | 103 | 103 | 103 | 110 |
| Carrier Weight | lbs | 2250 - 6750 | 5600 - 11000 | 9000 - 19000 | 18000 - 35000 | 35000 - 61000 |
| | tonnes | 1 - 3 | 2.5 - 5 | 5 - 9 | 8 - 16 | 16 - 28 |



ACW

ACW Range of Rotary Compactor Wheels



The Arrowhead Rockdrill Compaction Wheel uses the weight and downward force of the carrier to provide compaction of soils and backfill on any job site situation. By utilizing sealed bearing housings the ACW Range is a low maintenance tool made from high quality steels to ensure a long working life even in the toughest conditions.

The ACW Range is made in a range of sizes and styles to suit most machine configurations and can be used to compact a wide range of materials and soil types.

Features of the ACW Range

Simple design

Low maintenance and long service life

Can be configured to suit almost all applications

Sealed bearing technology that eliminates greasing

| Compact Excavator Range | | ACW CEPF8 | ACW CEPF12 | ACW CEPF18 | ACW CEPF24 |
|-------------------------|--------|---------------|---------------|---------------|---------------|
| Nominal Trench Width | inches | 8 | 12 | 18 | 24 |
| | mm | 200 | 305 | 457 | 610 |
| Number of Rims | | 1 | 2 | 3 | 3 |
| Type of Wheels | | Pad Foot | Pad Foot | Pad Foot | Pad Foot |
| Backhoe Loader Range | | ACW BLPF12 | ACW BLPF18 | ACW BLPF24 | ACW BLPF36 |
| Nominal Trench Width | inches | 12 | 18 | 24 | 36 |
| | mm | 305 | 457 | 610 | 910 |
| Number of Rims | | 1 | 2 | 3 | 4 |
| Type of Wheel | | Pad Foot | Pad Foot | Pad Foot | Pad Foot |

Compaction Wheels are also manufactured for Skid Steer Loaders and Larger Machines



Authorised Distributors - contact your local distributor for dealers in your area



2. Engineered Equipment LLC
PO Box 452
Galesville
WI 54630
Tel: 608 787 8858

1. Implement Sales LLC
1574 Stone Ridge
Stone Mountain
GA 30083
Tel: 1800 955 9592

3. Price Bros Equipment
619 S. Washington
Wichita KS 67201
Tel: 316 265 9577

4. Crossbow Inc
1550 State Street
Barstow
CA 92311
Tel: 760 255 8990



Hema Works, Station Lane,
Old Whittington, Chesterfield
S41 9QX
United Kingdom
Tel: +44 1246 260 012
Fax: +44 1246 260 013
Email: support@arrowheadrockdrill.co.uk

ARROWHEAD
ROCKDRILL

Web: www.arrowheadrockdrill.co.uk

Arrowhead Rockdrill and the Arrowhead logo are registered trademarks of Arrowhead Rockdrill Limited.
Arrowhead Rockdrill Reserve the right to alter specification without prior notice.