

Gyru-Star

A close-up photograph of a yellow Gyru-Star rotor, a component used in a 4-rotor cipher machine. The rotor is bright yellow and has a central black ring with a square-shaped hole. It is surrounded by several grey typewriter keys, which are slightly out of focus, creating a sense of depth. The lighting is dramatic, highlighting the texture of the plastic parts.

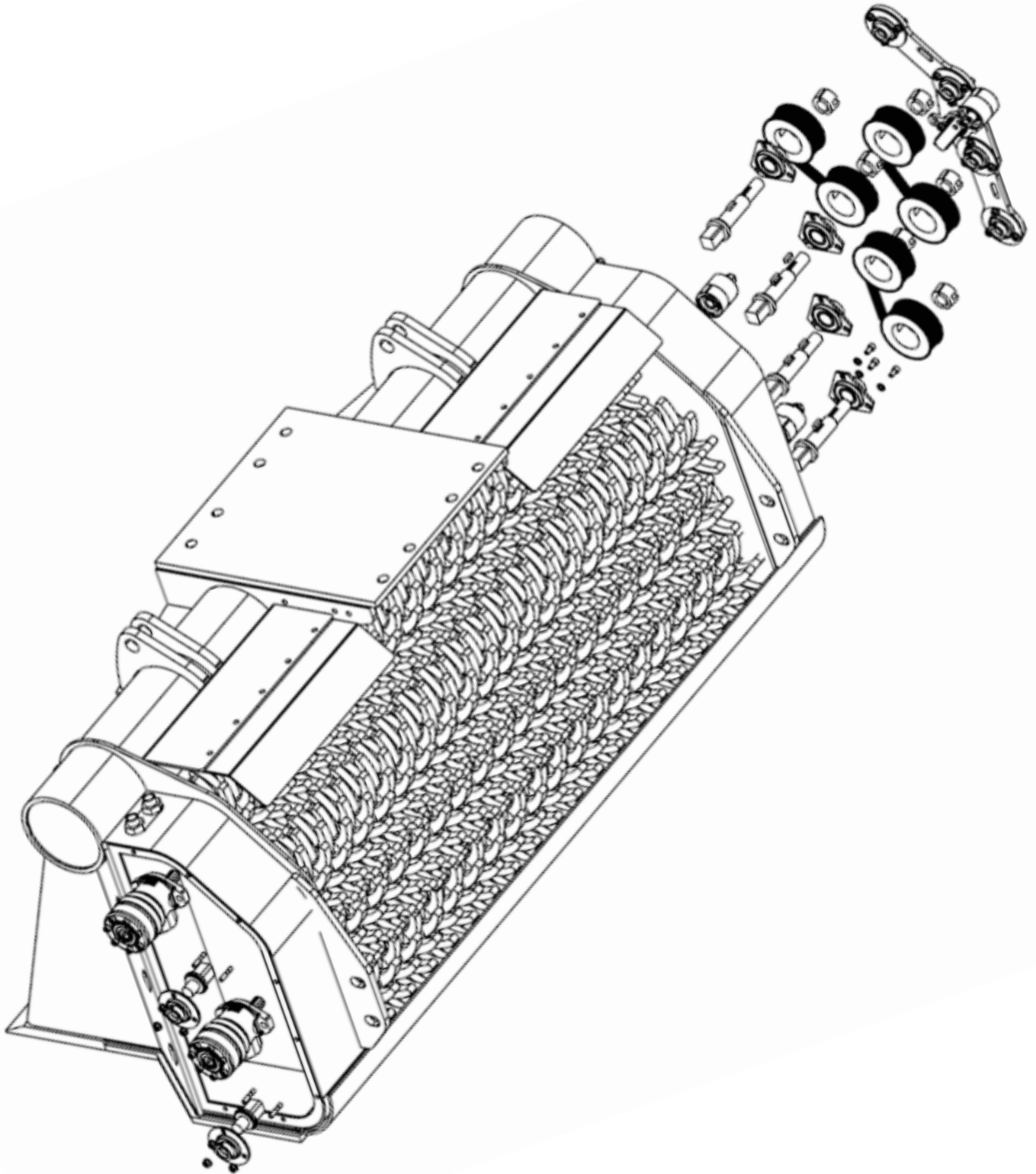
**Parts Catalogue
4 Rotor System
For Dealer Use Only**

Contents

1. Overview	4
2. Rotor Group 20mm.....	5
3. Rotor Group 15mm.....	10
4. Rotor Group 10mm.....	15
5. Rotor Assembly.....	20
6. Driveline.....	24
7. Belt Adjuster.....	26
8. Bearing Support Plate.....	28
9. Stub Shaft.....	30
10. Shaft Assembly.....	31

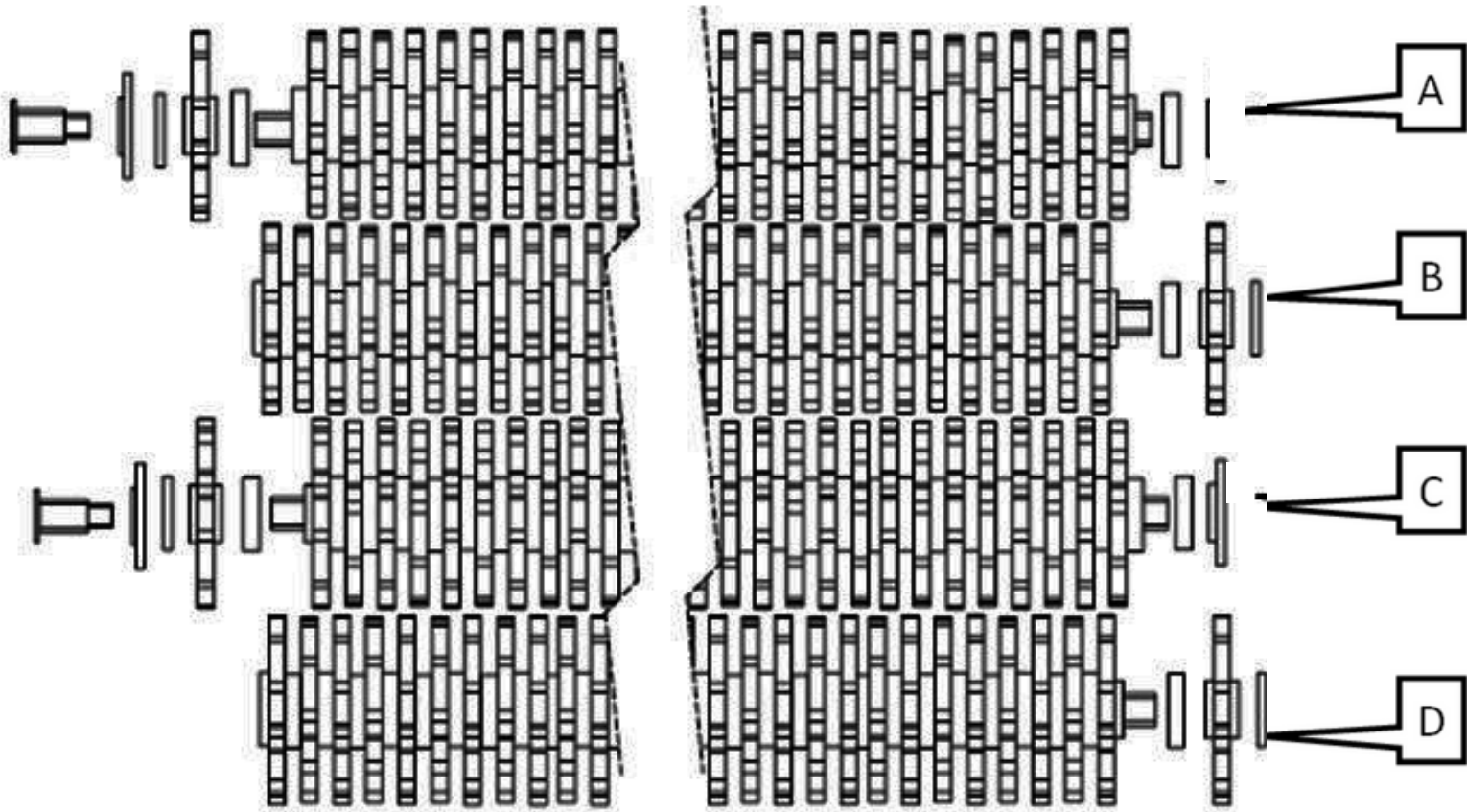
11. Motor Assembly.....	32
12. Hose Group - Supply Circuit.....	33
13. Hose Group - Return Circuit.....	36
14. Door Group.....	39
15. Cross-Over Hoses.....	40
16. Cross-Over Kits.....	43
17. Accessories.....	50
18. Stripper Plate.....	51
19. Comb.....	52
20. Safety Decals.....	53
21. Additional Decals.....	55

Overview

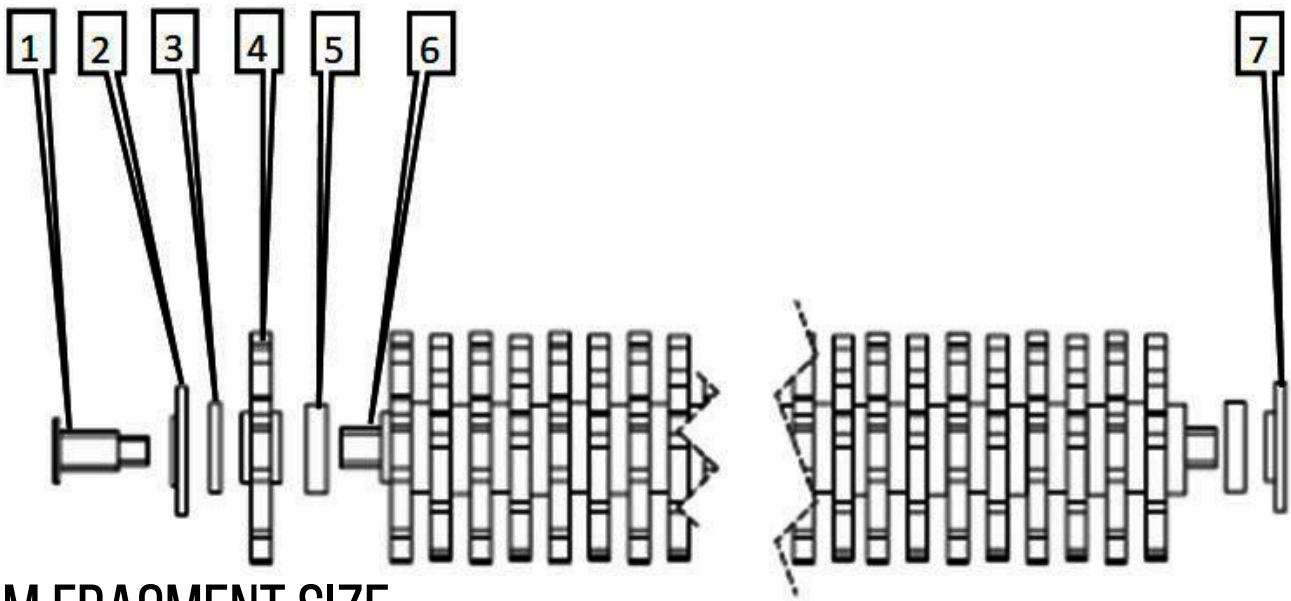


Rotor Group 20mm

20MM FRAGMENT SIZE



Rotor Shaft A & C - Motor

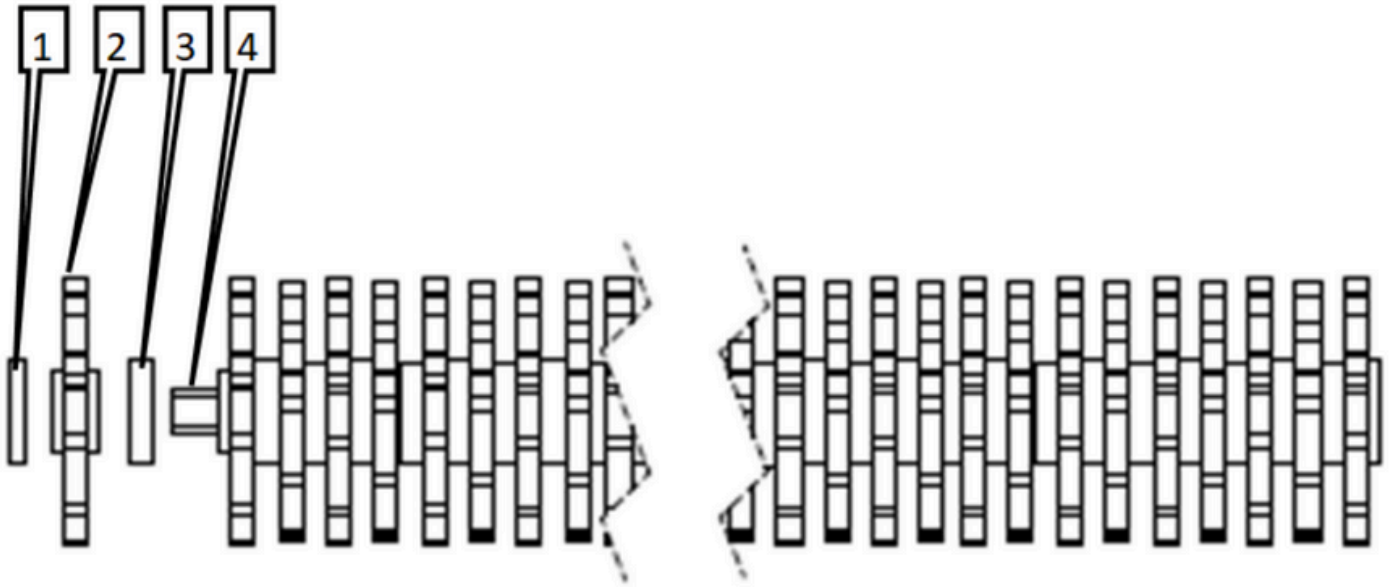


20MM FRAGMENT SIZE

Rotor A								
No.	Part No.	Description	4-100		4-120		4-150	
			HE	MAX	HE	MAX	HDX	MAX
1	02-33888	SAE Splined Drive Coupling (HD)	1	1	1	1	1	1
2	03-78905	15mm End Cap	1	1	1	1	1	1
3	03-99135	Nylon Locking Ring 90mm OD	1	1	1	1	1	1
4	03-56281	Poly Star (230mm Ten Finger) Yellow	24	24	29	29	37	37
5	03-86116	20mm Locking Ring	25	25	30	30	38	38
6	03-46491	Rotor Shaft 4-100 (Motor Pick Up)	1	1	--	--	--	--
6	03-82264	Rotor Shaft 4-120 (Motor Pick Up)	--	--	1	1	--	--
6	03-30536	Rotor Shaft 4-150 (Motor Pick Up)	--	--	--	--	1	1

Rotor C								
No.	Part No.	Description	4-100		4-120		4-150	
			HE	MAX	HE	MAX	HDX	MAX
1	02-33888	SAE Splined Drive Coupling (HD)	1	1	1	1	1	1
2	03-78905	15mm End Cap	1	1	1	1	1	1
3	03-99135	Nylon Locking Ring 90mm OD	1	1	1	1	1	1
4	03-56281	Poly Star (230mm Ten Finger) Yellow	24	24	29	29	37	37
5	03-86116	20mm Locking Ring	25	25	30	30	38	38
6	03-46491	Rotor Shaft 4-100 (Motor Pick Up)	1	1	--	--	--	--
6	03-82264	Rotor Shaft 4-120 (Motor Pick Up)	--	--	1	1	--	--
6	03-30536	Rotor Shaft 4-150 (Motor Pick Up)	--	--	--	--	1	1

Rotor Shaft B & D



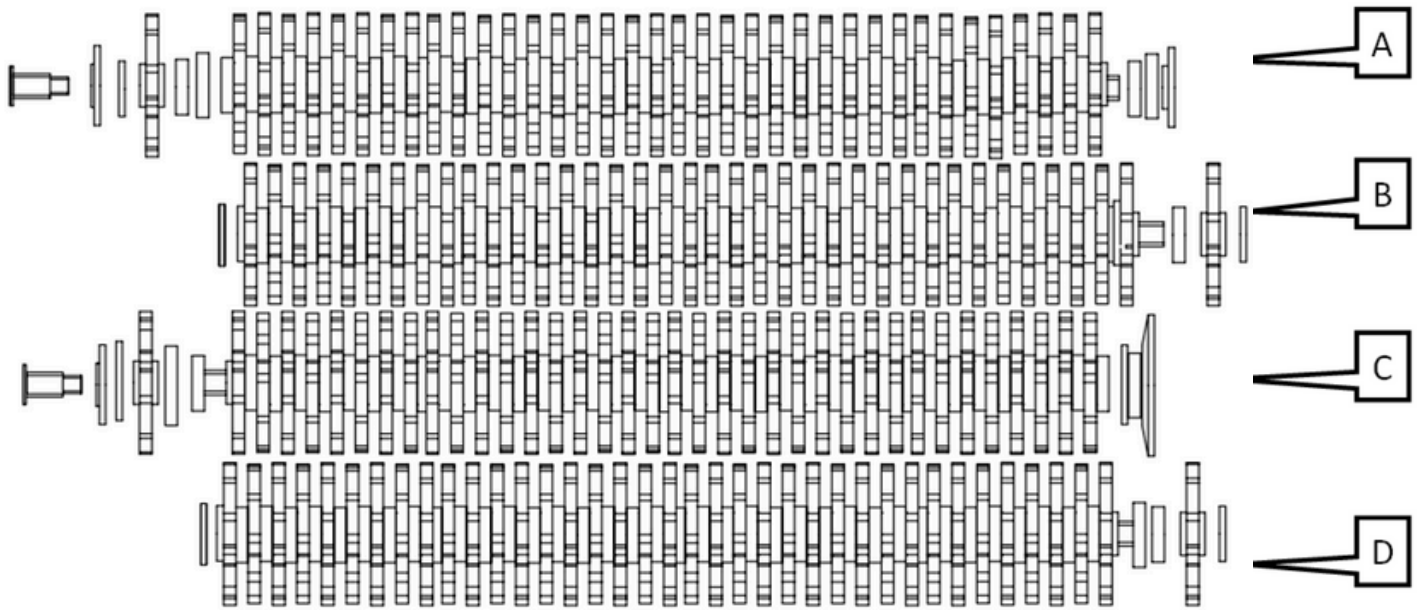
20MM FRAGMENT SIZE

Rotor B								
No.	Part No.	Description	4-100		4-120		4-150	
			HE	MAX	HE	MAX	HDX	MAX
1	03-99135	Nylon Locking Ring 90mm OD	2	2	2	2	2	2
2	03-56281	Poly Star (230mm Ten Finger) Yellow	25	25	30	30	38	38
3	03-86116	20mm Locking Ring	24	24	29	29	37	37
4	03-39360	Rotor Shaft 4-100	1	1	--	--	--	--
4	03-97866	Rotor Shaft 4-120	--	--	1	1	--	--
4	03-66775	Rotor Shaft 4-150	--	--	--	--	1	1

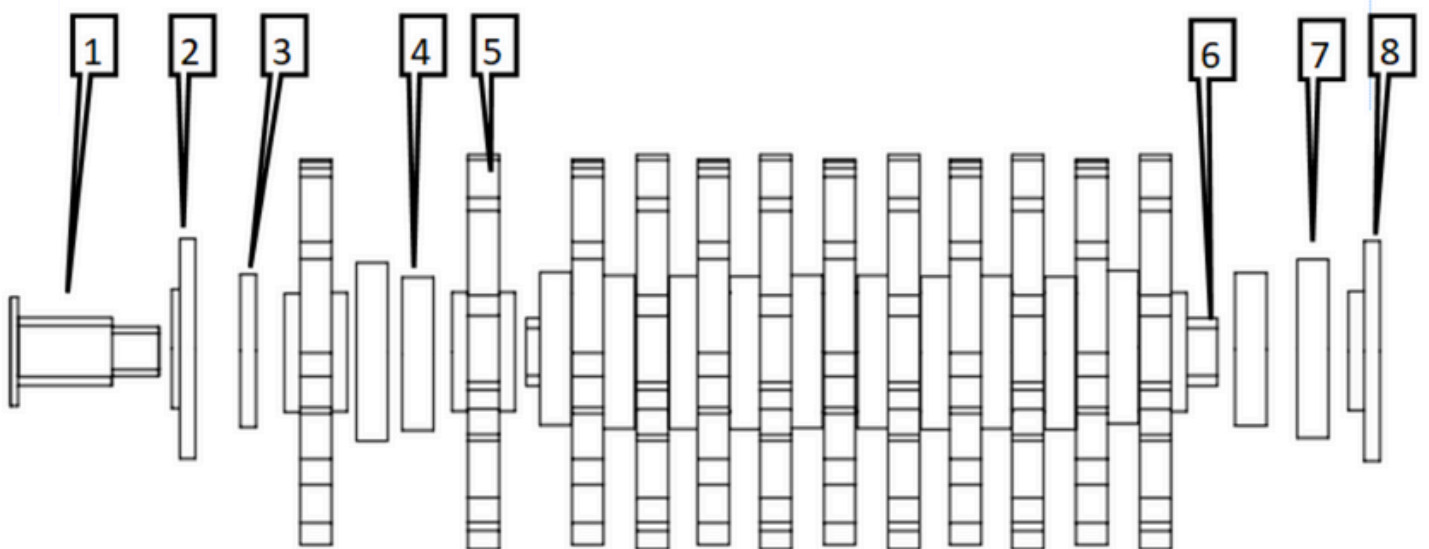
Rotor D								
No.	Part No.	Description	4-100		4-120		4-150	
			HE	MAX	HE	MAX	HDX	MAX
1	03-99135	Nylon Locking Ring 90mm OD	2	2	2	2	2	2
2	03-56281	Poly Star (230mm Ten Finger) Yellow	25	25	30	30	38	38
3	03-86116	20mm Locking Ring	24	24	29	29	37	37
4	03-39360	Rotor Shaft 4-100	1	1	--	--	--	--
4	03-97866	Rotor Shaft 4-120	--	--	1	1	--	--
4	03-66775	Rotor Shaft 4-150	--	--	--	--	1	1

Rotor Group 15mm

15MM FRAGMENT SIZE



ROTOR SHAFT A & C - MOTOR



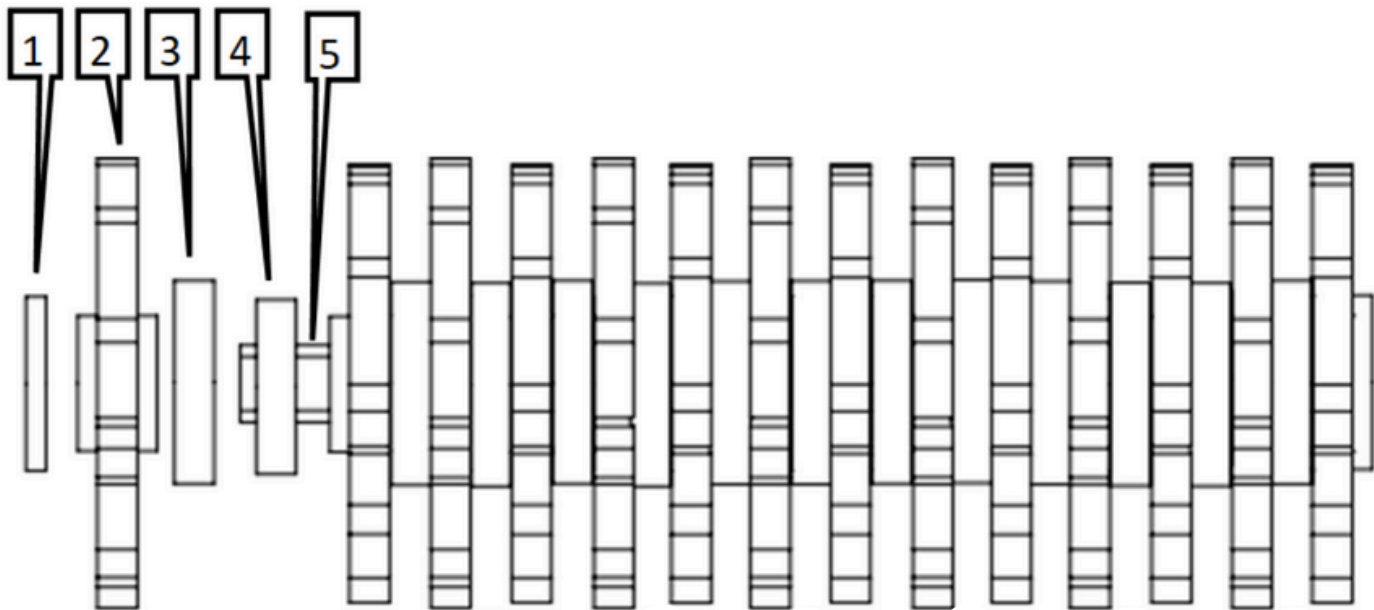
Rotor Shaft A & C - Motor

Rotor A								
No.	Part No.	Description	4-100		4-120		4-150	
			HE	MAX	HE	MAX	HDX	MAX
1	02-33888	SAE Splined Drive Coupling (HD)	1	1	1	1	1	1
2	03-78905	15mm End Cap	1	1	1	1	1	1
3	03-11805	Nylon Locking Ring 100mm OD	1	1	1	1	1	1
4	03-56281	Poly Star (230mm Ten Finger) Yellow	24	24	29	29	37	37
5	03-86116	20mm Locking Ring	25	25	30	30	38	38
6	03-46491	Rotor Shaft 4-100 (Motor Pick Up)	1	1	--	--	--	--
6	03-82264	Rotor Shaft 4-120 (Motor Pick Up)	--	--	1	1	--	--
6	03-30536	Rotor Shaft 4-150 (Motor Pick Up)	--	--	--	--	1	1
7	03-53589	Spacer Ring Grey (15mm Fragment Size)	24	24	29	29	37	37
8	03-92358	20mm End Cap	1	1	1	1	1	1

Rotor C

No.	Part No.	Description	4-100		4-120		4-150	
			HE	MAX	HE	MAX	HDX	MAX
1	02-33888	SAE Splined Drive Coupling (HD)	1	1	1	1	1	1
2	03-78905	15mm End Cap	1	1	1	1	1	1
3	03-11805	Nylon Locking Ring 100mm OD	1	1	1	1	1	1
4	03-56281	Poly Star (230mm Ten Finger) Yellow	24	24	29	29	37	37
5	03-86116	20mm Locking Ring	25	25	30	30	38	38
6	03-46491	Rotor Shaft 4-100 (Motor Pick Up)	1	1	--	--	--	--
6	03-82264	Rotor Shaft 4-120 (Motor Pick Up)	--	--	1	1	--	--
6	03-30536	Rotor Shaft 4-150 (Motor Pick Up)	--	--	--	--	1	1
7	03-53589	Spacer Ring Grey (15mm Fragment Size)	24	24	29	29	37	37
8	03-92358	20mm End Cap	1	1	1	1	1	1

Rotor Shaft B & D



15MM FRAGMENT SIZE

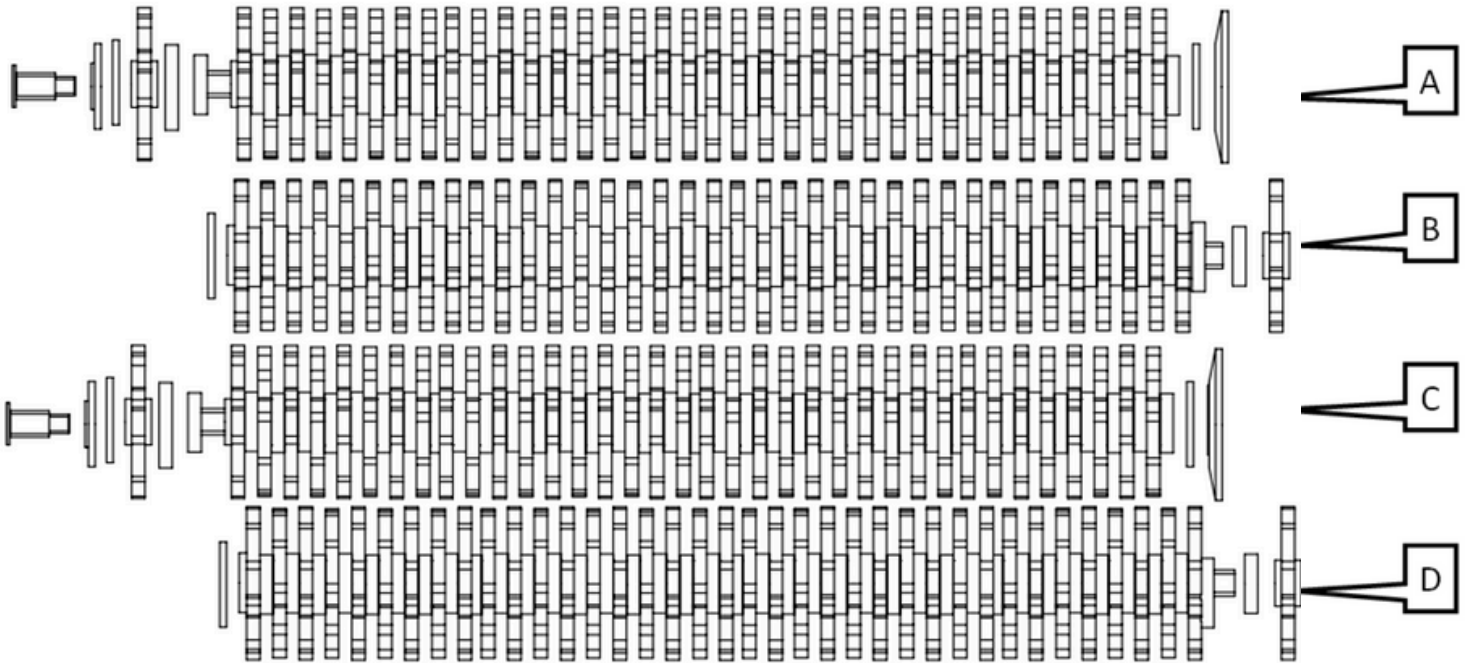
Rotor B								
No.	Part No.	Description	4-100		4-120		4-150	
			HE	MAX	HE	MAX	HDX	MAX
1	03-11805	Nylon Locking Ring 100mm OD	2	2	2	2	2	2
2	03-56281	Poly Star (230mm Ten Finger) Yellow	25	25	30	30	38	38
3	03-53589	Spacer Ring Grey (15mm fragment Size)	25	25	30	30	38	38
4	03-86116	20mm Locking Ring	24	24	29	29	37	37
5	03-39360	Rotor Shaft 4-100	1	1	--	--	--	--
5	03-97866	Rotor Shaft 4-120	--	--	1	1	--	--
5	03-66775	Rotor Shaft 4-150	--	--	--	--	1	1

Rotor D

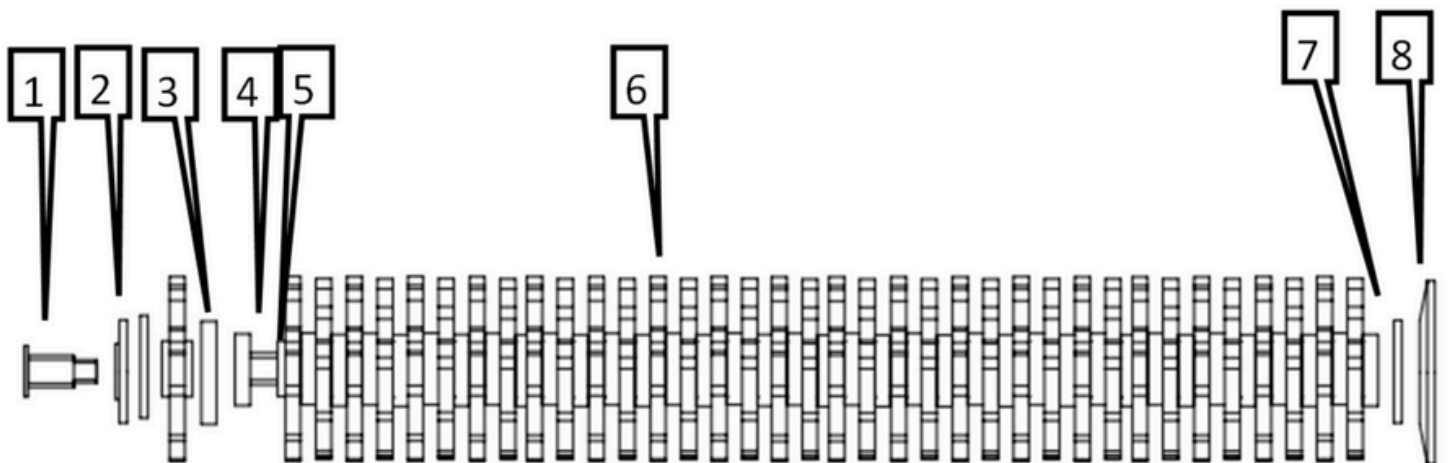
No.	Part No.	Description	4-100		4-120		4-150	
			HE	MAX	HE	MAX	HDX	MAX
1	03-11805	Nylon Locking Ring 100mm OD	2	2	2	2	2	2
2	03-56281	Poly Star (230mm Ten Finger) Yellow	25	25	30	30	38	38
3	03-53589	Spacer Ring Grey (15mm fragment Size)	25	25	30	30	38	38
4	03-86116	20mm Locking Ring	24	24	29	29	37	37
5	03-39360	Rotor Shaft 4-100	1	1	--	--	--	--
5	03-97866	Rotor Shaft 4-120	--	--	1	1	--	--
5	03-66775	Rotor Shaft 4-150	--	--	--	--	1	1

Rotor Group 10mm

10MM FRAGMENT SIZE



ROTOR SHAFT A & C - MOTOR



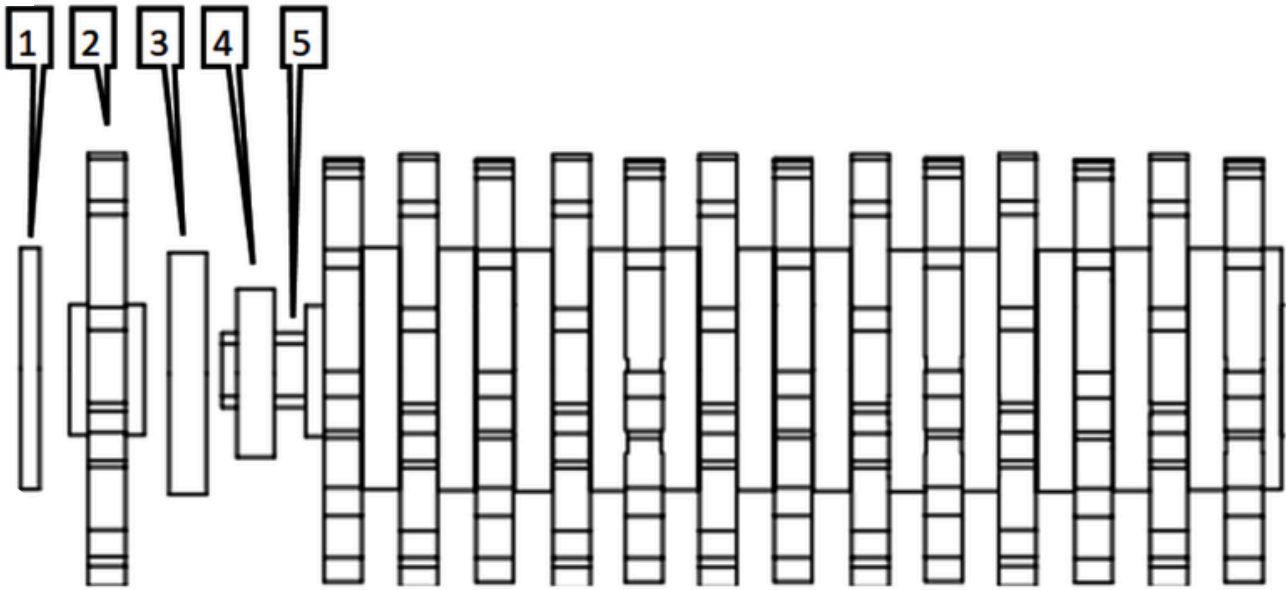
Rotor Shaft A & C - Motor

Rotor A								
No.	Part No	Description	4-100		4-120		4-150	
			HE	MAX	HE	MAX	HDX	MAX
1	02-33888	SAE Splined Drive Coupling (HD)	1	1	1	1	1	1
2	03-78905	15mm End Cap	1	1	1	1	1	1
3	03-56416	Spacer Ring Yellow (10mm Fragment Size)	24	24	29	29	37	37
4	03-86116	20mm Locking Ring	24	24	29	29	37	37
5	03-46491	Rotor Shaft 4-100 (Motor Pick Up)	1	1	--	--	--	--
5	03-82264	Rotor Shaft 4-120 (Motor Pick Up)	--	--	1	1	--	--
5	03-30536	Rotor Shaft 4-150 (Motor Pick Up)	--	--	--	--	1	1
6	03-56281	Poly Star (230mm Ten Finger) Yellow	24	24	29	29	37	37
7	03-43590	Nylon Locking Ring 129.5mm OD	1	1	1	1	1	1
8	03-11412	Yellow End Disc 230mm x 20mm	1	1	1	1	1	1

Rotor C

No.	Part No.	Description	4-100		4-120		4-150	
			HE	MAX	HE	MAX	HDX	MAX
1	02-33888	SAE Splined Drive Coupling (HD)	1	1	1	1	1	1
2	03-78905	15mm End Cap	1	1	1	1	1	1
3	03-56416	Spacer Ring Yellow (10mm Fragment Size)	24	24	29	29	37	37
4	03-86116	20mm Locking Ring	24	24	29	29	37	37
5	03-46491	Rotor Shaft 4-100 (Motor Pick Up)	1	1	--	--	--	--
5	03-82264	Rotor Shaft 4-120 (Motor Pick Up)	--	--	1	1	--	--
5	03-30536	Rotor Shaft 4-150 (Motor Pick Up)	--	--	--	--	1	1
6	03-56281	Poly Star (230mm Ten Finger) Yellow	24	24	29	29	37	37
7	03-43590	Nylon Locking Ring 129.5mm OD	1	1	1	1	1	1
8	03-11412	Yellow End Disc 230mm x 20mm	1	1	1	1	1	1

Rotor Shaft B & D



10MM FRAGMENT SIZE

Rotor B									
No.	Part No.	Description	4-100		4-120		4-150		
			HE	MAX	HE	MAX	HDX	MAX	
1	03-43590	Nylon Locking Ring 129.5mm OD	2	2	2	2	2	2	
2	03-56281	Poly Star (230mm Ten Finger) Yellow	25	25	30	30	38	38	
3	03-56416	Spacer Ring Yellow (10mm Fragment Size)	25	25	30	30	38	38	
4	03-86116	20mm Locking Ring	24	24	29	29	37	37	
5	03-39360	Rotor Shaft 4-100	1	1	--	--	--	--	
5	03-97866	Rotor Shaft 4-120	--	--	1	1	--	--	
5	03-66775	Rotor Shaft 4-150	--	--	--	--	1	1	

Rotor D

No.	Part No.	Description	4-100		4-120		4-150	
			HE	MAX	HE	MAX	HDX	MAX
1	03-43590	Nylon Locking Ring 129.5mm OD	2	2	2	2	2	2
2	03-56281	Poly Star (230mm Ten Finger) Yellow	25	25	30	30	38	38
3	03-56416	Spacer Ring Yellow (10mm Fragment Size)	25	25	30	30	38	38
4	03-86116	20mm Locking Ring	24	24	29	29	37	37
5	03-39360	Rotor Shaft 4-100	1	1	--	--	--	--
5	03-97866	Rotor Shaft 4-120	--	--	1	1	--	--
5	03-66775	Rotor Shaft 4-150	--	--	--	--	1	1

Rotor Assembly

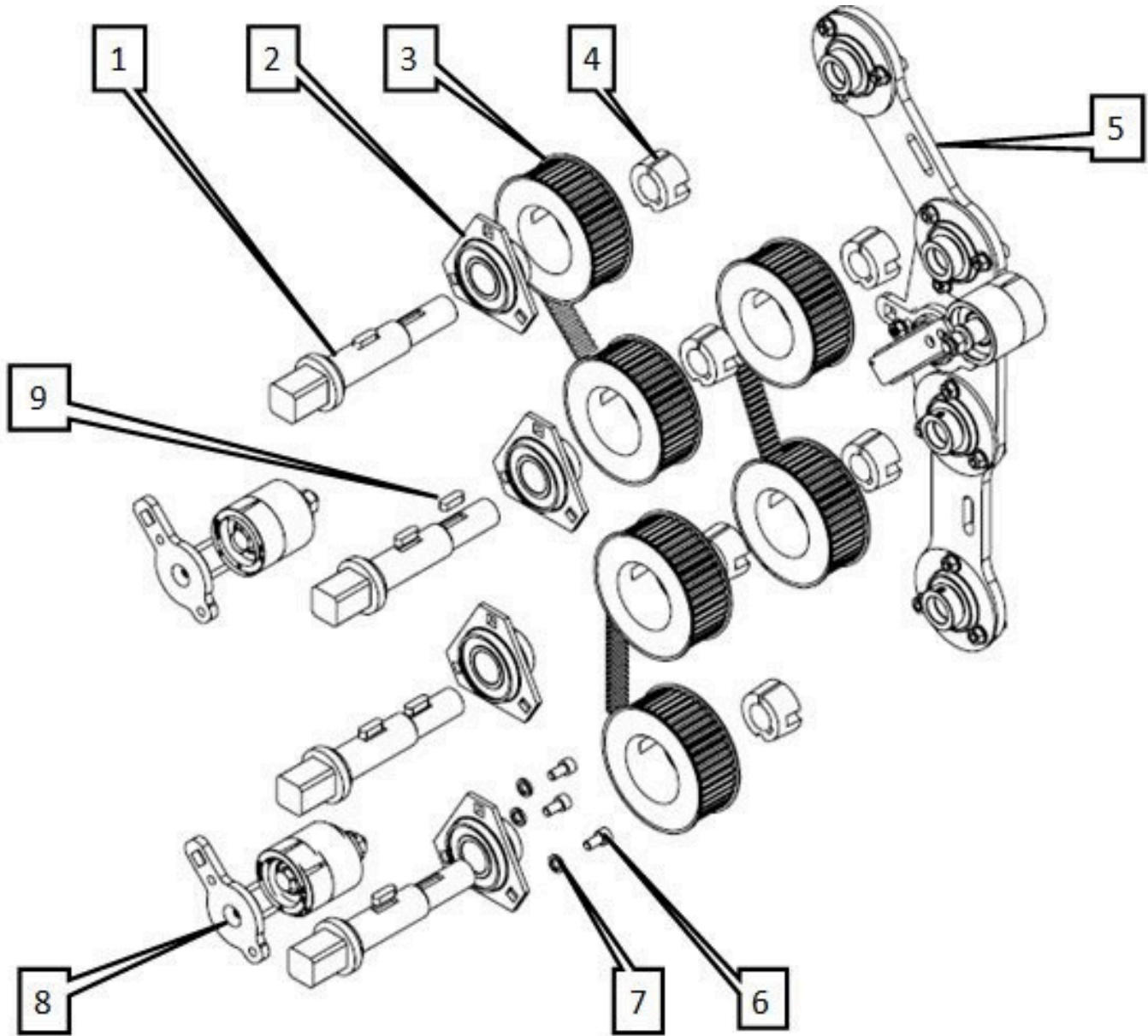
Part No	Description	Qty	Notes
03-37577	Complete Rotor Assembly 4-100 20mm	1	Consists of: 03-81985 Qty 2 03-28703 Qty 2
03-81985	4-100 Driven Top Shaft 20mm	2	
03-28703	4-100 Non-Driven Lower Shaft	2	
03-14087	Complete Rotor Assembly 4-100 15mm	1	Consists of: 03-59771 Qty 2 03-52368 Qty 2
03-59771	4-100 Driven Top Shaft 15mm	2	
03-52368	4-100 Non-Driven Lower Shaft 15mm	2	
03-60889	Complete Rotor Assembly 4-100 10mm	1	Consists of: 03-69755 Qty 2 03-64981 Qty 2
03-69755	4-100 Driven Top Shaft 10mm	2	
03-64981	4-100 Non-Driven Lower Shaft 10mm	2	

Part No	Description	Qty	Notes
03-86561	Complete Rotor Assembly 4-120 20mm	1	Consists of: 03-76852 Qty 2 03-87098 Qty 2
03-76852	4-120 Driven Top Shaft 20mm	2	
03-87098	4-120 Non-Driven Lower Shaft	2	
03-68170	Complete Rotor Assembly 4-120 15mm	1	Consists of: 03-56032 Qty 2 03-49444 Qty 2
03-56032	4-120 Driven Top Shaft 15mm	2	
03-52368	4-120 Non-Driven Lower Shaft 15mm	2	
03-94693	Complete Rotor Assembly 4-120 10mm	1	Consists of: 03-35132 Qty 2 03-26341 Qty 2
03-35132	4-120 Driven Top Shaft 10mm	2	
03-26341	4-120 Non-Driven Lower Shaft 10mm	2	

Part No	Description	Qty	Notes
03-51408	Complete Rotor Assembly 4-150 20mm	1	Consists of: 03-81724 Qty 2 03-84756 Qty 2
03-81724	4-150 Driven Top Shaft 20mm	2	
03-84756	4-150 Non-Driven Lower Shaft	2	
03-78953	Complete Rotor Assembly 4-150 15mm	1	Consists of: 03-45718 Qty 2 03-70533 Qty 2
03-45718	4-150 Driven Top Shaft 15mm	2	
03-70533	4-150 Non-Driven Lower Shaft 15mm	2	
03-17846	Complete Rotor Assembly 4-150 10mm	1	Consists of: 03-97029 Qty 2 03-44632 Qty 2
03-97029	4-150 Driven Top Shaft 10mm	2	
03-44632	4-150 Non-Driven Lower Shaft 10mm	2	

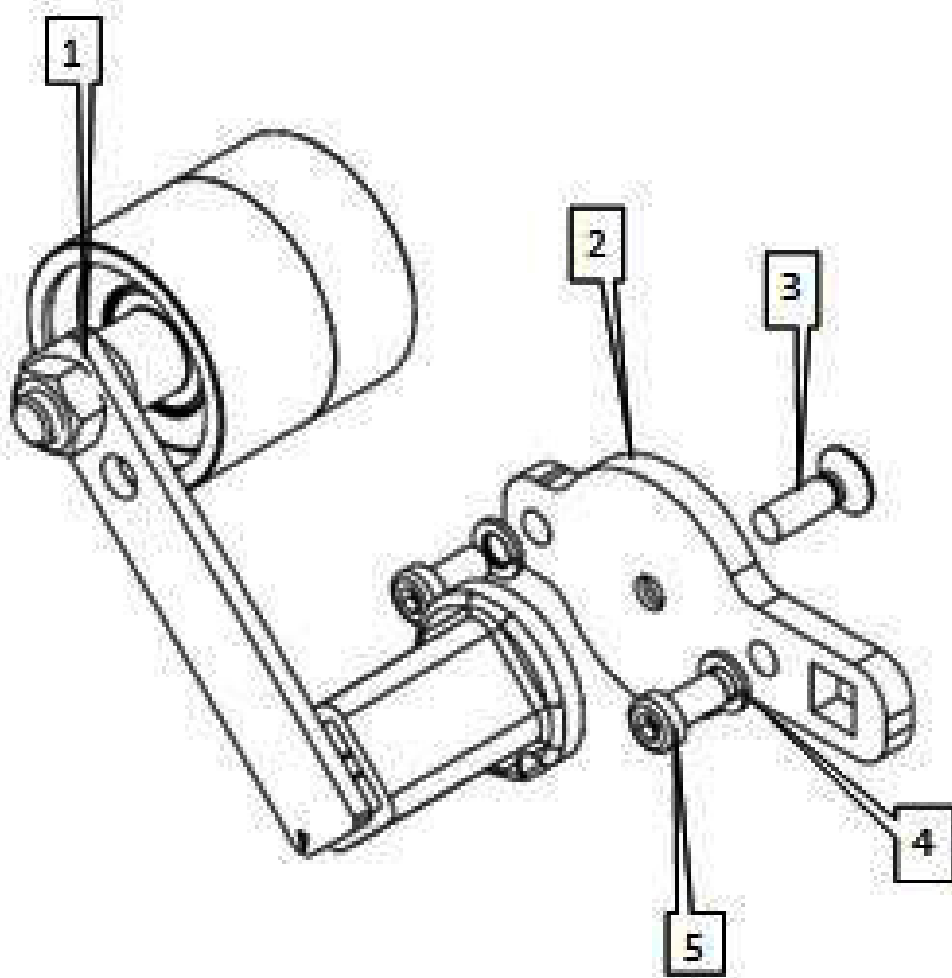
This page has been left
intentionally blank.

Driveline



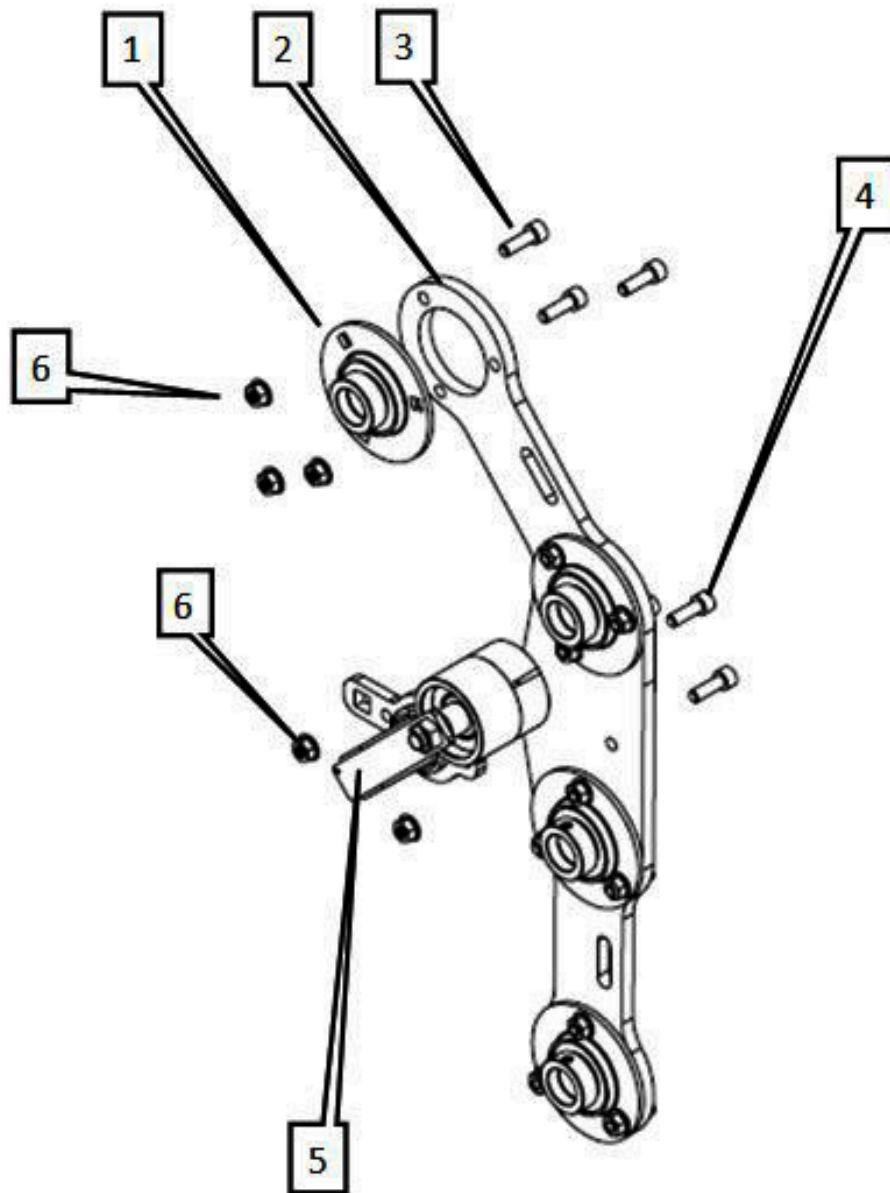
No.	Part No.	Description	4-100		4-120		4-150	
			HE	MAX	HE	MAX	HDX	MAX
1	02-44051	Keyed Shaft (4 Rotor)	4	4	4	4	4	4
2	02-23430	Bearing SLFT30C99 with Housing	4	4	4	4	4	4
3	02-45078	Carbon Belt Pulley (8MDC3645)	6	6	6	6	6	6
4	02-91615	Taper Bush 2012-30	6	6	6	6	6	6
5	02-28566	Carbon Belt	3	3	3	3	3	3
6	--	Please see Bearing Support Plate Diagram - page 28	--	--	--	--	--	--
7	06-47900	M10 x 16mm Socket Cap Screw	12	12	12	12	12	12
8	06-23107	M10 Spring Washer	12	12	12	12	12	12
9	--	Please see Belt Adjuster Diagram - page 26	--	--	--	--	--	--
10	02-62292	Key	6	6	6	6	6	6

Belt Adjuster



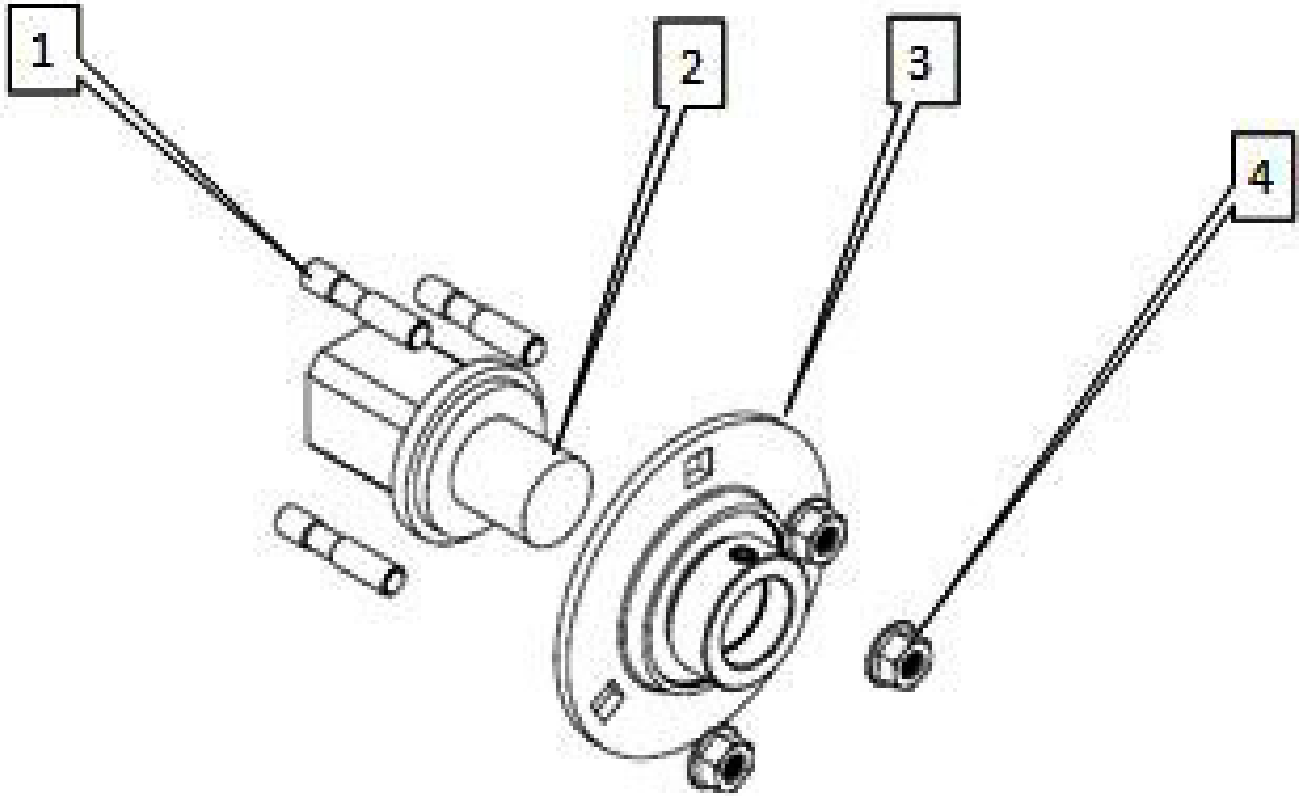
No.	Part No.	Description	4-100		4-120		4-150	
			HE	MAX	HE	MAX	HDX	MAX
1	02-76369	Rosta Belt Adjuster	3	3	3	3	3	3
2	02-72480	Belt Adjuster Plate	3	3	3	3	3	3
3	06-45595	M8 x 25mm Stainless Steel Countersunk Screw	3	3	3	3	3	3
4	06-66588	M8 Spring Washer	6	6	6	6	6	6
5	06-20616	M8 x 16mm Socket cap Screw	6	6	6	6	6	6

Bearing Support Plate



No.	Part No.	Description	4-100		4-120		4-150	
			HE	MAX	HE	MAX	HDX	MAX
1	02-26057	Bearing SLFE25C99	4	4	4	4	4	4
2	02-94994	Bearing Support Plate	1	1	1	1	1	1
3	06-24550	M8 x 20 Socket Cap Screw	12	12	12	12	12	12
4	06-28181	M8 x 30mm Socket Cap Screw	2	2	2	2	2	2
5	--	Please see Belt Adjuster Diagram - page 26	--	--	--	--	--	--
6	06-95773	M8 Flange Nut	14	14	14	14	14	14

Stub Shaft

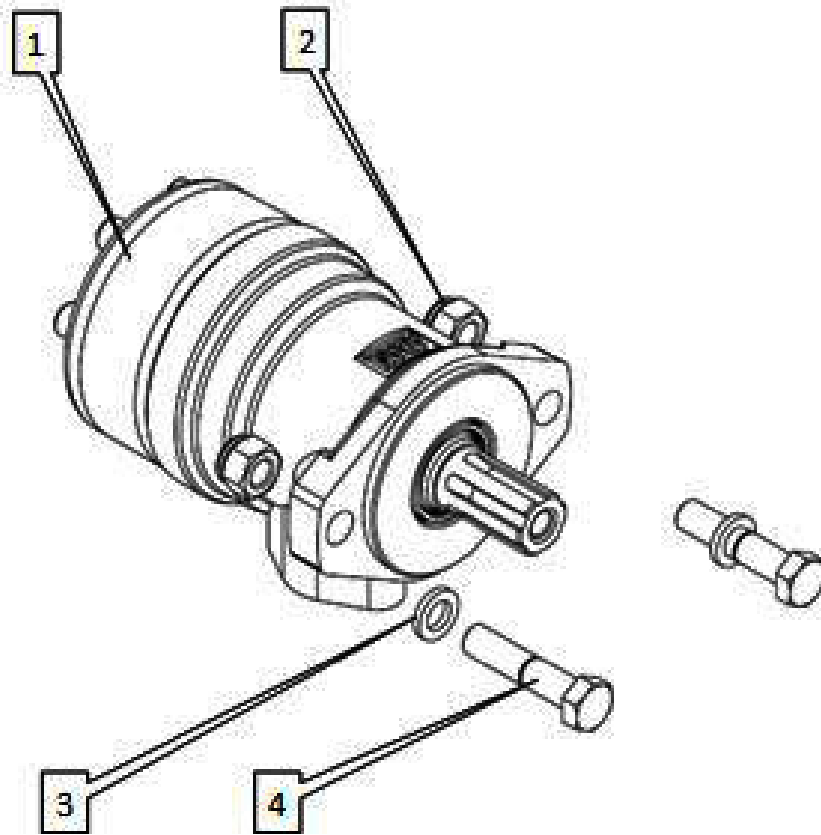


No.	Part No.	Description	4-100		4-120		4-150	
			HE	MAX	HE	MAX	HDX	MAX
1	06-44972	M8 x 25mm Stud	6	6	6	6	6	6
2	02-77903	Short Stub Shaft	2	2	2	2	2	2
3	02-26057	Bearing SLFE25C99 with Housing	2	2	2	2	2	2
4	06-95773	M8 Flange Nut	6	6	6	6	6	6

Shaft Assembly

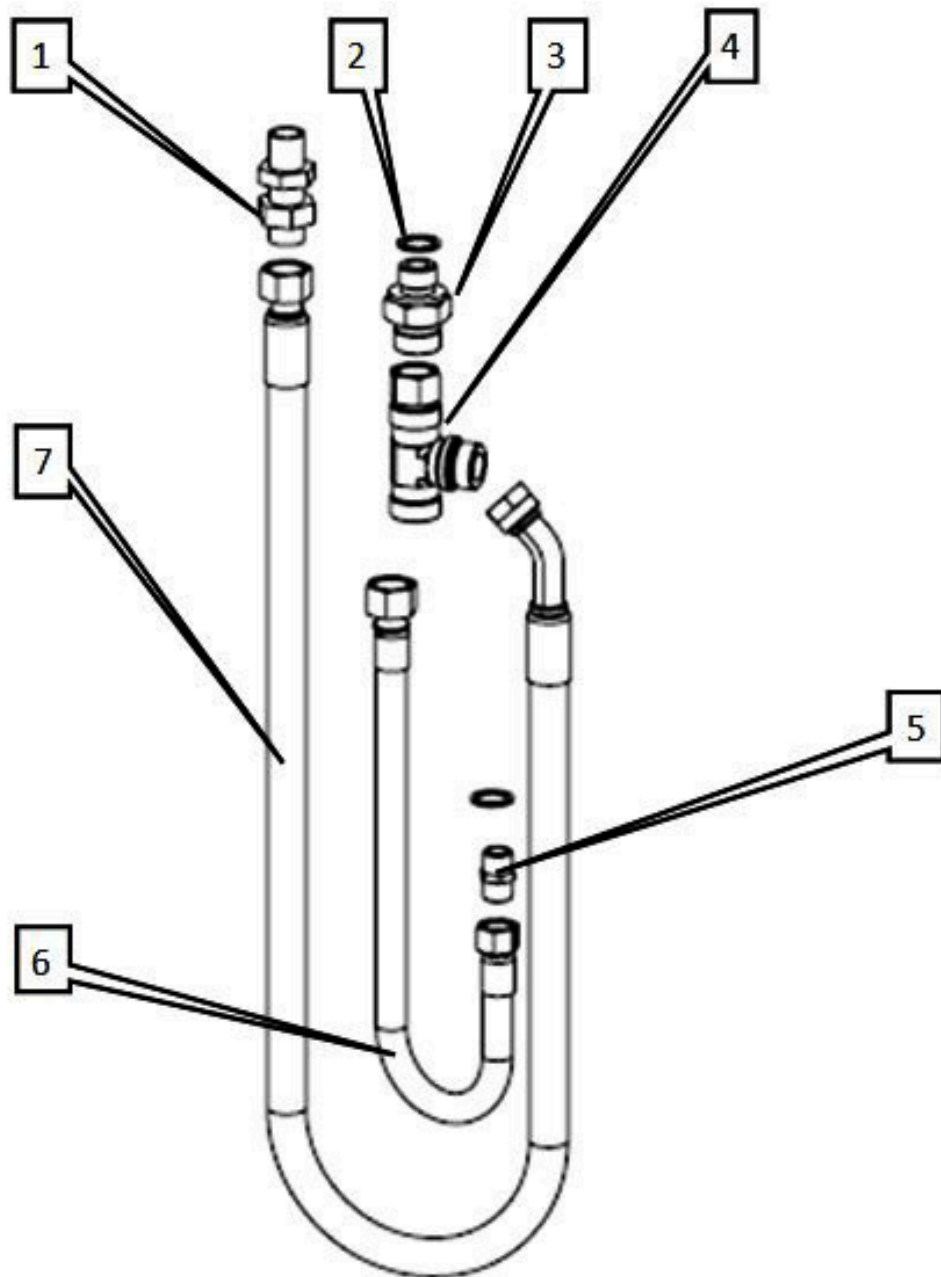
Part No	Description	Qty	Notes
02-85346	Keyed Shaft Assembly 4 Rotor	1	Consists of: 02-44051 Qty 1 02-23430 Qty 1
02-44051	Keyed Shaft (4 Rotor)	1	
02-23430	Bearing SLFT30C99 with Housing	1	
02-67603	Short Stub Shaft Assembly Heavy Duty	1	Consists of: 02-77903 Qty 1 03-26057 Qty 1
02-77903	Short Stub Shaft	1	
02-26057	Bearing SLFEW25C99	1	

Motor Assembly



No.	Part No	Description	4-100		4-120		4-150	
			HE	MAX	HE	MAX	HDX	MAX
1	04-56662	MR Motor 125CC 6B Shaft HP Shaft Seal	2	2	2	2	2	2
2	06-21695	M12 Nyloc Nut	4	4	4	4	4	4
3	06-85970	M12 Form A Flat Washer	4	4	4	4	4	4
4	06-97778	M12 x 50mm Hexagon Bolts	4	4	4	4	4	4

Hose Group - Supply Circuit



Hose Group - Supply Circuit

SUPPLY CIRCUIT - BSP

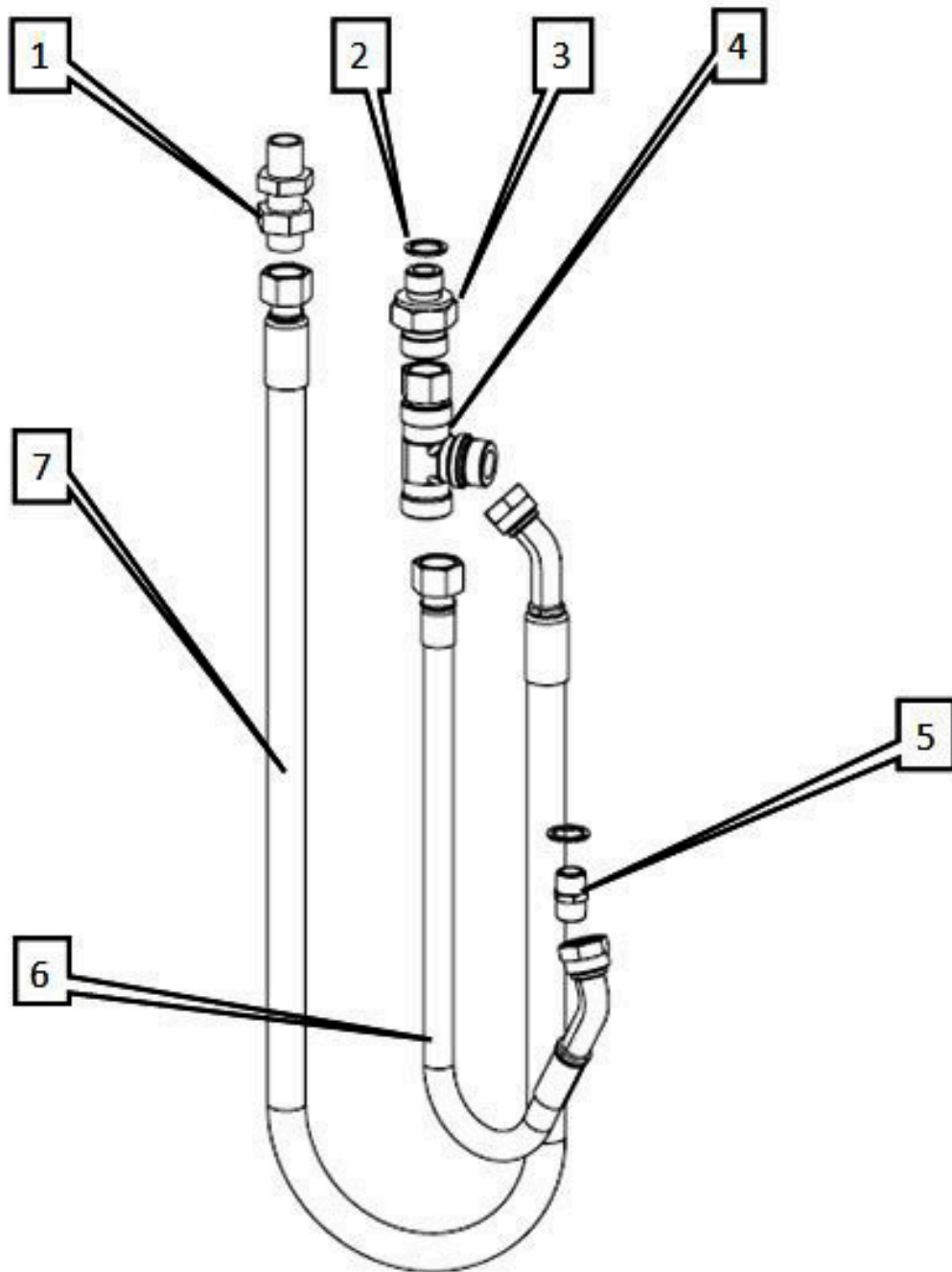
No.	Part No.	Description	4-100		4-120		4-150	
			HE	MAX	HE	MAX	HDX	MAX
1	04-36833	Bulkhead Fitting 3/4" BSP	1	1	1	1	1	1
2	04-46759	Bonded Seal 1/2"	2	2	2	2	2	2
3	04-27713	3/4" BSP - 1/2" BSP MM Adaptor	1	1	1	1	1	1
4	04-68802	Tee Fitting F-M-M 3/4" BSP	1	1	1	1	1	1
5	04-80534	1/2" BSP - 1/2" BSP MM Adaptor	1	1	1	1	1	1
6	04-88833	Supply Hose BSP	1	1	1	1	1	1
7	04-30120	Hose BSP	1	1	1	1	1	1

SUPPLY CIRCUIT - JIC

USA & Canada Only

No.	Part No.	Description	4-100		4-120		4-150	
			HE	MAX	HE	MAX	HDX	MAX
1	04-69494	Bulkhead Fitting 1 1/16" JIC	1	1	1	1	1	1
2	04-46759	Bonded Seal 1/2"	2	2	2	2	2	2
3	04-35281	1 1/16" JIC - 1/2" BSP MM Adaptor	1	1	1	1	1	1
4	04-15055	Tee Fitting F-M-M 1 1/16" JIC	1	1	1	1	1	1
5	04-42385	7/8" JIC - 1/2" BSP MM Adaptor	1	1	1	1	1	1
6	04-59857	Supply Hose JIC	1	1	1	1	1	1
7	04-88880	Hose JIC	1	1	1	1	1	1

Hose Group - Return Circuit



RETURN CIRCUIT - BSP

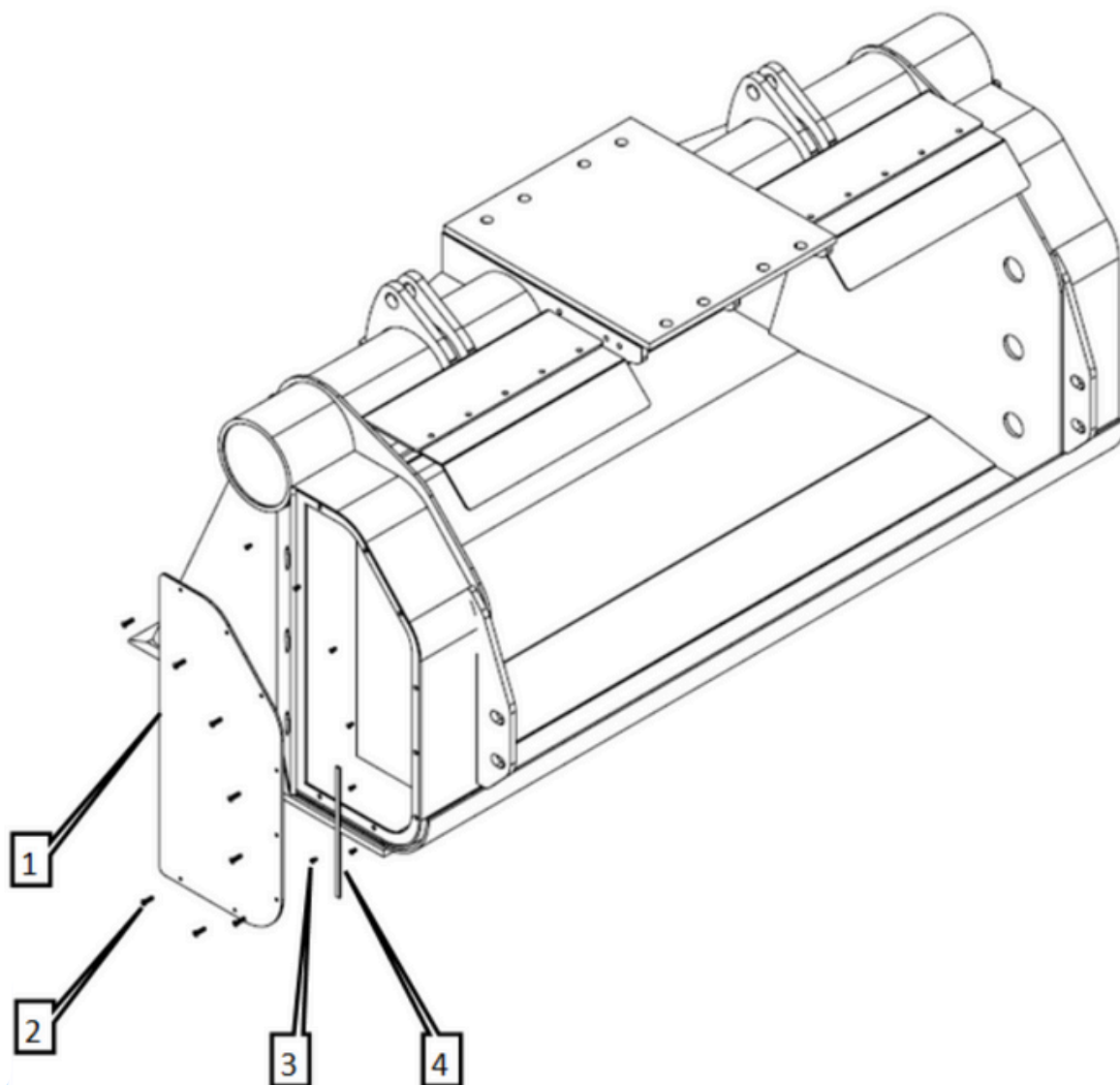
No.	Part No.	Description	4-100		4-120		4-150	
			HE	MAX	HE	MAX	HDX	MAX
1	04-36833	Bulkhead Fitting 3/4" BSP	1	1	1	1	1	1
2	04-46759	Bonded Seal 1/2"	2	2	2	2	2	2
3	04-27713	3/4" BSP - 1/2" BSP MM Adaptor	1	1	1	1	1	1
4	04-68802	Tee Fitting F-M-M 3/4" BSP	1	1	1	1	1	1
5	04-80534	1/2" BSP - 1/2" BSP MM Adaptor	1	1	1	1	1	1
6	04-70071	Return Hose BSP	1	1	1	1	1	1
7	04-30120	Hose BSP	1	1	1	1	1	1

RETURN CIRCUIT - JIC

USA & Canada Only

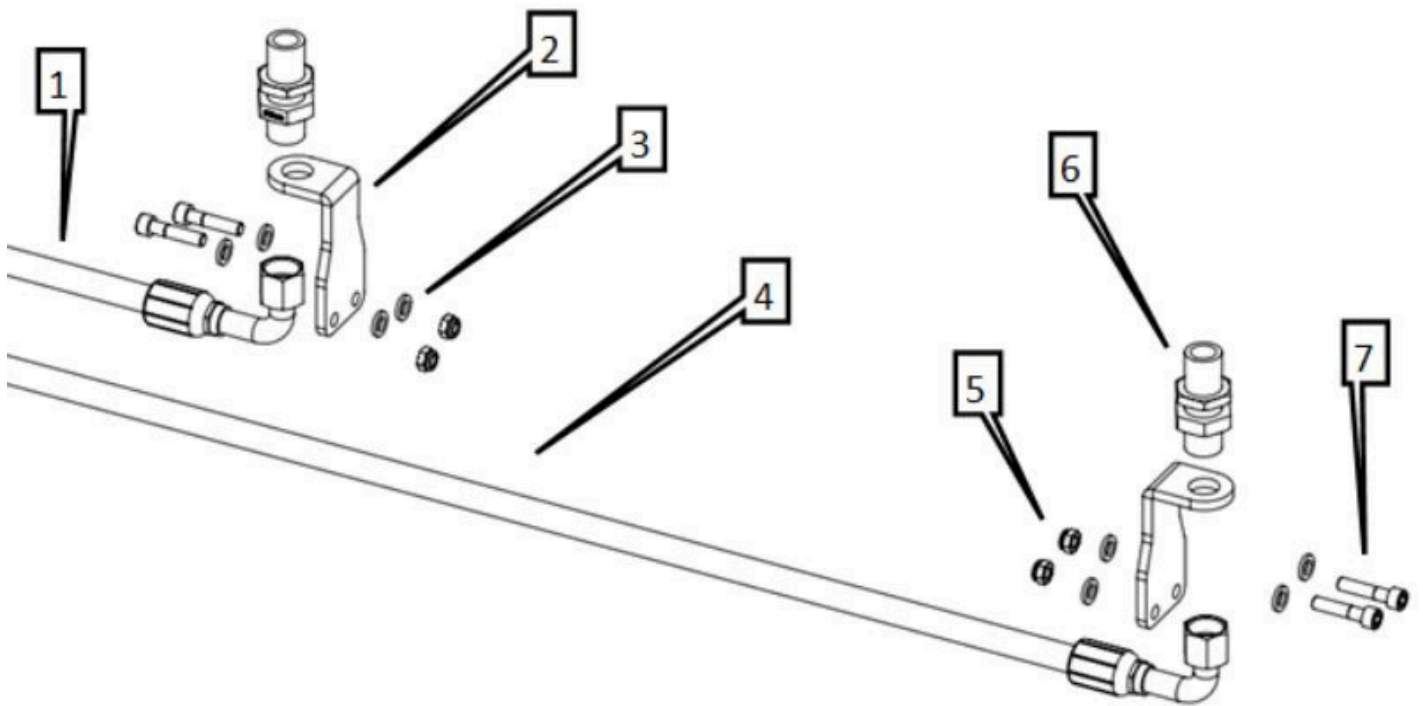
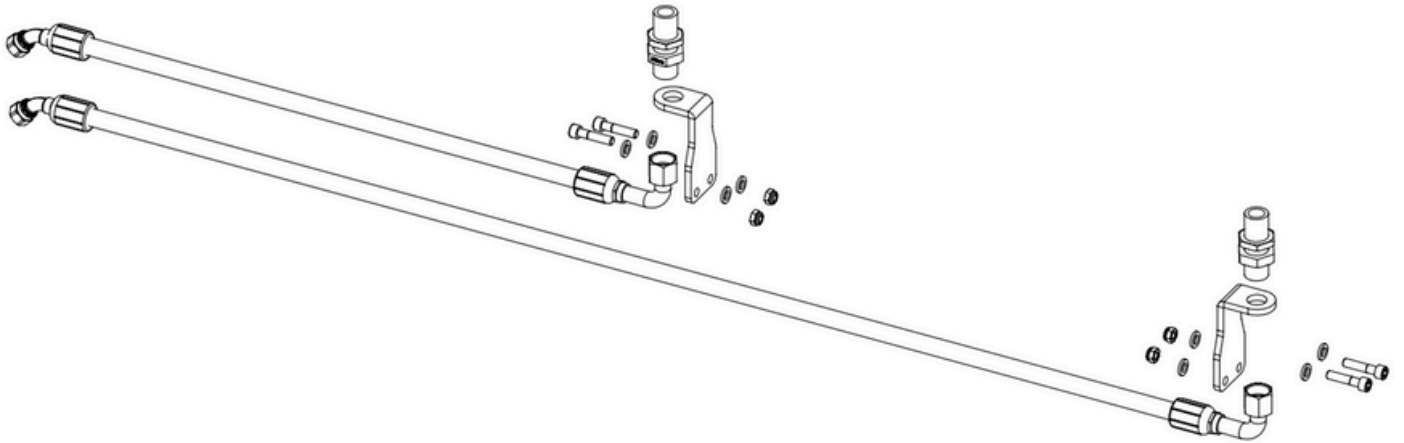
No.	Part No	Description	4-100		4-120		4-150	
			HE	MAX	HE	MAX	HDX	MAX
1	04-69494	Bulkhead Fitting 1 1/16" JIC	1	1	1	1	1	1
2	04-46759	Bonded Seal 1/2"	2	2	2	2	2	2
3	04-35281	1 1/16" JIC - 1/12" BSP MM Adaptor	1	1	1	1	1	1
4	04-15055	Tee Fitting F-M-M 1 1/16" JIC	1	1	1	1	1	1
5	04-42385	7/8" JIC - 1/2" BSP MM Adaptor	1	1	1	1	1	1
6	04-30796	Return Hose JIC	1	1	1	1	1	1
7	04-88880	Hose JIC	1	1	1	1	1	1

Door Group



No.	Part No	Description	4-100		4-120		4-150	
			HE	MAX	HE	MAX	HDX	MAX
1	01-56516	4 Rotor Door Cover L	1	1	1	1	1	1
1	01-18770	4 Rotor Door Cover R	1	1	1	1	1	1
2	06-57851	M6 x 25mm Socket Countersink Screw	16	16	16	16	16	16
3	06-29369	M6 Nut Insert	16	16	16	16	16	16
4	07-89732	Self Adhesive Seal (1 Meter Length)	3	3	3	3	3	3

Cross-Over Hoses



CROSSOVER HOSES - BSP

No.	Part No	Description	4-100		4-120		4-150	
			HE	MAX	HE	MAX	HDX	MAX
1	04-13242	4-100 Cross Over Short Hose BSP	1	1	--	--	--	--
1	04-60037	4-120 Cross Over Short Hose BSP	--	--	1	1	--	--
1	04-81026	4-150 Cross Over Short Hose BSP	--	--	--	--	1	1
2	04-43374	Hose Ear 4 Rotor Cross Over	2	2	2	2	2	2
3	06-83734	Flat Washer S10	4	4	4	4	4	4
4	04-79339	4-100 Cross Over Long Hose BSP	1	1	--	--	--	--
4	04-34754	4-120 Cross Over Long Hose BSP	--	--	1	1	--	--
4	04-24279	4-150 Cross Over Long Hose BSP	--	--	--	--	1	1
5	06-18546	M10 Nyloc Nut	4	4	4	4	4	4
6	04-36833	Bulkhead Fitting 3/4" BSP	2	2	2	2	2	2
7	06-38709	M10 x 45 Socket Cap Screw	4	4	4	4	4	4

CROSSOVER HOSES - JIC

USA & Canada Only

No.	Part No	Description	4-100		4-120		4-150	
			HE	MAX	HE	MAX	HDX	MAX
1	04-57947	4-100 Cross Over Short Hose JIC	1	1	--	--	--	--
1	04-19064	4-120 Cross Over Short Hose JIC	--	--	1	1	--	--
1	04-64186	4-150 Cross Over Short Hose JIC	--	--	--	--	1	1
2	04-43374	Hose Ear 4 Rotor Cross-over	2	2	2	2	2	2
3	06-83734	Flat Washer S10	4	4	4	4	4	4
4	04-73761	4-100 Cross Over Long Hose JIC	1	1	--	--	--	--
4	04-92878	4-120 Cross Over Long Hose JIC	--	--	1	1	--	--
4	04-61265	4-150 Cross Over Long Hose JIC	--	--	--	--	1	1
5	06-18546	M10 Nyloc Nut	4	4	4	4	4	4
6	04-69494	Bulkhead Fitting 1 1/16" JIC	2	2	2	2	2	2
7	06-38709	M10 x 45 Socket Cap Screw	4	4	4	4	4	4

Cross-Over Kit

Part No	Description	Qty	Notes
04-90335	4-100 Cross Over Kit BSP	1	Consists of: 04-13242 Qty 1 04-79339 Qty 1 04-43374 Qty 2 06-18546 Qty 4 06-38709 Qty 4 06-83734 Qty 4 04-36833 Qty 2
04-13242	4-100 Cross Short Hose BSP	1	
04-79339	4-100 Cross Over Long Hose BSP	1	
04-43374	Hose Ear 4 Rotor Cross-Over	2	
06-18546	M10 Nyloc Nut	4	
06-38709	M10 x 45 Socket cap Screw	4	
06-83734	Flat Washer S10	4	
04-36833	Bulkhead Fitting 3/4" BSP	2	

Part No	Description	Qty	Notes
04-57516	4-120 Cross Over Kit BSP	1	Consists of: 04-60037 Qty 1 04-34754 Qty 1 04-43374 Qty 2 06-18546 Qty 4 06-38709 Qty 4 06-83734 Qty 4 04-36833 Qty 2
04-60037	4-120 Cross Short Hose BSP	1	
04-34754	4-120 Cross Over Long Hose BSP	1	
04-43374	Hose Ear 4 Rotor Cross-Over	2	
06-18546	M10 Nyloc Nut	4	
06-38709	M10 x 45 Socket cap Screw	4	
06-83734	Flat Washer S10	4	
04-36833	Bulkhead Fitting 3/4" BSP	2	

Part No	Description	Qty	Notes
04-81757	4-150 Cross Over Kit BSP	1	Consists of: 04-81026 Qty 1 04-24279 Qty 1 04-43374 Qty 2 06-18546 Qty 4 06-38709 Qty 4 06-83734 Qty 4 04-36833 Qty 2
04-81026	4-150 Cross Short Hose BSP	1	
04-24279	4-150 Cross Over Long Hose BSP	1	
04-43374	Hose Ear 4 Rotor Cross-Over	2	
06-18546	M10 Nyloc Nut	4	
06-38709	M10 x 45 Socket cap Screw	4	
06-83734	Flat Washer S10	4	
04-36833	Bulkhead Fitting 3/4" BSP	2	

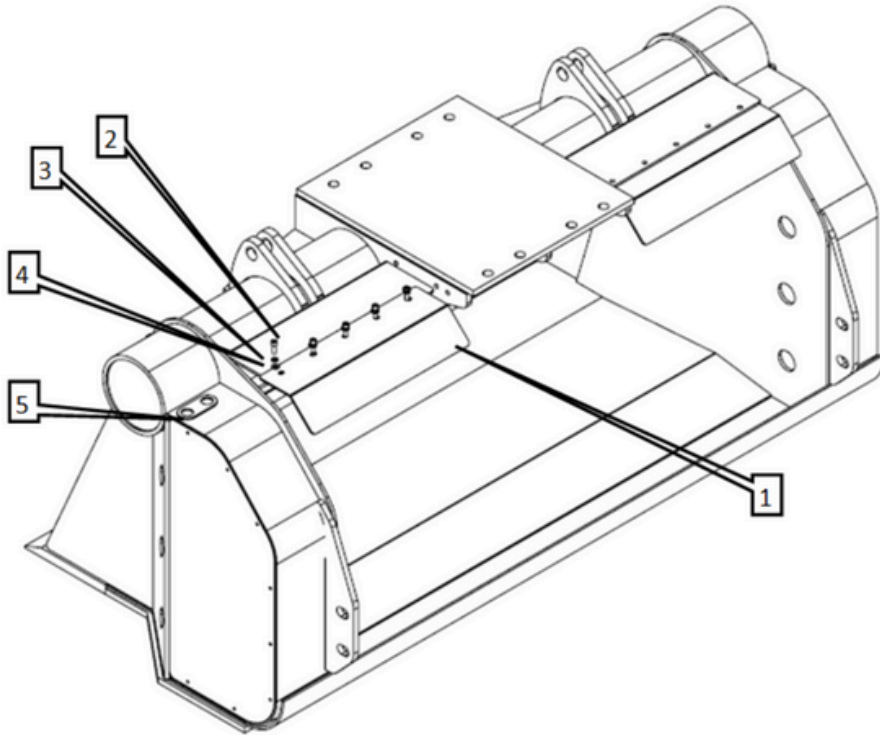
Part No	Description	Qty	Notes
04-91050	4-100 Cross Over Kit JIC	1	Consists of: 04-57947 Qty 1 04-73761 Qty 1 04-43374 Qty 2 06-18546 Qty 4 06-38709 Qty 4 06-83734 Qty 4 04-69494 Qty 2
04-57947	4-100 Cross Short Hose JIC	1	
04-73761	4-100 Cross Over Long Hose JIC	1	
04-43374	Hose Ear 4 Rotor Cross-Over	2	
06-18546	M10 Nyloc Nut	4	
06-38709	M10 x 45 Socket cap Screw	4	
06-83734	Flat Washer S10	4	
04-69494	Bulkhead Fitting 1 1/16" JIC	2	

Part No	Description	Qty	Notes
04-27205	4-120 Cross Over Kit JIC	1	Consists of: 04-19064 Qty 1 04-92878 Qty 1 04-43374 Qty 2 06-18546 Qty 4 06-38709 Qty 4 06-83734 Qty 4 04-69494 Qty 2
04-19064	4-120 Cross Short Hose JIC	1	
04-92878	4-120 Cross Over Long Hose JIC	1	
04-43374	Hose Ear 4 Rotor Cross-Over	2	
06-18546	M10 Nyloc Nut	4	
06-38709	M10 x 45 Socket cap Screw	4	
06-83734	Flat Washer S10	4	
04-69494	Bulkhead Fitting 1 1/16" JIC	2	

Part No	Description	Qty	Notes
04-55215	4-150 Cross Over Kit JIC	1	Consists of: 04-64186 Qty 1 04-61265 Qty 1 04-43374 Qty 2 06-18546 Qty 4 06-38709 Qty 4 06-83734 Qty 4 04-69494 Qty 2
04-64186	4-150 Cross Short Hose JIC	1	
04-61265	4-150 Cross Over Long Hose JIC	1	
04-43374	Hose Ear 4 Rotor Cross-Over	2	
06-18546	M10 Nyloc Nut	4	
06-38709	M10 x 45 Socket cap Screw	4	
06-83734	Flat Washer S10	4	
04-69494	Bulkhead Fitting 1 1/16" JIC	2	

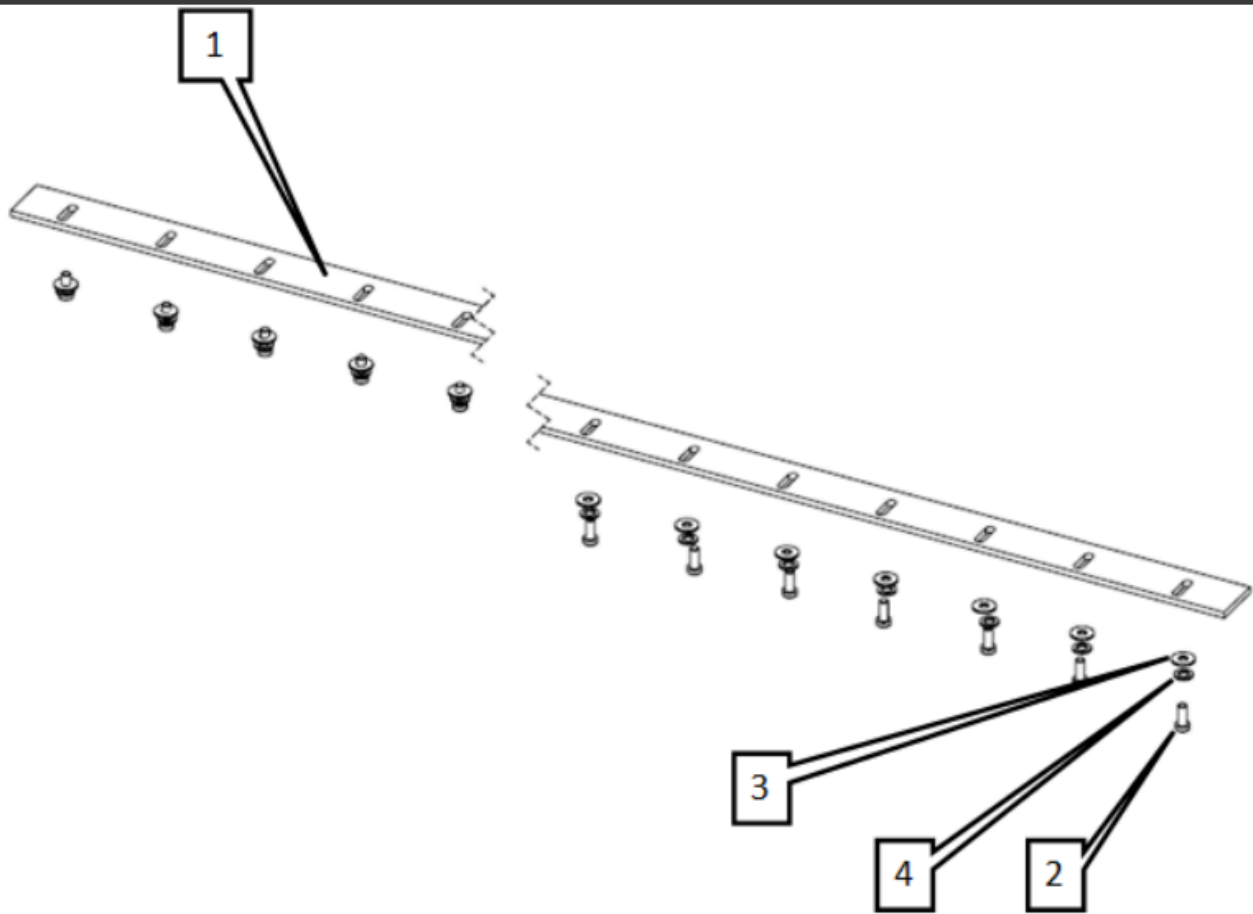
This page has been left
intentionally blank.

Accessories



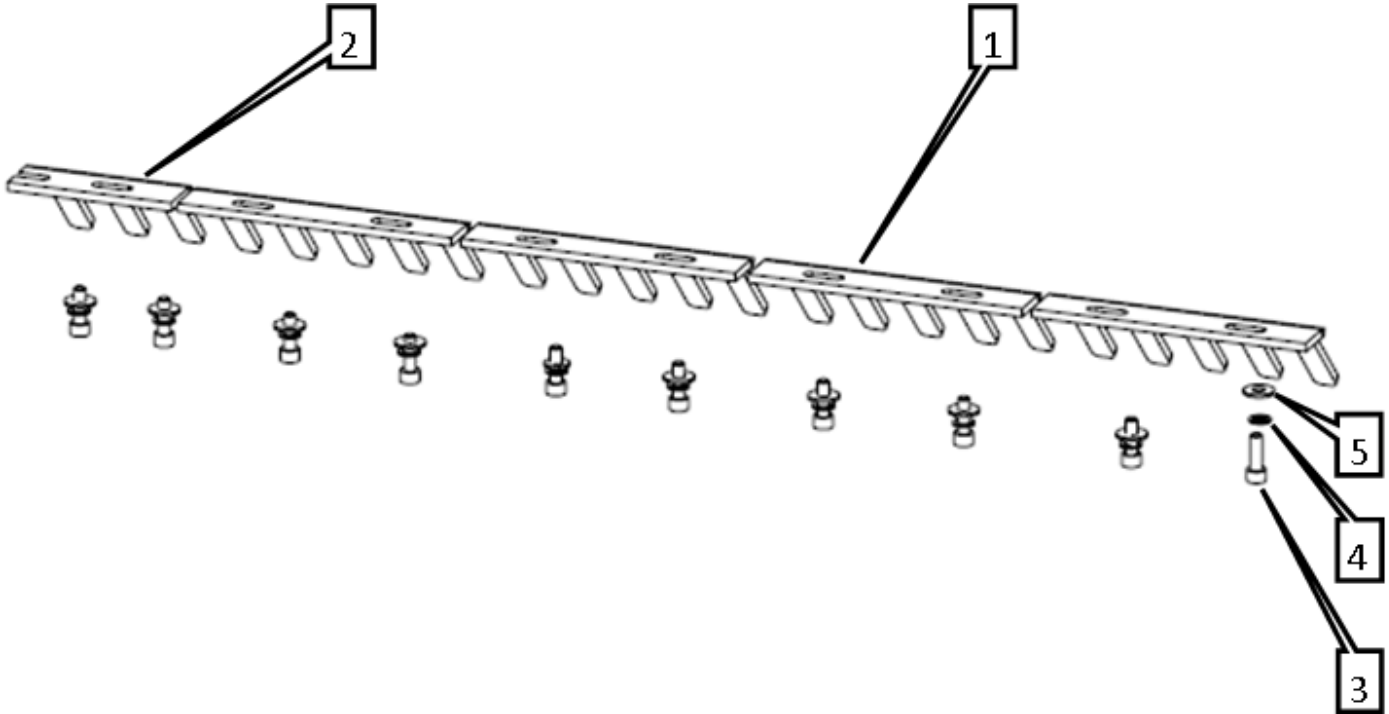
No.	Part No	Description	4-100		4-120		4-150	
			HE	MAX	HE	MAX	HDX	MAX
1	05-64440	Stone Guard 4-100	2	2	--	--	--	--
1	05-64946	Stone Guard 4-120	--	--	2	2	--	--
1	05-23319	Stone Guard 4-150	--	--	--	--	2	2
2	06-81127	M10 x 30 Socket Cap Screw	4	4	6	6	10	10
3	06-83734	Flat Washer S10	4	4	6	6	10	10
4	06-18546	M10 Nyloc Nut	4	4	6	6	10	10
5	01-20740	Hose Plate	1	1	1	1	1	1

Stripper Plate



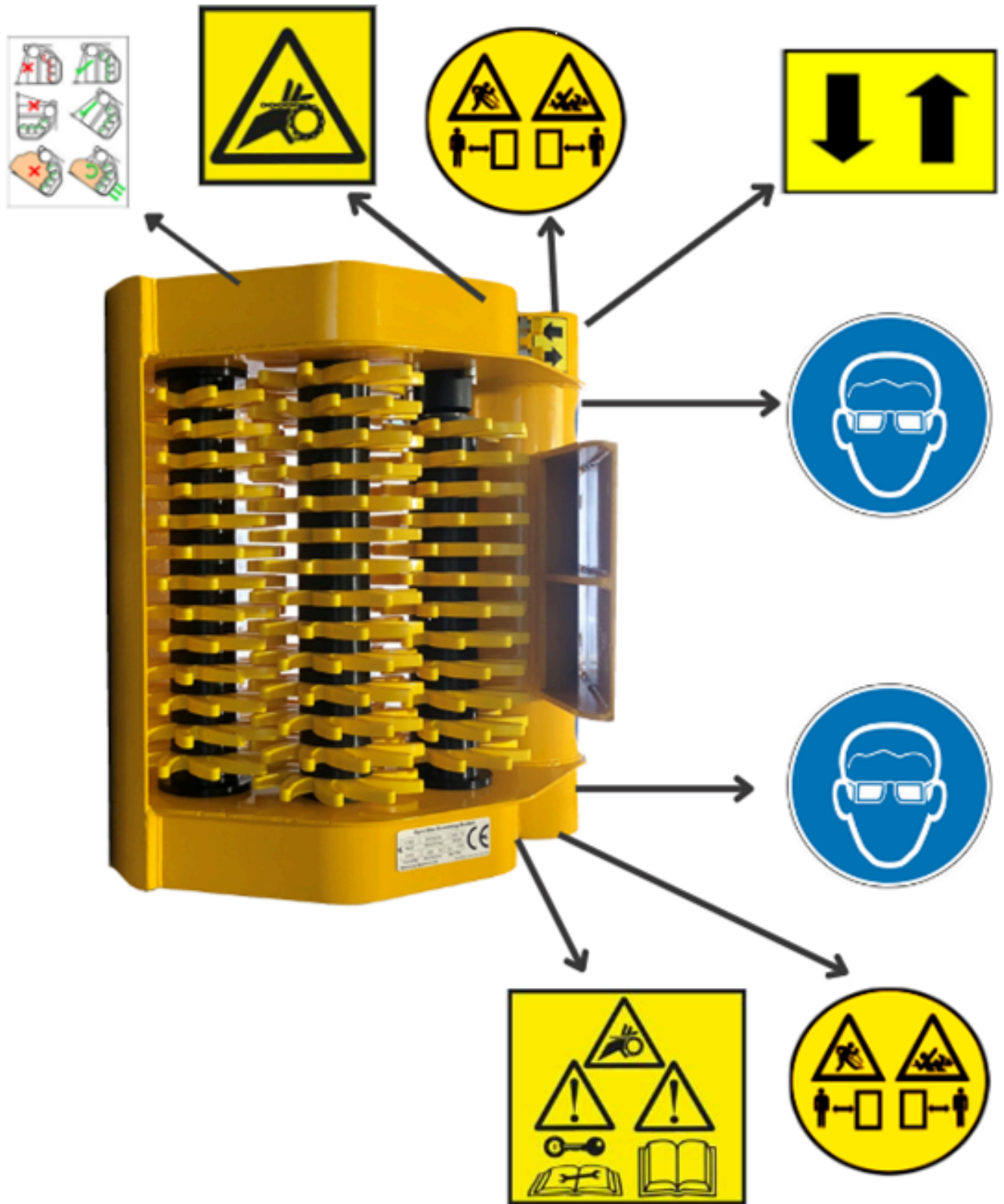
No.	Part No	Description	4-100		4-120		4-150	
			HE	MAX	HE	MAX	HDX	MAX
1	05-62551	Stripper Plate 4-100	1	1	--	--	--	--
1	05-25153	Stripper Plate 4-120	--	--	1	1	--	--
1	05-62817	Stripper Plate 4-150	--	--	--	--	1	1
2	06-45595	M8 x 25 Stainless Steel Socket Countersunk Screw	10	10	12	12	15	15
3	06-44950	M8 Flat Washer	10	10	12	12	15	15
4	06-66588	M8 Spring Washer	10	10	12	12	15	15

18. Comb



No.	Part No	Description	4-100		4-120		4-150	
			HE	MAX	HE	MAX	HDX	MAX
1	05-76319	Long Comb	5	5	6	6	7	7
2	05-70432	Short Comb (Right Hand Split)	--	--	--	--	1	1
3	06-24550	M8 x 20 Socket Cap Screw	10	10	12	12	16	16
4	06-66588	M8 Spring Washer	10	10	12	12	16	16
5	06-44950	M8 Flat Washer	10	10	12	12	16	16

Safety Decals



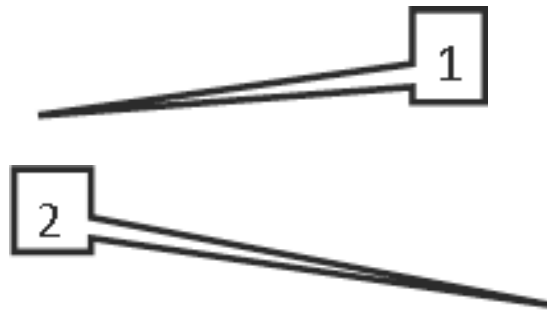
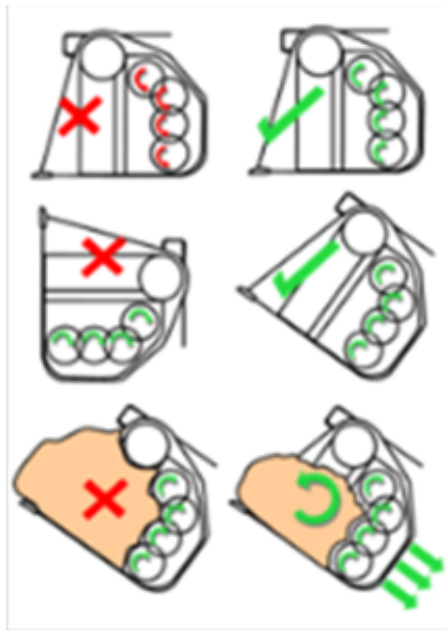
Safety Decals

Complete as a Kit– Not individual Decals



Part No	Description	4-100		4-120		4-150	
		HE	MAX	HE	MAX	HDX	MAX
07-16894	Safety Decal kit Gyru-Star 4 Rotor Models	1	1	1	1	1	1

Additional Decals



No.	Part No	Description	4-100		4-120		4-150	
			HE	MAX	HE	MAX	HDX	MAX
1	07-50421	Advisory Decal One Size	1	1	1	1	1	1
2	07-70023	Model Decal 4-100HE	2	--	--	--	--	--
2	07-70400	Model Decal 4-100MAX	--	2	--	--	--	--
2	07-58970	Model Decal 4-120HE	--	--	2	--	--	--
2	07-62735	Model Decal 4-120MAX	--	--	--	2	--	--
2	07-34888	Model Decal 4-150HDX	--	--	--	--	2	--
2	07-36041	Model Decal 4-150MAX	--	--	--	--	--	2



Gyru-Star Compact Screening Systems are manufactured by



Wheatway Solutions Ltd
B3 Brearley, Baird Road
Waterwells Business Park
Gloucester
GL2 2AF
England

www.gyru-star.com www.wheatway.com

This document was issued on 31st January 2023

Copyright © 2023 Wheatway Solutions Ltd - All rights reserved