

3-100HE



Carriers

4 - 6 ton Excavators

Weight

360kgs

Capacity

0.23m³

Flow

65 lpm

Screening Area

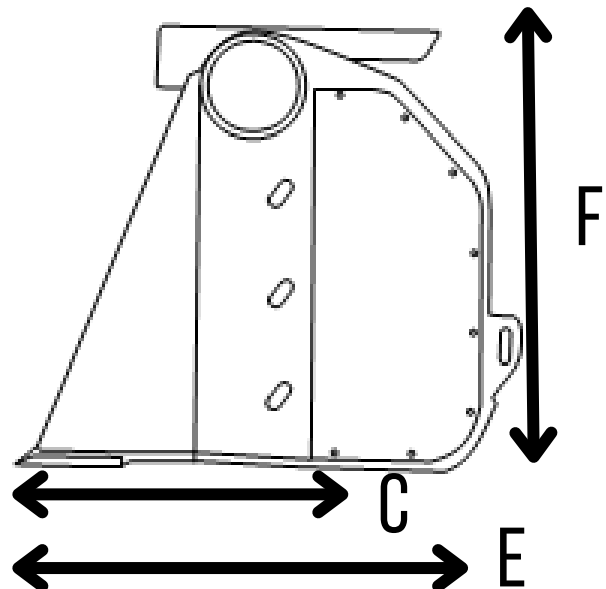
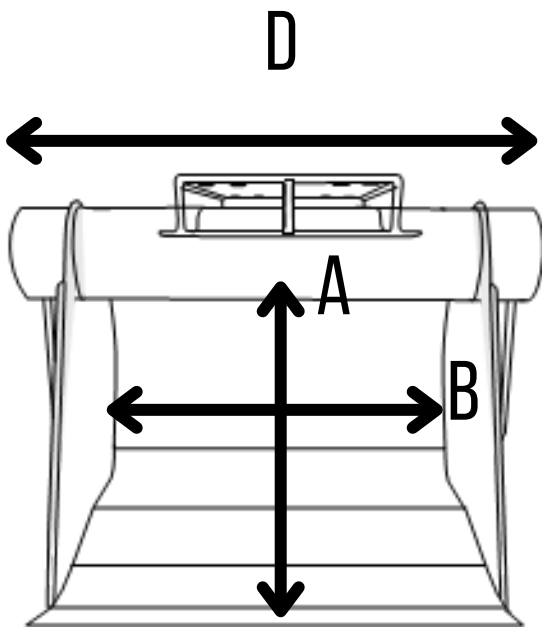
430mm x 1000mm

Dimensions

A - 430mm D - 1250mm

B - 1000mm E - 760mm

C - 530mm F - 710mm



True Compact Screening
Low maintenance System
Poly-Stars screen without crushing
Non-stick floor as standard