

# 3-120HE



## Carriers

5 - 7 ton Excavators

## Weight

390kgs

## Capacity

0.23m<sup>3</sup>

## Flow

65 lpm

## Screening Area

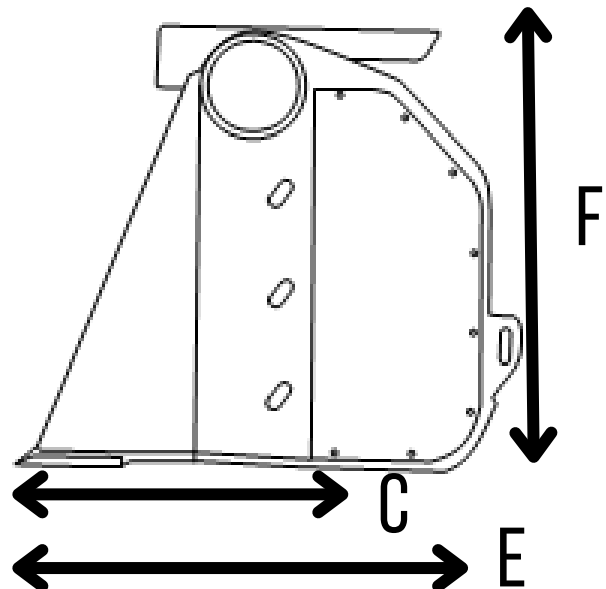
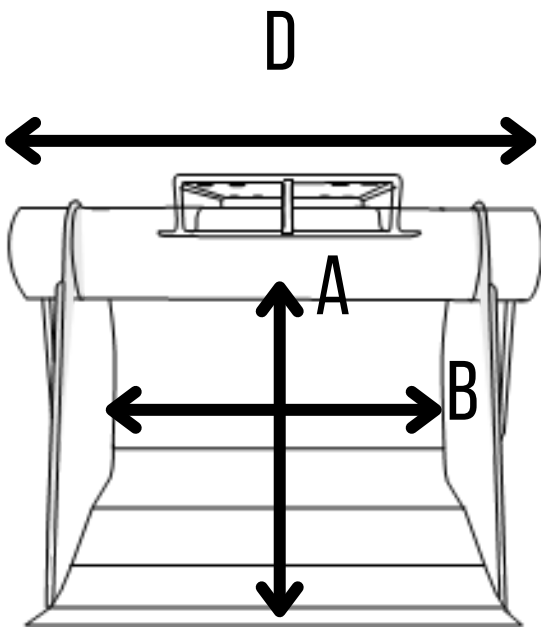
430mm x 1200mm

## Dimensions

A - 430mm      D - 1410mm

B - 1200mm    E - 760mm

C - 500mm      F - 710mm



True Compact Screening  
Low maintenance System  
Poly-Stars screen without crushing  
Non-stick floor as standard