



ARROWHEAD
R O C K D R I L L



R45
Hydraulic Hammer
Parts Manual



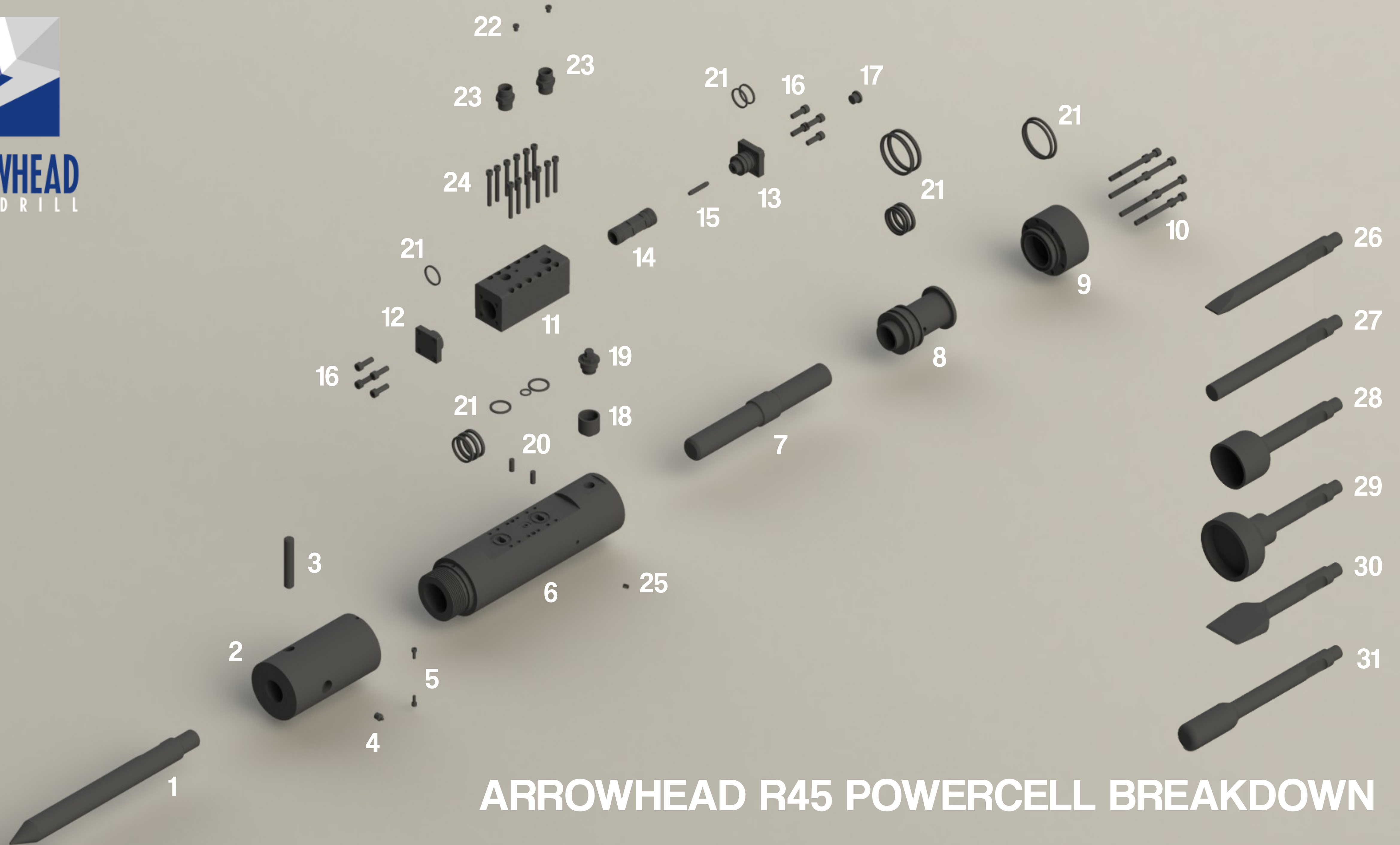
ARROWHEAD
ROCK DRILL

R45 PARTS LIST

Diagram Number	Part Number	Description	Quantity
1	1031301	Moil Point	1
2	1032102	Chuck Housing	1
3	1032311	Tool Retainer	1
4	1011104	Grease Nipple	1
5	1011364	Chuck Retaining Bolt Assembly	2
6	1032101	Main Body	1
7	1031104	Piston	1
8	1031105	Upper Cylinder Liner	1
9	1032103	Cylinder Head	1
10	1011365	Cylinder Head Bolt Assembly	8
11	1021201	Valve Housing	1
12	1021202	Valve Bottom Plate	1
13	1021203	Valve Top Plate	1
14	1021204	Valve Spool	1
15	1021205	Plunger	1
16	1011205	Valve Plate Bolts	8
17	1011201	Pressure Plug	1
18	1011113	Gas Valve Adaptor	1
19	1011105	Gas Valve Assembly	1
20	1011215	Dowel Pins	2
21	1031401	Seal Kit	1
22	1011214	Valve Housing Plug	2
23	1011304	Hose Adaptors	2
24	1011207	Valve to Body Bolts	10
25	1011102	Inspection Port Plug	1
26	1031302	Chisel	1
27	1031303	Blunt	1
28	1031304	1 Piece Post Driver	1
29	1031305	2 Piece Post Driver	1
30	1031306	Tarmac Cutter	1
31	1031307	Power Fist	1
32	1011302	Tool Retaining Rubber Doughnut	1
33	1032309	Hammer Box	1
34	1032313	Decal Set	1
35	1032310	Lower Buffer	1
36	1032311	Upper Buffer	1
37	1022312	Top Bracket	1
38	1011366	Top Bracket Bolts	6
39	1011321	Inlet Pressure Hose	1
40	1011329	Outlet Pressure Hose	1
41	1011112	Gas Valve Spring	1
42	1011111	Gas Valve Shuttle	1
43	1011110	Gas Valve Small O Ring	1
44	1011109	Gas Valve Large O Ring	1
45	1011108	Gas Valve Dowty Washer	2
46	1011107	Gas Valve Body	1
47	1011106	Gas Valve Dust Cap	1



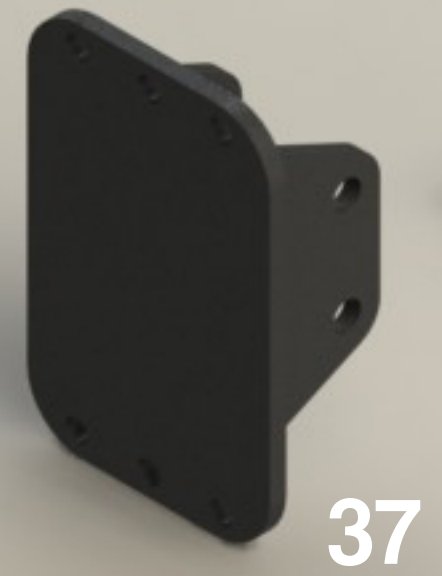
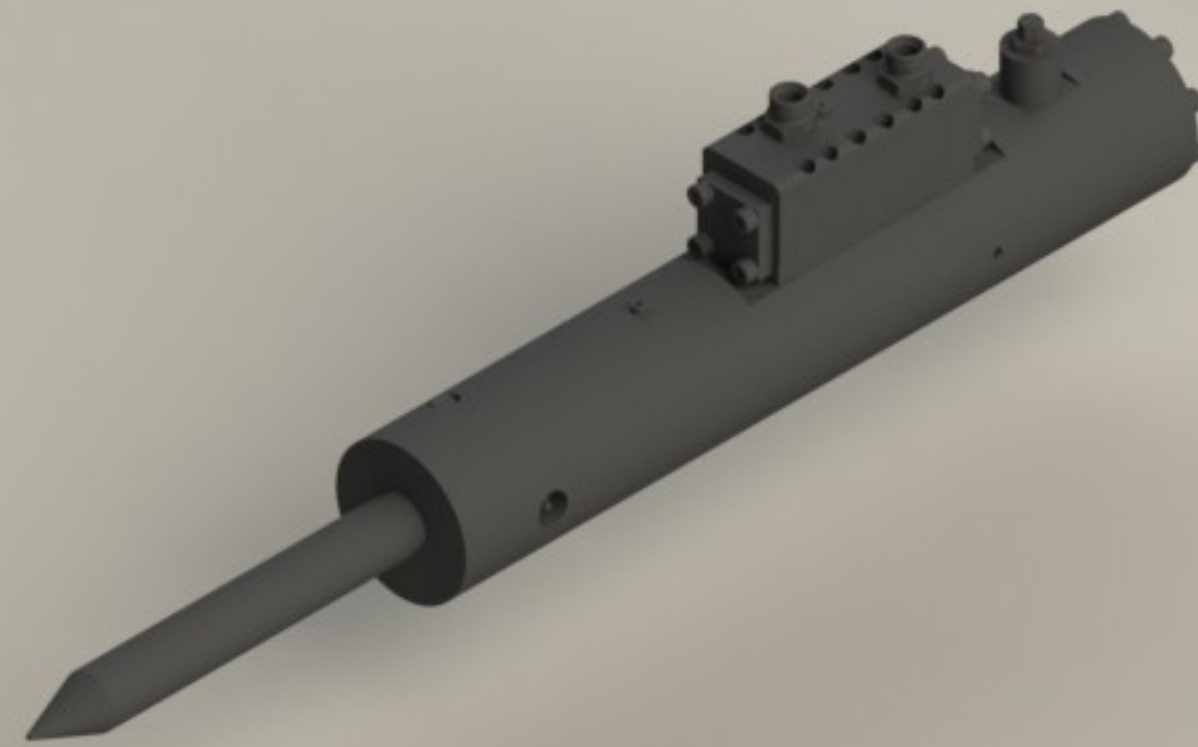
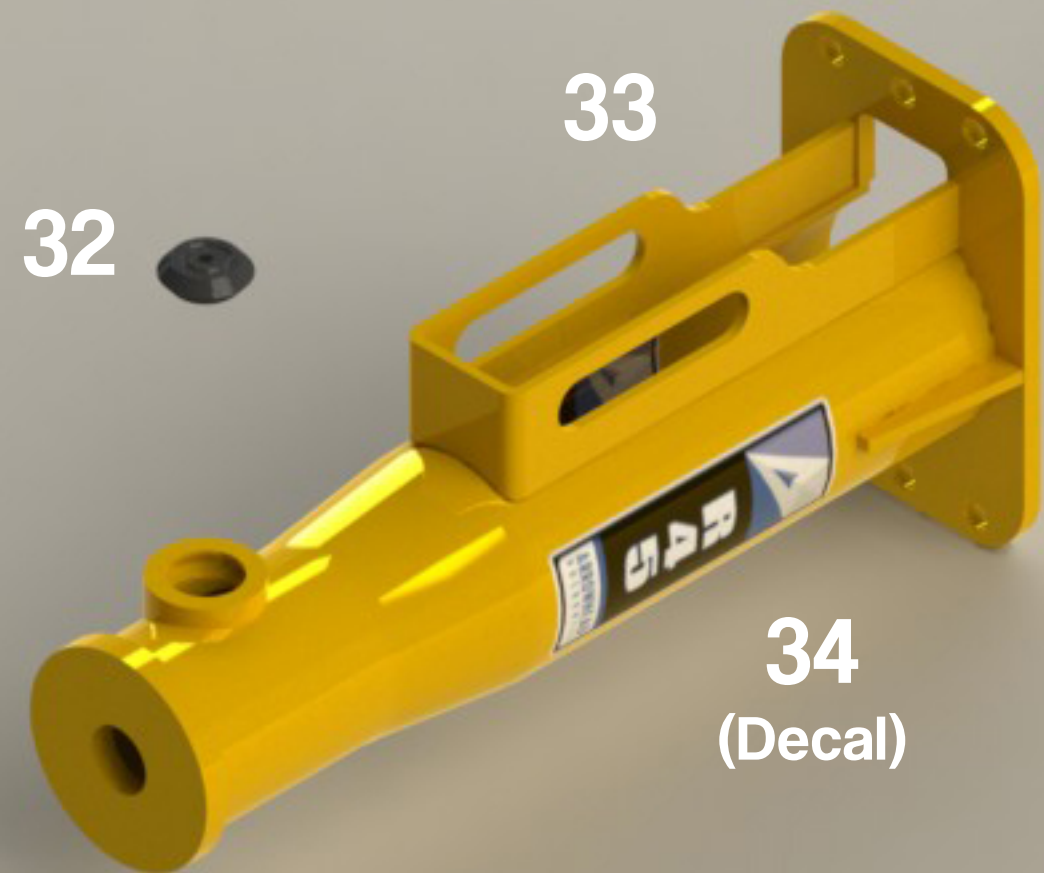
ARROWHEAD
ROCK DRILL



ARROWHEAD R45 POWERCELL BREAKDOWN



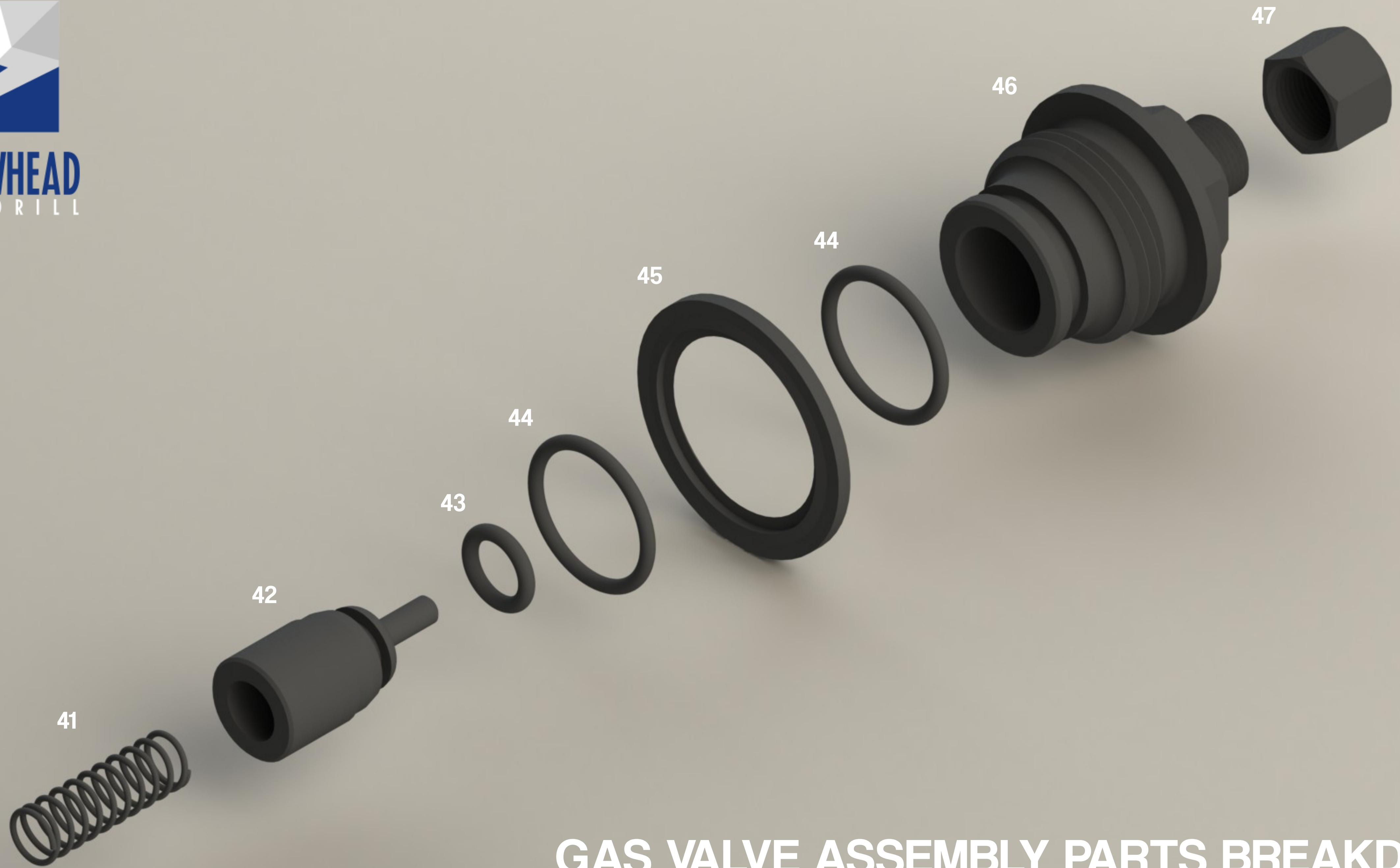
ARROWHEAD
ROCKDRILL



ARROWHEAD R45 HAMMER BREAKDOWN



ARROWHEAD
ROCKDRILL



GAS VALVE ASSEMBLY PARTS BREAKDOWN