

# LIMB TREMOR™



**BUILT BY BROWN • TOUGH & DURABLE**

**MULTI-POSITION LIMB TRIMMER AND BRUSH CUTTER  
MODEL MPT30-10, MPT30-15 (30" CUT) or MODEL MPT40-15 (40" CUT)**





**BROWN  
PRODUCTS, INC**

**1.800.897.3726**

376 C.R. 563 • MIDLAND CITY, AL 36350 • [www.brownproducts.com](http://www.brownproducts.com)

**! WARNING**



**Read and understand operator's manual before using this machine.**  
**Failure to follow operating instructions could result in death or serious injury.**



**WARNING: "This product contains Benzene and Methyl Isobutyl Ketone, chemicals known to the state of California to cause cancer, birth defects and reproductive harm."**  
For more information go to [www.P65Warnings.ca.gov](http://www.P65Warnings.ca.gov)



## Table of Contents

Warranty.....	4
Warranty-Hydraulic Motor.....	5
Registration.....	6
Safety.....	9
Assembly.....	22
Tractor Plumbing Instructions.....	24
Maintenance.....	25
Operating Instructions.....	26
Parts List.....	32
Notes.....	37

All information, including illustrations and specifications contained in this manual are based on the latest information available at the time of publication. The right is reserved to make changes, when deemed necessary, without notice.

**THIS PAGE  
LEFT BLANK**

# WARRANTY STATEMENT

## LIMITED WARRANTY

BROWN PRODUCTS, INC. hereby warrants that the Brown **Limb Tremor™** will be free from defects in material and workmanship under normal use according to the provisions and limitations herein set forth.

All parts, specifically EXCLUDING expendable “wear” parts, that become unserviceable under normal working conditions, due to defective material or workmanship, within one year / 12 months from date of the original retail purchase, shall, at Brown’s option, be repaired or replaced.

## LIMITATIONS

The obligations of Brown for breach of warranty shall be limited to products manufactured by Brown; (1) that are installed, operated, and maintained according to Brown’s instructions furnished and/or available to the purchaser upon request; (2) that are installed according to all other applicable Federal, State, and local codes or regulations; and (3) that the purchaser substantiates were defective in material and workmanship notwithstanding that they were properly installed and correctly maintained as set forth and were not abused or misused.

The obligation of Brown shall be limited to replacing or repairing the defective product, at the option of Brown. Unless pre-approved by Brown Products, Brown shall not be responsible for any labor or cost of removal or repairing or re-installment of its products and shall not be liable for transportation costs to and from its plant in Midland City, Alabama.

**Use of parts for modification or repair of the Limb Tremor™ or any component part thereof not authorized or manufactured by Brown, specifically for the Limb Tremor™, shall void this warranty.**

This warranty shall not apply to any damage to or caused by; (1) FORCE MAJEURE, Act of God, or other accident not related to an inherent product defect; or (2) abuse, misuse, or neglect of the Limb Tremor™, including any damage caused by improper assembly, installation, adjustment, or faulty instruction of the purchaser.

Other than as expressly set forth hereinabove, Brown makes no other warranty express or implied, with respect to the Brown **Limb Tremor™**, including but not limited to any merchantability or fitness for a particular purpose.

In no event shall Brown be responsible for any incidental or consequential damages of any nature suffered by purchaser or any other person or entity caused in whole or in part by the Brown **Limb Tremor™**.

Any person or entity to whom this warranty extends and who claims breach of warranty against Brown must bring suit thereon within one year from the date of occurrence of such breach of warranty or be forever barred from any and all legal or other remedies for such breach of warranty.

Brown is not responsible for and hereby disclaims any undertaking, representation, or warranty made by any dealer, distributor, or other person that is inconsistent with or in any way more expansive than the provisions of this limited warranty.

This warranty grants specific legal rights and shall be read in conformity with applicable state law. In some jurisdictions, the applicable law mandates warranty provisions that provide greater rights than those provided herein. In such case, this limited warranty shall be read to include such mandated provisions; and any provision herein that is prohibited or unenforceable in any such jurisdiction shall, as to such jurisdiction, be ineffective to the extent of such prohibition or unenforceability without invalidating the remaining provisions and without affecting the validity of enforceability of such provisions in any other jurisdiction(s).

**STATEMENT OF POLICY**

In accordance with our established policy of constant improvement, we reserve the right to amend these specifications at any time without notice.

# **WARRANTY STATEMENT**

## **HYDRAULIC MOTOR**

All warranty claims on the hydraulic motor must be accompanied with the original sales invoice to the end user and with the serial number of the hydraulic motor.

# WARRANTY REGISTRATION

**Brown Limb Tremor™**

**Warranty Card**

Name \_\_\_\_\_ Model \_\_\_\_\_

Address \_\_\_\_\_ Serial Number \_\_\_\_\_

City/State \_\_\_\_\_ Date Purchased \_\_\_\_\_

Phone \_\_\_\_\_ Dealer \_\_\_\_\_

E-Mail \_\_\_\_\_

**IMPORTANT:** TO PLACE THE BROWN WARRANTY INTO EFFECT, THIS WARRANTY CARD MUST BE COMPLETED AND MAILED WITHIN 30 DAYS AFTER RECEIVING THIS EQUIPMENT.



376 COUNTY ROAD 563  
MIDLAND CITY, AL 36350

**You may also register this product online by visiting:**

[brownproducts.com/warranty-registration](http://brownproducts.com/warranty-registration)

**USE OF ANY REPLACEMENT PARTS OTHER THAN ORIGINAL BROWN  
REPLACEMENT PARTS WILL VOID ALL WARRANTIES**

**THIS PAGE  
LEFT BLANK**



# OWNER'S MANUAL STORAGE TUBE



## Important Notice

- Brown Products, Inc. provides an Owner's Manual storage tube attached to the back of the Quick Hitch on the Limb Tremor™.
- This holder provides the owner/operator with the proper safety and operation information.
- If the Owner's Manual becomes lost or damaged, contact Brown Products, Inc. or your local Brown dealer for a free replacement.

The Owner's Manual is available online at:

[www.brownproducts.com/products/manuals.htm](http://www.brownproducts.com/products/manuals.htm)



- The Owner's Manual is to stay with the unit at all times.

# EQUIPMENT SAFETY



**WARNING: READ THIS MANUAL BEFORE OPERATING EQUIPMENT**

Operators of the equipment must read and understand this manual. Failure to read this manual and follow these safety and operating instructions may void the warranty and could result in serious bodily injury or even death.

 <b>WARNING</b>	
	<p>Before operating your machine, stop and read this owners manual. Do not attempt to operate the unit until you fully understand the material covered in this manual. Without the knowledge contained in this manual, injury or death can result.</p>

**Each operator of the equipment should review this manual every six (6) months.**

You are encouraged to duplicate this manual and to distribute it to each operator of the equipment for their training reference. Additional copies are available online at [www.brownproducts.com/products/manuals.htm](http://www.brownproducts.com/products/manuals.htm) or by contacting

Brown Products, Inc.

# EQUIPMENT SAFETY



## Recognize safety information

This is the safety alert symbol. When you see this symbol on your equipment or in this manual, be alert to the potential for personal injury or injury to others.

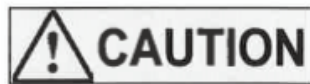
## Understand signal words



**DANGER** indicates an imminently hazardous situation which, if not avoided, can or will result in death or serious injury



**WARNING** indicates a hazardous situation which, if not avoided, could result in serious injury or death



**CAUTION** indicates a potentially hazardous situation which, if not avoided, may result in minor or moderate injury

**NOTICE**

**NOTICE** indicates information considered important but not directly hazard related. (e.g. security, equipment or property damage)

# EQUIPMENT SAFETY

## Follow safety instructions

- Read owner/operator manual.
- Replace missing or damaged safety decals.
- Safety decals and this manual must be considered a permanent part of your equipment.
- Should ownership of the equipment be transferred, this manual must also be transferred.
- Unauthorized modifications to the equipment are not recommended. This could impair the function, safety, and life of the machine and will void the warranty. **NEVER DISABLE OR REMOVE THE SLIDING BLADE GUARD.**
- For any part of this manual that you do not understand, contact your dealer or Brown Products, Inc. at 1-800-897-3726.
- All implements with moving parts are potentially dangerous. Due to this fact, there is no substitute for a safe, knowledgeable operator. It is important that all persons operating this equipment read, understand, and follow the instructions provided in this manual.

**DO NOT OPERATE THIS UNIT IF YOU ARE UNDER THE INFLUENCE OF ALCOHOL, ILLEGAL DRUGS, OR ANY PRESCRIPTION OR OVER THE COUNTER MEDICATIONS THAT COULD CAUSE DROWSINESS, DIZZINESS, DISORIENTATION AND/OR IMPAIR YOUR ABILITY IN ANY WAY TO SAFELY OPERATE THE UNIT**

**DO NOT OPERATE THIS UNIT IF YOU SUFFER FROM ANY PHYSICAL CONDITION OR DISABILITY THAT WOULD IMPAIR YOUR ABILITY TO OPERATE IT SAFELY**

# EQUIPMENT SAFETY



## ⚠ WARNING

### Transport with care

Before transporting equipment to a new location, make certain that the slow-moving vehicle (SMV) emblem is installed and clearly visible. Use flashing lights and follow local traffic regulations.



## ⚠ WARNING

Transport with care. Use slow-moving vehicle emblem and flashing light. Follow local traffic regulations.



## ⚠ DANGER

### Protect bystanders, clear work area of debris

Do not operate the cutter near people. Bystanders should remain a minimum of 100' from machine while in use, as debris may be thrown. Clear work area of foreign objects such as wire, glass and other debris. Debris thrown by the cutter can or will cause serious injury or death.



## ⚠ DANGER

Do not operate cutter near bystanders. Clear work area of debris before operating.



## ⚠ WARNING

### Parking and dismounting

The rotating parts of this cutter continue to rotate even after the power has been turned off. The operator should remain seated until rotation has stopped. He should set the brake, turn off the engine, and remove the key. See tractor manual for proper parking procedure.



## ⚠ WARNING

Wait for all rotation to stop before dismounting tractor.



## ⚠ CAUTION

### Avoid fires

Keep the machine clean of debris, trash, and any other flammable material.



## ⚠ CAUTION

Keep machine clean of debris. Flammable debris on machine poses fire hazard.

# EQUIPMENT SAFETY

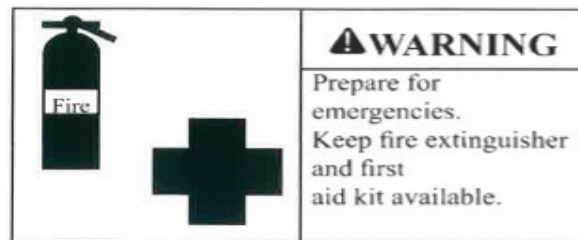
**! WARNING**  
**Seat belt**

Fasten seat belt before starting.  
 Always wear your seat belt.  
 Roll over hazard is always greatest when the machine is lifted in operating position.



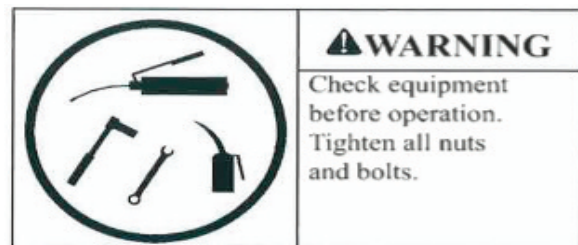
**! WARNING**  
**Prepare for emergencies**

Keep fire extinguisher and first aid kit available. Inspect fire extinguisher and check for charge daily. Check first aid kit for expired contents and keep stocked.



**! WARNING**  
**Check equipment before operating**

Tighten all nuts and bolts before operating. Replace or repair any safety device, bolts, etc., if damaged or worn.



**! DANGER**  
**Stay clear of rotating blade**

The cutter is designed to cut limbs, brush, and trees up to 6" diameter with either a 30" or 40" blade.

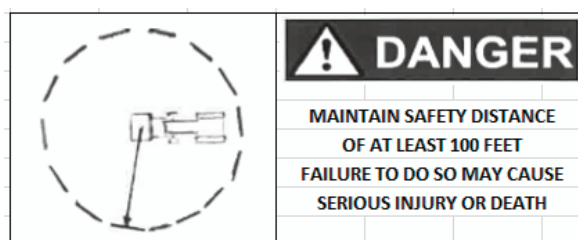
**Keep hands and feet from under cutting deck!**



**! DANGER**  
**Maintain safety distance**

The cutter creates a discharge hazard.  
 Bystanders should always maintain a safe distance of at least 100 feet.

**Never operate the cutter with bystanders closer than 100 feet!**



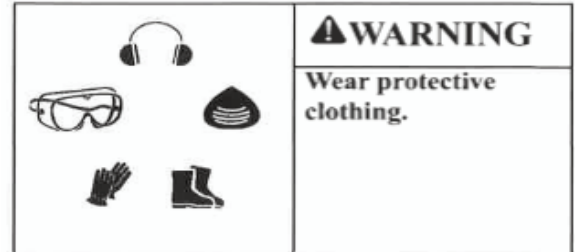
# EQUIPMENT SAFETY



**⚠ WARNING**

**Wear protective clothing**

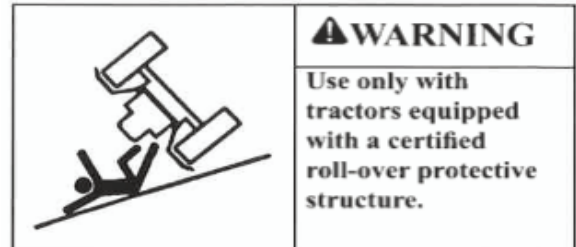
Wear close-fitting clothing and other protective devices appropriate for the job.



**⚠ WARNING**

**Roll-over protection**

Do not operate the cutter on any tractor not equipped with a certified roll-over protective structure (ROPS). Always fasten seat belt when operating.



**⚠ WARNING**

**Parking and dismounting**

When operating on slopes or rough terrain, decrease travel speed. Do not operate in an area where tractor could roll over.

**Be sure to fasten seat belt when operating tractor!**



# EQUIPMENT SAFETY



**⚠ DANGER**

**Keep riders off machine**

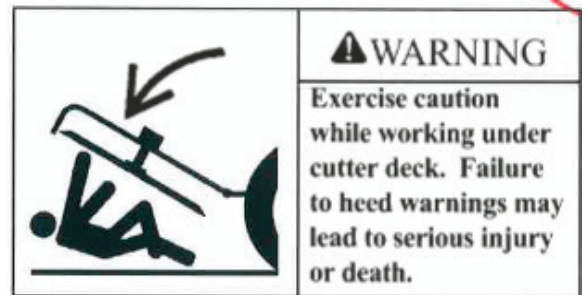
Riders can or will be seriously injured or killed by entanglement or by falling



**⚠ WARNING**

**Hazardous service conditions**

While working under cutter deck, be aware of safety hazards. Follow proper safety precautions. Failure to exercise caution may lead to serious injury or death.



**⚠ WARNING**

**High pressure fluid**

All models are equipped with hydraulic hoses and motors. Use proper safety precautions when working around hydraulic components.

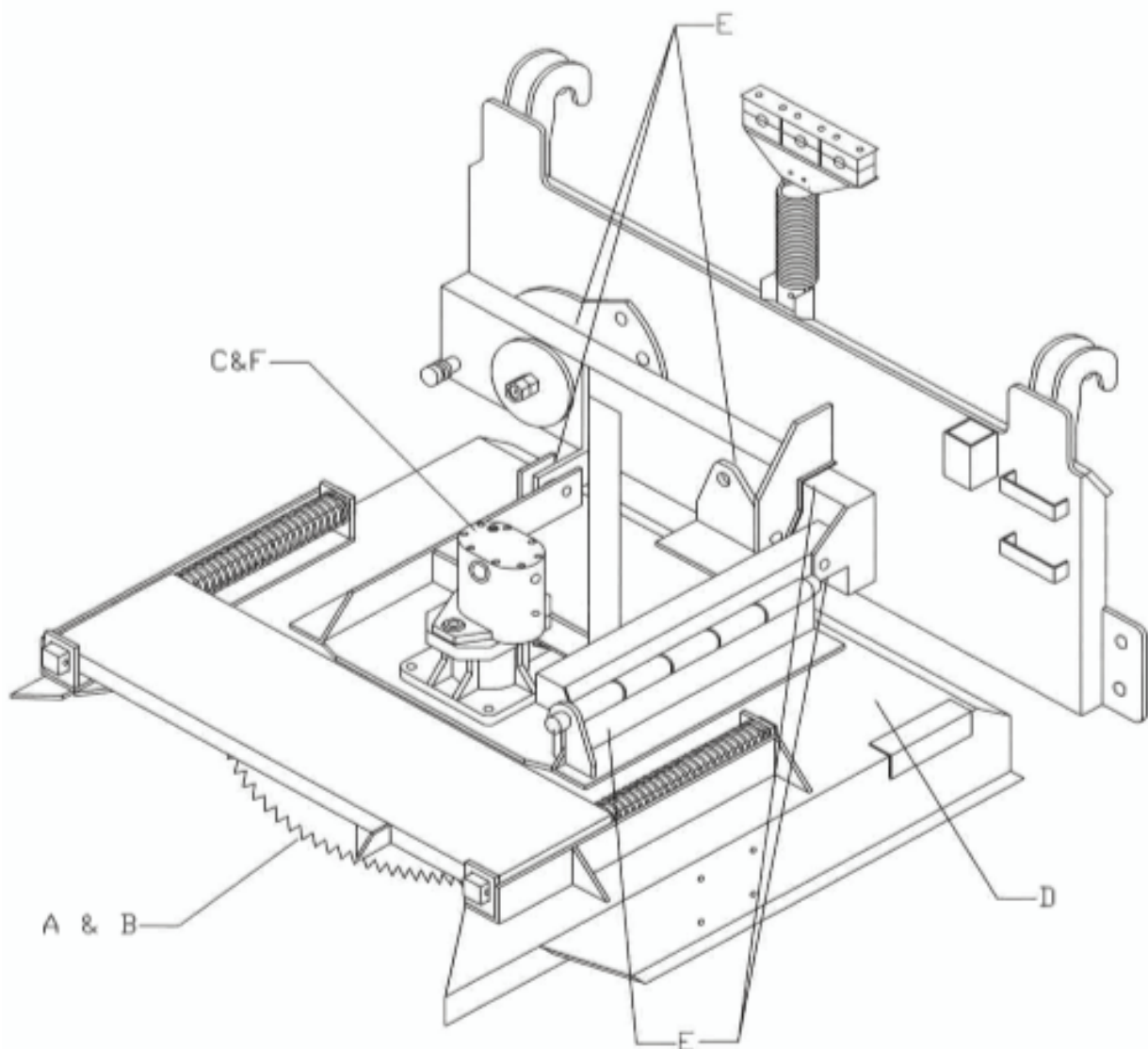




# EQUIPMENT SAFETY

## POTENTIAL DANGER AREAS OF BROWN LIMB TREMOR™

A	Exposed rotating blade	D	Folding deck
B	Material discharge	E	Pinch point
C	Pressurized hydraulics	F	Hot surface

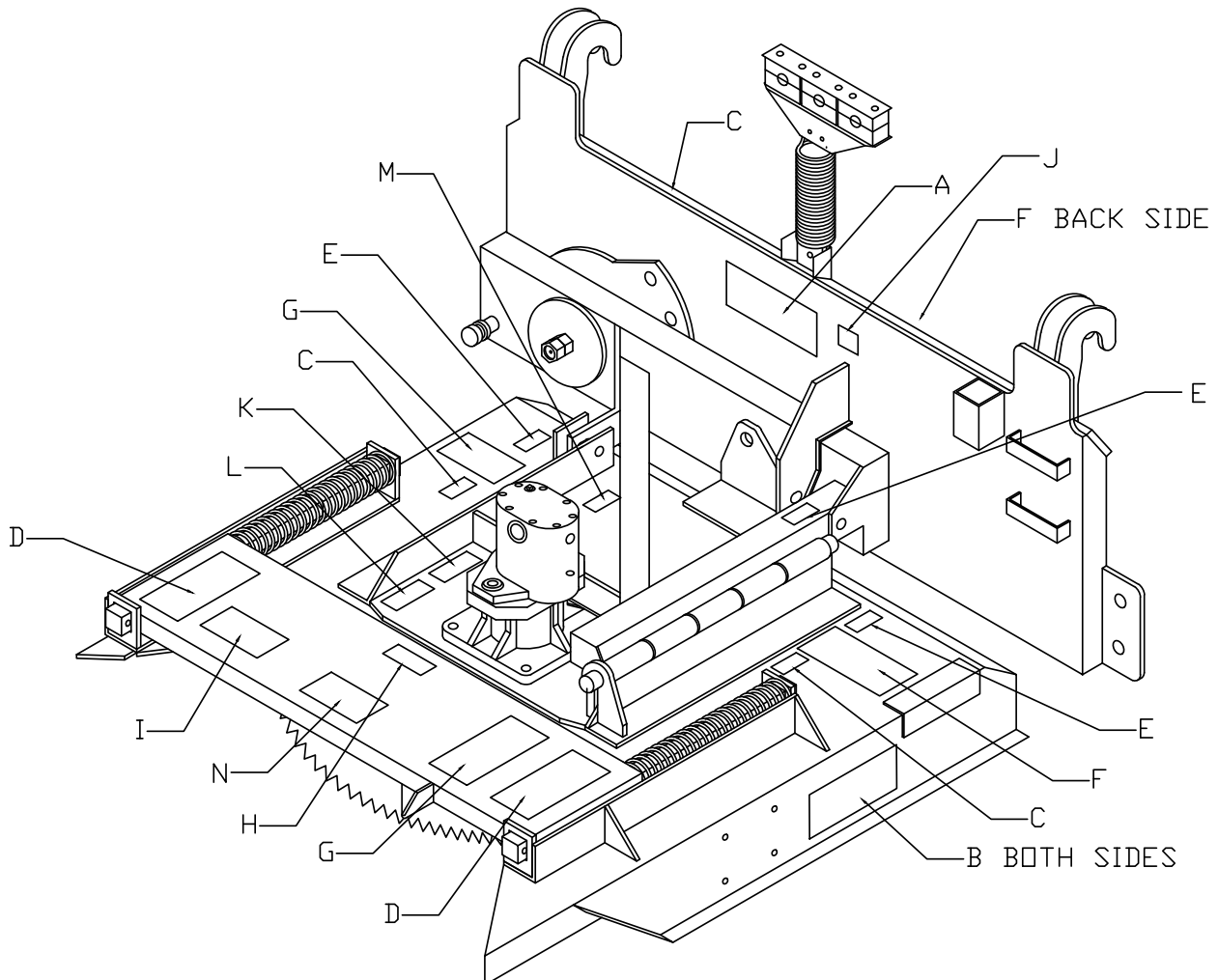


# EQUIPMENT SAFETY

## Safety Decals MPT 30-10, MPT 30-15 and MPT 40-15

Safety decals must be positioned as illustrated below. Use this diagram to correctly identify missing, damaged, or illegible decals for replacement

Ref. No.	Part No.	Description	Ref. No.	Part No.	Description
A	SD-260-726 Black	Brown Products Logo	H	237-0009	No Step
B	SD-210-757	Limb Tremor™ Logo (2 req)	I	SD-005A	Rotating Blades
C	SD-003	Help Avoid Injury (3 req)	J	SD-010-757	Made in the U.S.A.
D	Decal Sheet	Thrown Object Hazard	K	SD-210-772	Hose to Motor Attachment
E	SD-PP	Pinch Points (3 req)	L	SD-210-771	Spindle Oil
F	Decal Sheet	Eye Hazard Large (2 req)	M	Decal Sheet	Maintenance Decal
G	Decal Sheet	Eye Hazard Small (2 req)	N	SD-210-770	Never Remove Guard








# EQUIPMENT SAFETY

## Safety Decals


The following safety decals should be attached to the equipment at all time. Should any decals become damaged or lost, it is the responsibility of the owner to replace it. Additional decals may be obtained from your dealer or Brown Products, Inc.



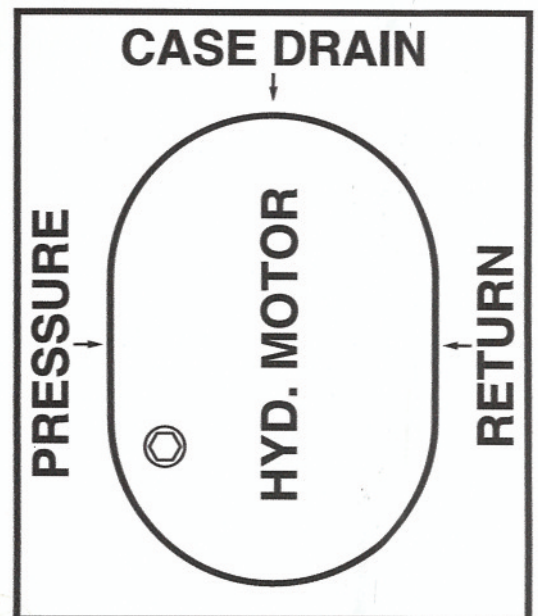
 <b>DANGER</b>		 <b>PELIGRO</b>	
			
<p><b>ROTATING BLADE</b></p> <p>To prevent serious injury or death from rotating blade:</p> <ul style="list-style-type: none"> <li>• Stay clear when blade is turning or engine is running.</li> <li>• Do not place hands or feet under deck when the engine is running.</li> </ul>		<p style="text-align: center;"><b>CHUCHILLA ROTATIVA</b></p> <p>Para precaverse de lesiones graves o de accidentes mortales causados por la cuchilla rotativa:</p> <ul style="list-style-type: none"> <li>• Manténganse a distancia estando funcionando la cuchilla o el motor.</li> <li>• No pongan las manos ni los pies debajo de la plataforma estando en marcha el motor.</li> </ul>	
		 <b>DANGER</b>	
		<p style="text-align: center;"><b>LAME ROTATIVE</b></p> <p>Prévenir les blessures graves et la mort que peuvent causer les lames rotative:</p> <ul style="list-style-type: none"> <li>• Rester éloigné quand les lames tournent ou que le moteur tourne.</li> <li>• Il est interdit de mettre les mains ou les pieds sous le capot quand le moteur tourne.</li> </ul>	
		SD-005A	

# EQUIPMENT SAFETY

## Safety Decals (continued)

<b>⚠ CAUTION</b>		<b>⚠ PRECAUCIÓN</b>	
		<p>En evitación de lesiones y de averías de todo tipo:</p> <ul style="list-style-type: none"> <li>• Utilicen siempre los útiles y herramientas apropiados para el mantenimiento de la máquina.</li> <li>• Léan las instrucciones del manual del usuario.</li> </ul>	
		<b>⚠ ATTENTION</b>	
<p>To Avoid Injury Or Machine Damage:</p> <ul style="list-style-type: none"> <li>• When servicing machine use proper tools and equipment.</li> <li>• Refer to operations manual for instructions.</li> </ul>		<p>Dans le but d'éviter les blessures et les dommages à la machine:</p> <ul style="list-style-type: none"> <li>• Toujours utiliser les outils et équipements appropriés à l'entretien la machine.</li> <li>• Consulter les marches à suivre au manual du propriétaire.</li> </ul>	

<b>⚠ DANGER</b>	
	<p><b>THROWN OBJECT HAZARD</b></p> <p>To prevent serious injury or death from thrown objects:</p> <ul style="list-style-type: none"> <li>• Stay clear when blade is turning.</li> <li>• Operate only with all guards installed and in good condition.</li> <li>• Stop operation if bystanders come within several hundred feet.</li> </ul>



<b>⚠ WARNING</b>	
<b>HELP AVOID INJURY</b>	
<ul style="list-style-type: none"> <li>• Read owners manual</li> <li>• Always wear eye protection</li> <li>• Keep shields in place</li> <li>• Keep others away</li> </ul>	
<small>SD-003</small>	



<p><b>SPINDLE OIL</b></p> <p><b>85-140</b></p>
--

# EQUIPMENT SAFETY

## Safety Decals (continued)

<b>⚠ WARNING</b>
<b>⚠ ADVERTENCIA</b>
<b>⚠ AVERTISSEMENT</b>

<p style="text-align: center;"><b>EYE HAZARD</b></p> <ul style="list-style-type: none"> <li>• Wear eye protection when using this equipment.</li> <li>• Do not direct discharge toward others.</li> </ul>
<p style="text-align: center;"><b>PELIGRO OCULAR</b></p> <ul style="list-style-type: none"> <li>• Cuando utilice esta segadora use gafas de protección.</li> <li>• No dirijan la descarga hacia donde hubiere gente.</li> </ul>
<p style="text-align: center;"><b>RISQUE POUR LES YEUX</b></p> <ul style="list-style-type: none"> <li>• Porter des lunettes protectrices au moment d'utiliser cette machine.</li> <li>• Interdit de diriger la décharge de la machine vers les personnes.</li> </ul>

<b>⚠ WARNING</b>
<b>⚠ ADVERTENCIA</b>
<b>⚠ AVERTISSEMENT</b>

<p style="text-align: center;"><b>EYE HAZARD</b></p> <ul style="list-style-type: none"> <li>• Wear eye protection when using this equipment.</li> <li>• Do not direct discharge toward others.</li> </ul>
<p style="text-align: center;"><b>PELIGRO OCULAR</b></p> <ul style="list-style-type: none"> <li>• Cuando utilice esta segadora use gafas de protección.</li> <li>• No dirijan la descarga hacia donde hubiere gente.</li> </ul>

	<p style="background-color: #f4a460; text-align: center;"><b>⚠ WARNING</b></p> <p><b>Pinch Points.</b> Moving part can crush or cut. <b>KEEP CLEAR</b></p>
---	--

 <b>WARNING</b>
<b>NO STEP</b>
237-0009

# EQUIPMENT SAFETY

## The Ten Commandments of Operation

1. **ALWAYS** - Read and understand the owners manual before operating this or any other equipment.
2. **ALWAYS** - Attach this equipment to a tractor that has suitable safety equipment properly installed.
3. **ALWAYS** - Operate this equipment with all safety devices properly installed and functional. **NEVER DISABLE OR REMOVE THE SLIDING BLADE GUARD.**
4. **ALWAYS** - Inspect, walk, and flag or remove all foreign material from the job site before starting the cutting process.
5. **NEVER** - Allow any riders or bystanders within 100 feet of this unit during operation.
6. **ALWAYS** - Check all bolts, fasteners, fittings and oil levels before beginning operations each day.
7. **NEVER** - Allow blade to make contact with rocks or stumps - unit was not designed for this type of operation.
8. **NEVER** - Allow an untrained operator to operate this equipment.
9. **ALWAYS** - Install only genuine Brown replacement parts.
10. **ALWAYS** - Remain on tractor seat until blade has stopped turning and all tractor shut down procedures have been completed.

**THESE ARE ONLY A FEW OF THE SAFETY PROCEDURES THAT MUST BE FOLLOWED TO INSURE THE SAFE OPERATION OF THIS EQUIPMENT - MANY OTHER SAFETY RELATED POINTS ARE STATED THROUGHOUT THIS MANUAL**



**WARNING: FAILURE TO FOLLOW THE TEN COMMANDMENTS OF OPERATION CAN CAUSE SERIOUS INJURY OR DEATH**

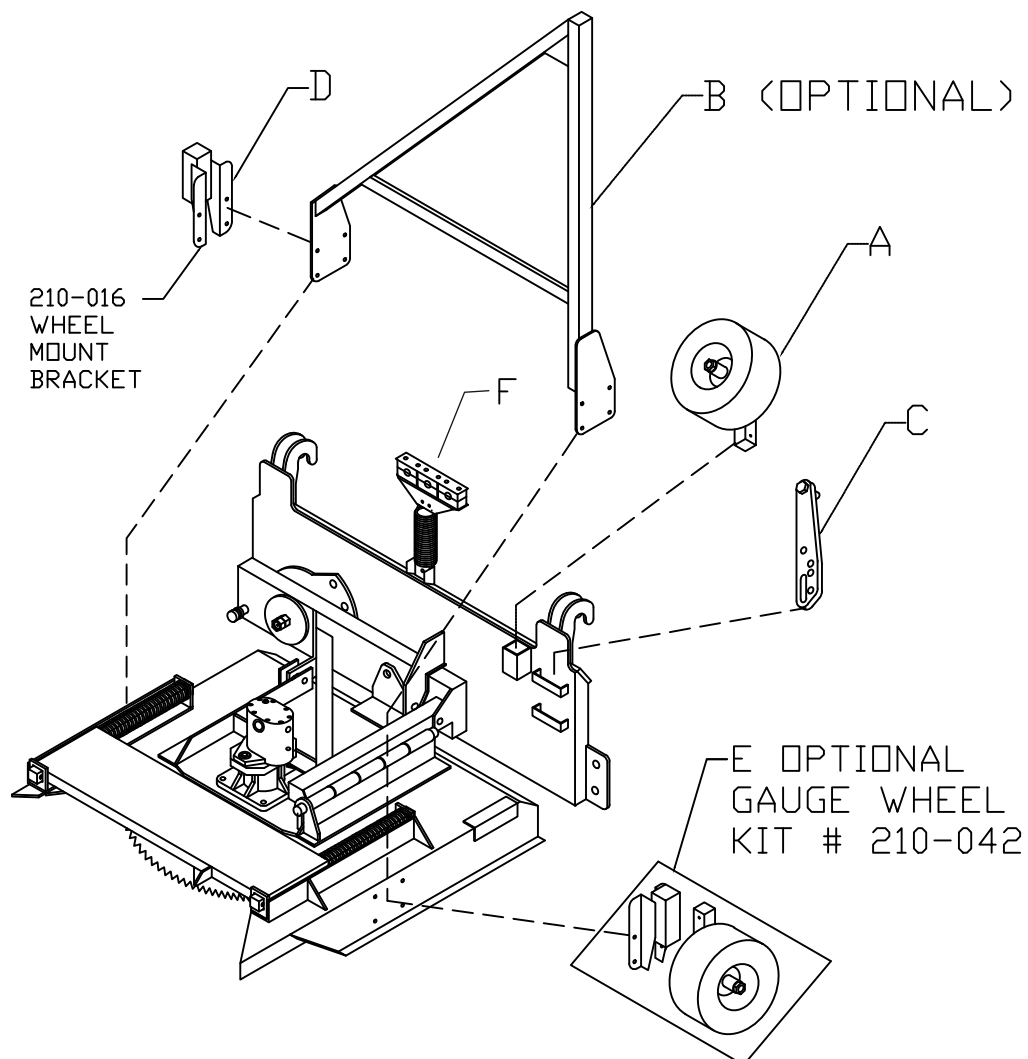
**IF YOU HAVE ANY SAFETY, MAINTENANCE OR OPERATIONAL QUESTIONS PLEASE CALL THE FACTORY BEFORE USING THIS EQUIPMENT AT 1-800-897-3726**

# Operating Requirements

- The tractor must be equipped with a front loader. Four wheel drive is not required but is suggested.
- Minimum tractor horsepower required to operate the Limb Tremor is 35 HP. This will operate the 30" Limb Tremor. The 40" Limb Tremor will require a tractor with increased HP.
- Minimum pump capacity (GPM) required on tractor: The 30" unit is 8 gpm and the 40" is 15 gpm. The gross output of the tractor must equal the output of the saw/unit motor.
- The saw motor is not bi-directional (will not run backwards), so caution must be used when plumbing the hose lines.
- Hydraulics required: The tractor must be equipped with a 3<sup>rd</sup> function or remote hydraulics. The units must have a dedicated return line and dedicated case drain line, both returning to the tank.
- Hitch required: Universal Skid Steer Quick Hitch, JD400 or JD500. All other hitches, including the Euro Global Hitch, will require an adaptor. Adaptors will/should be available at your tractor dealer.
- Weight of the tractor can be a factor for safe operation. Depending on the model and the attachments, the Limb Tremors weigh from 425 pounds to 575 pounds. This could affect the stability of your tractor unit during operation and should be discussed with your dealer before installing a unit. Counter weights may be required.

# Assembly

1. Install the gauge wheel [A] in the storage bracket or in the wheel mount bracket [D] and secure with provided hitch pin.
2. Attach limb guard [B] (optional) to mounting holes on side of deck assembly with provided bolts and nuts. Gauge wheel mount bracket [D] must be removed and reinstalled, placing the limb guard mount between the deck and wheel mount bracket.
3. Place offset retaining bar [C] in storage bracket on quick hitch assembly.
4. If purchased, install the optional gauge wheel and wheel mount [E] (#210-042) to mounting holes on left side of deck with provided bolts and nuts. If equipped with limb guard [B], wheel mount attaches on the outside of limb guard mount.
5. Install hose mount assembly [F] to the mounting bracket on the quick hitch assembly.
6. Insert hydraulic lines in the hose mount assembly [F] and attach hoses to cutter motor. (Hose Kit is available as an option, part #210-768.)





# Assembly

Hose mount assembly



Hose mount assembly, bottom attachment point



# LIMB TREMOR™

## TRACTOR PLUMBING INSTRUCTIONS

### Preferred Plumbing

¾" Return hose from Quick Hitch to tractor case with no back pressure (preferably to the fluid fill port).

3/8" Case Drain hose from Quick Hitch to tractor case with no back pressure (preferably to the fluid fill port).

Both hoses are to be connected with Flat Face High Flow Quick Disconnects.

Pressure is to be provided by the Third Function or the Hydraulic Remotes.

### Optional Plumbing

¾" Return hose from Quick Hitch to tractor case with no back pressure (preferably to the fluid fill port).

At the Quick Hitch use a ¾" Tee and fittings to accommodate a ¾" High Flow QD in line with the Return hose and the 3/8" Case Drain High Flow QD elbowed into the Tee with a 3/8" High Flow QD parallel to the ¾" QD.

# Maintenance

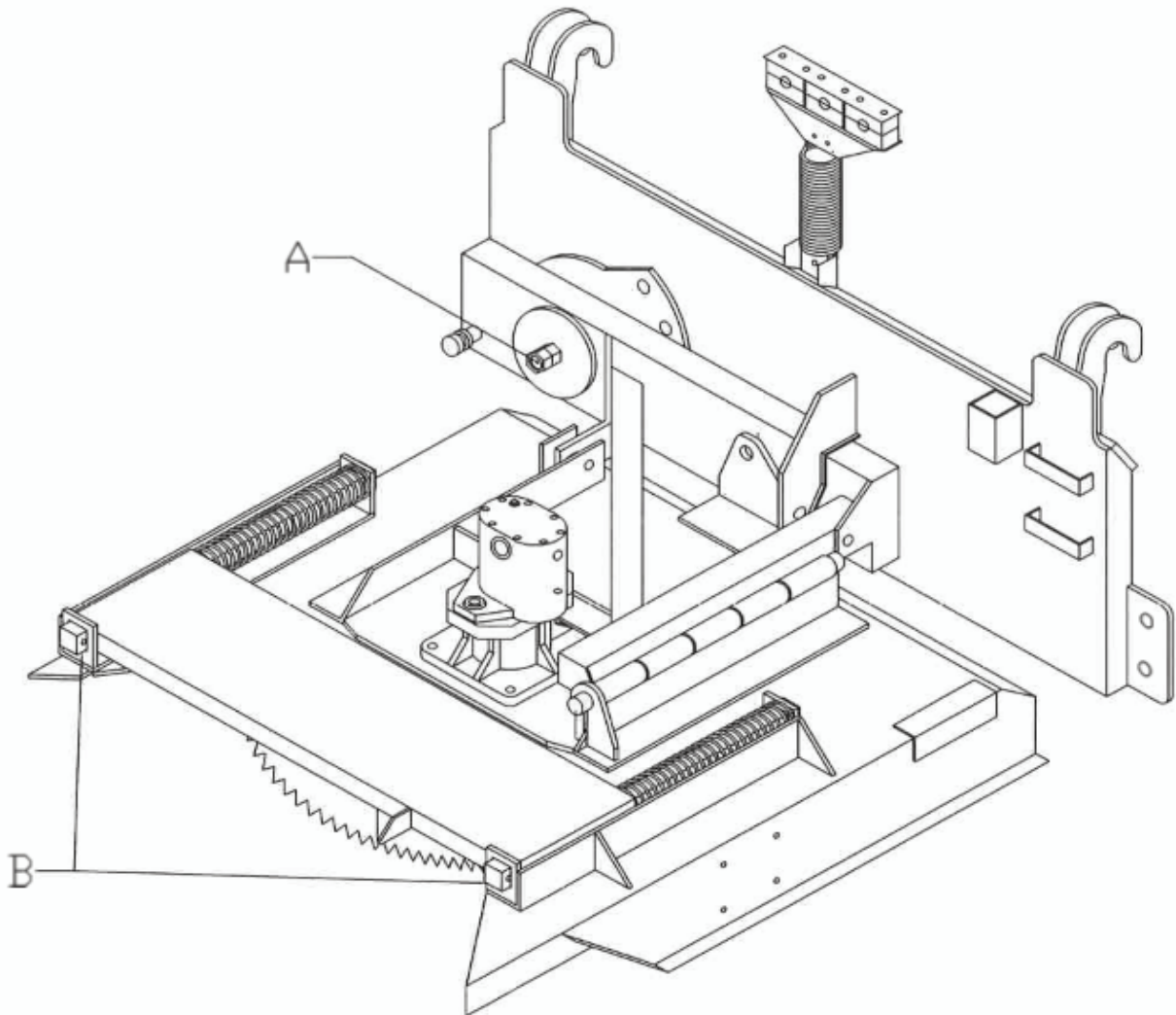
**Tighten blade bolts after 1st hour of operation, then daily or before each use**

## Lube Points

**(grease as needed)**

[A] Grease zerk on pivot arm

[B] Sliding blade guard (2 locations)



# Operating Instructions

On level ground with the tractor brakes applied and the cutter in the front mount location, position cutter so it hangs in the vertical downward position with the quick hitch attachment plate approximately 6' high parallel with the ground.



Remove two hitch pins that hold the pivot arm and the cutter deck in the front mount position.

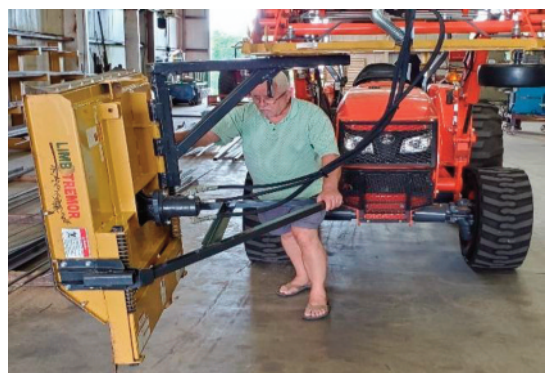


# Operating Instructions

Pull lock pin on the pivot arm at the swivel point and cock it slightly to the side so it remains in the unlocked position, allowing the pivot arm to move.

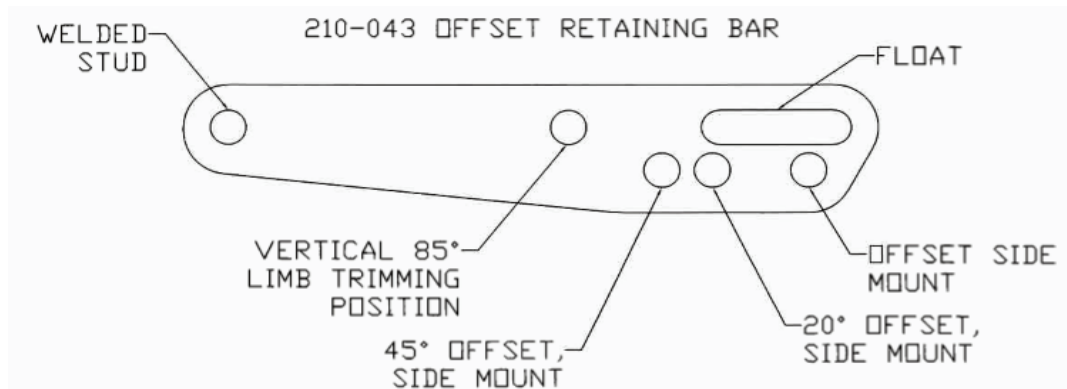


While standing in front of unit, facing the tractor, push the right side of the cutting deck while allowing it to swivel around for clearance between deck and tractor.



# Operating Instructions

Allow the pivot arm to rotate the deck around to the left and lock in place with the lock pin. Using the offset retaining bar, pin the deck in the desired cutting position. (Offset side mount, 20° offset, 45° offset, 85° vertical limb trimming or offset float)

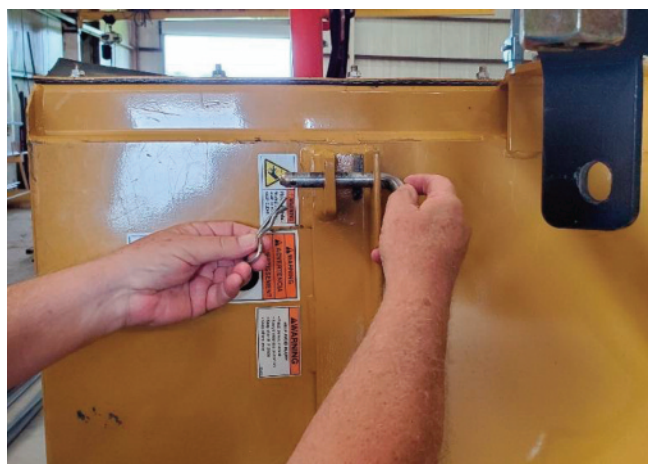


# Operating Instructions

Retaining bar in the offset side mount position.



Hitch pin storage when in offset position.



# Operating Tips

## Limb Trimming

- Side cut underbrush first, then cut limbs.
- Each tree will need to be approached differently
- It is generally best to start high and turn the cutting deck downward and trim down the tree.
- Go slow and reposition as needed to reach the limbs.
- Small limbs may collect between the blade and cutting deck. This could cause the blade to jamb. If this happens turn the cutting deck down and shake out the debris. If this doesn't work, **TURN OFF** the unit and tractor and remove debris by hand. This is more likely to happen when side cutting rather than limb trimming.
- The saw blade is balanced and may be started in any position without vibration.
- The highest reach is obtained with the deck facing upward cutting under the limb. This could cause limb pinch and stall the blade.

## Side Cutting

- The 30" model will cut up to a 6" diameter tree.
- The 40" model will cut up to a 7 1/2" to 8" diameter tree.
- When cutting tall trees, be sure to cut while in the side cutting position so trees do not fall back on the operator.
- Approach the tree and turn wheels hard to the left upon contact with tree.
- Move forward while cutting, pushing the blade into the tree. This will allow the tree to fall to the side, away from the operator.
- At times you must cut a tree from the front. Use caution, and if possible, try to avoid this situation because the tree could fall back onto the operator as you move forward.
- When side cutting brush, the smaller thicker brush may accumulate on top of the blade between the blade and deck causing it to stall.
- It is best to cut 4' - 6' at a time, then back up, tilt the cutting deck down and shake out the debris.
- When cutting larger 3" and 4" saplings, cut off about 1' above the ground so they will fall to the side. Cut 6' - 8' at a time then back up, reposition the deck on the ground and then cut the remaining stumps.



# Operating Tips

## Side Cutting

- If you attempt to cut tall saplings at ground level, they tend to jamb the blade as you move forward.
- Keep in mind this is a saw and does not have free swinging blades. This may allow debris to build up on top of the blade in this cutting position resulting in blade jam.
- When side cutting other than a ditch bank, the cutter performs best when cutting in a sweeping motion, causing debris to fall to the side. Cut while moving forward and turning to the left. Then back up, reposition and continue cutting. This is especially important when cutting large trees that could fall back onto the operator.

## Front Cutting

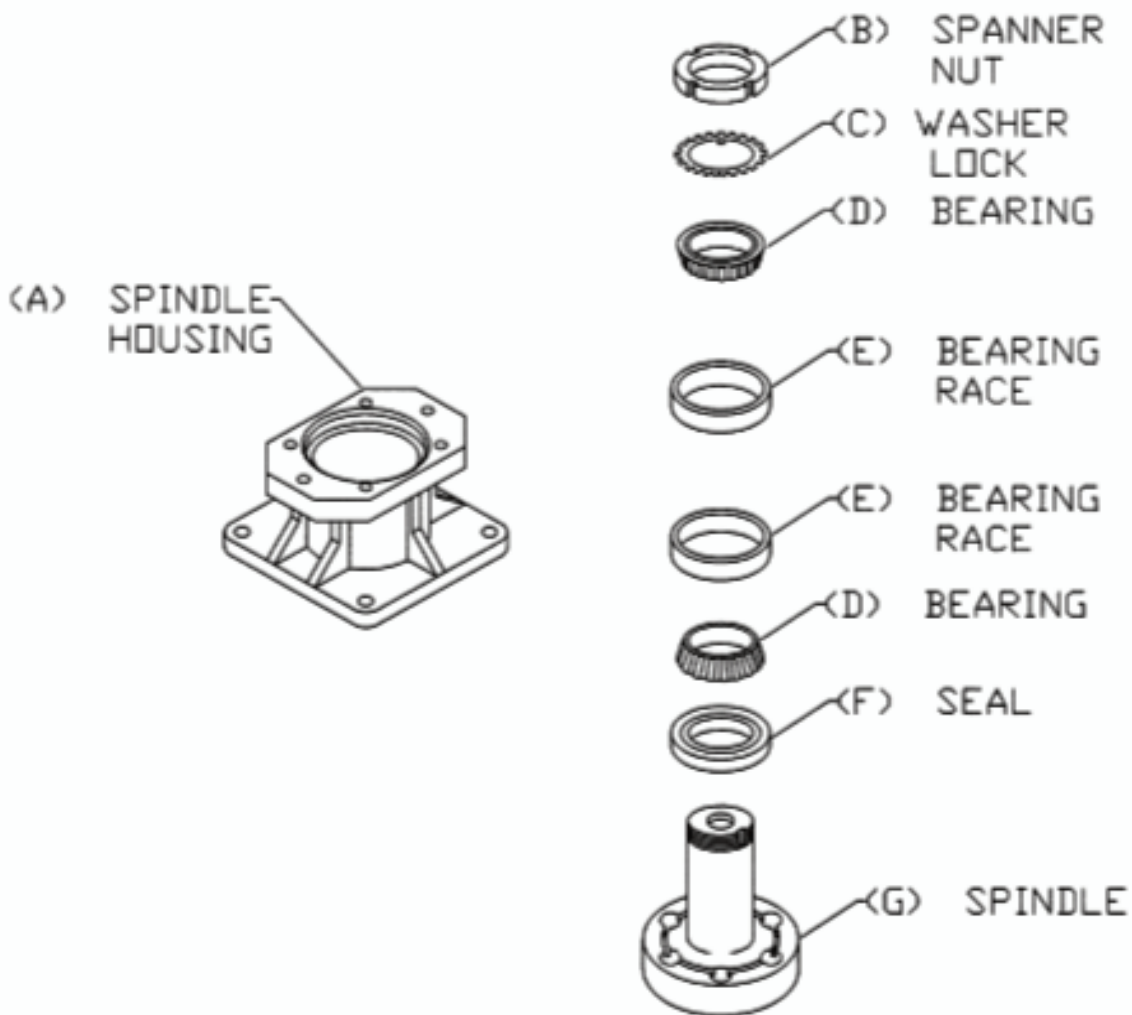
- Front cutting can be accomplished but is not recommended. Due to the limited view of the cutter deck being directly in front of the tractor, it is hard to determine if the cutting deck is level or at the proper height above the ground.

## General

- When cutting in any position it is recommended to not lock the hydraulics in the "on position," as the solenoids are not designed for 100% duty cycle. When operating, the blade will reach full speed almost immediately. You can then use the 3rd function button to turn the power on. When not cutting, release the button while you reposition. When in the cutting position, push the button and the blade will reach full rpm/speed within 1 to 1 1/2 seconds.
- When cutting small, limber branches that won't push the blade guard back, slow down your ground speed and change the angle that you approach the tree. Cut while moving in at a bigger angle.

# REPLACEMENT PARTS

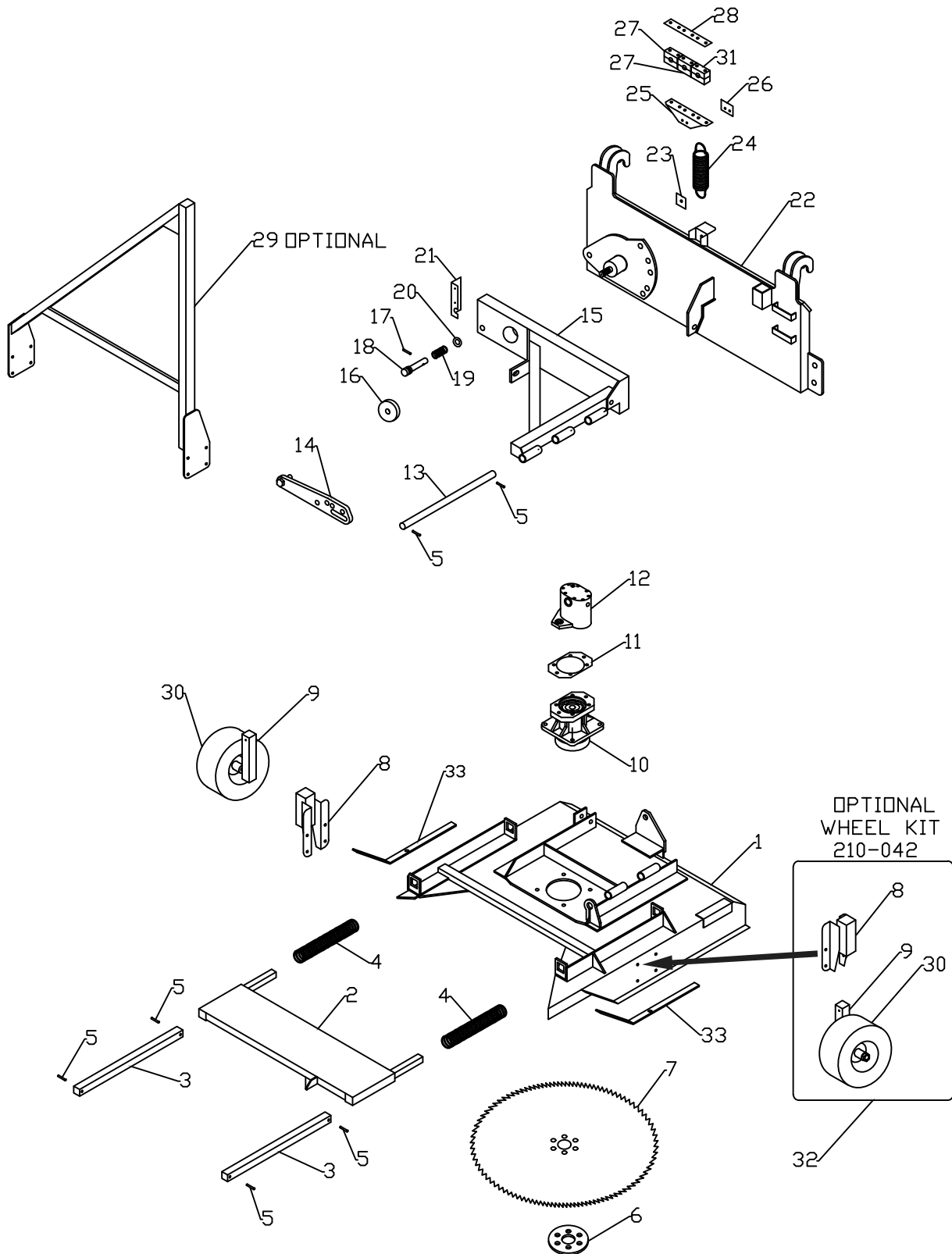
## 210-751 SPINDLE ASSEMBLY PARTS



CONTACT BROWN PRODUCTS AT 800-897-3726 OR  
WWW.BROWNPURCHASE.COM FOR INFORMATION ON  
REPLACEMENT SPINDLE HOUSING PARTS.

# REPLACEMENT PARTS

MPT30-10 and MPT30-15 (30" cut)



# LIMB TREMOR™ PARTS LIST

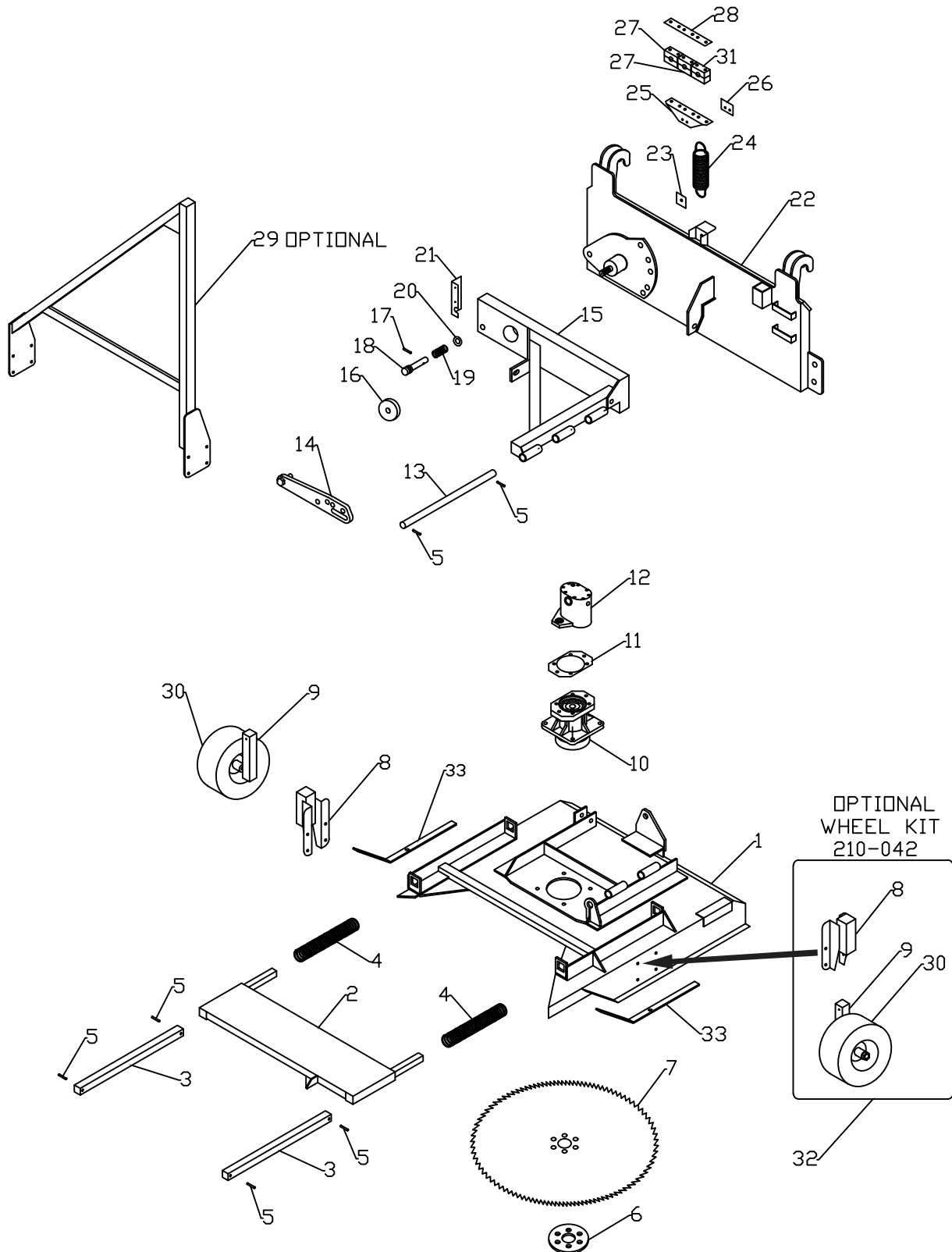
MPT30-10 and MPT30-15 (30" cut)

ITEM NO.	QTY.	PART NO.	DESCRIPTION
1	1	210-031	Deck
2	1	210-008	Sliding Blade Guard
3	2	210-007	Tube, Guard Slide
4	2	210-759	Spring, Sliding Guard
5	6	PRO516S32	Roll Pin, 5/16" x 2"
6	1	210-267	Plate, Blade Retainer
7	1	210-752	Saw Blade, 30"
8	1	210-016	Gauge Wheel Mount
9	1	210-039	Gauge Wheel Stem
10	1	210-751	Spindle Housing
11	1	210-761	Gasket, Hydraulic Motor
12	1	210-753	Hydraulic Motor, 10 GPM
12	1	211-752	Hydraulic Motor, 15 GPM
13	1	210-017	Shaft, Deck Pivot
14	1	210-043	Offset Retaining Bar
15	1	210-013	Pivot Arm
16	1	210-259	Plate, Retaining Washer, Pivot Arm
17	1	PRO316S32	Roll Pin, 3/16" x 2"
18	1	210-033	Pin, Pivot Arm Lock Pin
19	1	210-760	Spring, Pivot Arm Retaining Pin
20	1	WSA1Z	Washer, 1" SAE
21	1	210-270	Plate, Closure Pivot Tube
22	1	210-032	Quick Hitch
23	1	210-284	Lower Washer Plate, Hose Spring Mount
24	1	210-765	Spring, Hose Mount
25	1	210-286	Bracket, Spring Mount
26	1	210-285	Upper Washer Plate, Hose Spring Mount
27	2	210-764	Clamp, Hose, 3/8" hose
28	1	210-287	Strap, Spring Hose Mount Clamp
29	1	210-044	Limb Guard <b>(optional)</b>
30	1	350-758	Wheel
31	1	210-765	Clamp, Hose, 3/4" Hose
32	1	210-042*	Gauge/Float Wheel Kit <b>(optional)</b>
33	2	210-022	Skid, Deck

\* This wheel kit is designed to be mounted on the left side of the Limb Tremor™. It is an optional purchase. (The gauge wheel on the right side of the machine is standard/included with the Limb Tremor™.)

# REPLACEMENT PARTS

MPT40-15 (40" cut)



# LIMB TREMOR™ PARTS LIST

MPT40-15 (40" cut)

ITEM NO.	QTY.	PART NO.	DESCRIPTION
1	1	211-014	Deck
2	1	211-010	Sliding Blade Guard
3	2	211-004	Tube, Guard Slide
4	2	210-759	Spring, Sliding Guard
5	6	PRO516S32	Roll Pin, 5/16" x 2"
6	1	210-267	Plate, Blade Retainer
7	1	211-753	Saw Blade, 40"
8	1	210-016	Gauge Wheel Mount
9	1	210-039	Gauge Wheel Stem
10	1	210-751	Spindle Housing
11	1	210-761	Gasket, Hydraulic Motor
12	1	211-752	Hydraulic Motor, 15 GPM
13	1	211-011	Shaft, Deck Pivot
14	1	210-043	Offset Retaining Bar
15	1	210-013	Pivot Arm
16	1	210-259	Plate, Retaining Washer, Pivot Arm
17	1	PRO316S32	Roll Pin, 3/16" x 2"
18	1	210-033	Pin, Pivot Arm Lock Pin
19	1	210-760	Spring, Pivot Arm Retaining Pin
20	1	WSA1Z	Washer, 1" SAE
21	1	210-270	Plate, Closure Pivot Tube
22	1	210-032	Quick Hitch
23	1	210-284	Lower Washer Plate, Hose Spring Mount
24	1	210-765	Spring, Hose Mount
25	1	210-286	Bracket, Spring Mount
26	1	210-285	Upper Washer Plate, Hose Spring Mount
27	2	210-764	Clamp. Hose, 3/8" hose
28	1	210-287	Strap, Spring Hose Mount Clamp
29	1	211-015	Limb Guard <b>(optional)</b>
30	1	350-758	Wheel
31	1	210-765	Clamp, Hose, 3/4" Hose
32	1	210-042*	Gauge/Float Wheel Kit <b>(optional)</b>
33	2	210-022	Skid, Deck

\* This wheel kit is designed to be mounted on the left side of the Limb Tremor™. It is an optional purchase. (The gauge wheel on the right side of the machine is standard/included with the Limb Tremor™.)

# Notes



**1.800.897.3726**

376 C.R. 563 • MIDLAND CITY, AL 36350 • [www.brownproducts.com](http://www.brownproducts.com)