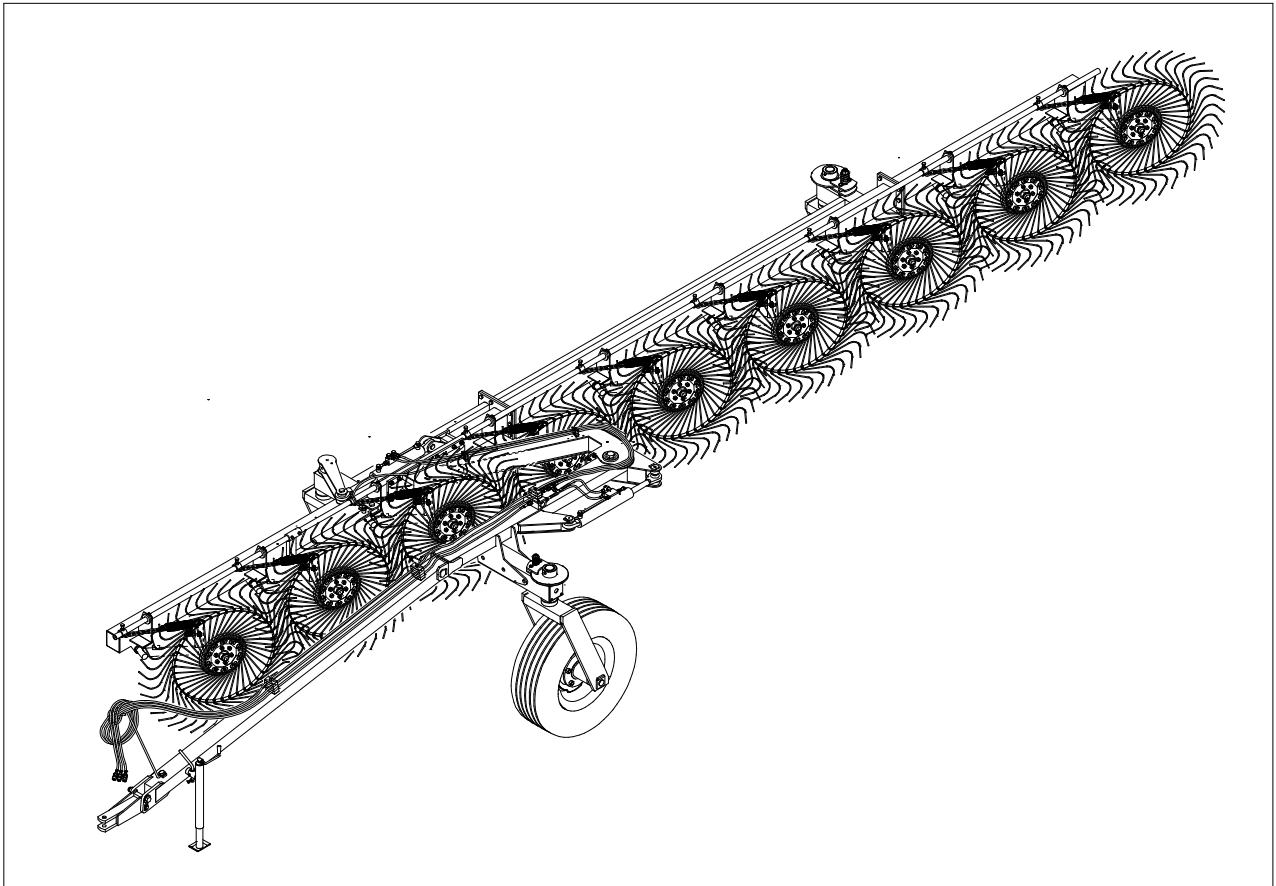


AGRICULTURAL MACHINERY  
**sitrex**®  
Spa

## SPARE PARTS LIST



**TR/6-7-8-9 S**

10-2014 FROM SERIAL NO. 255390

**TABLE  
PART NO  
920.348**

**SEE TABLE  
PART NO  
920.372**

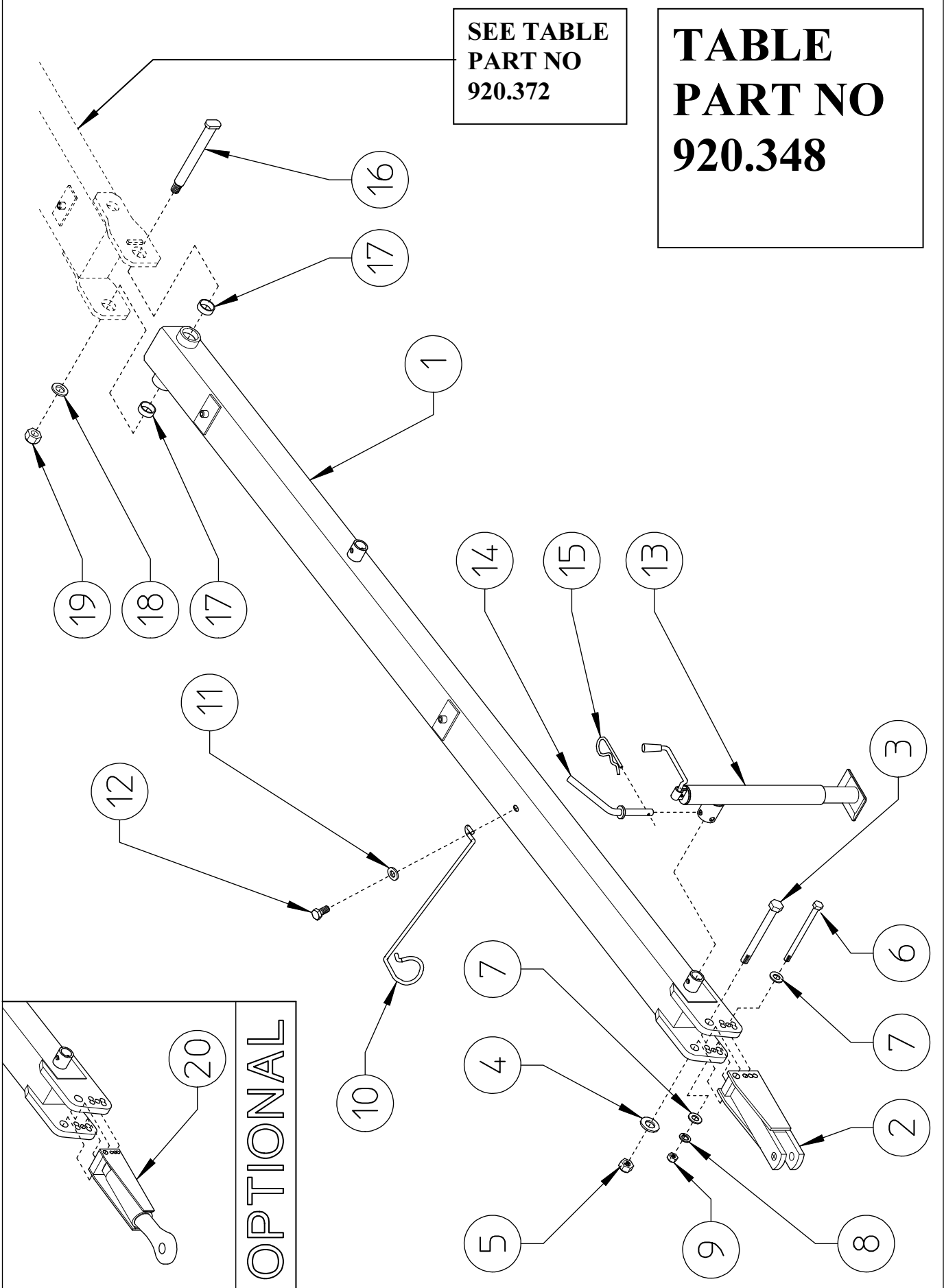
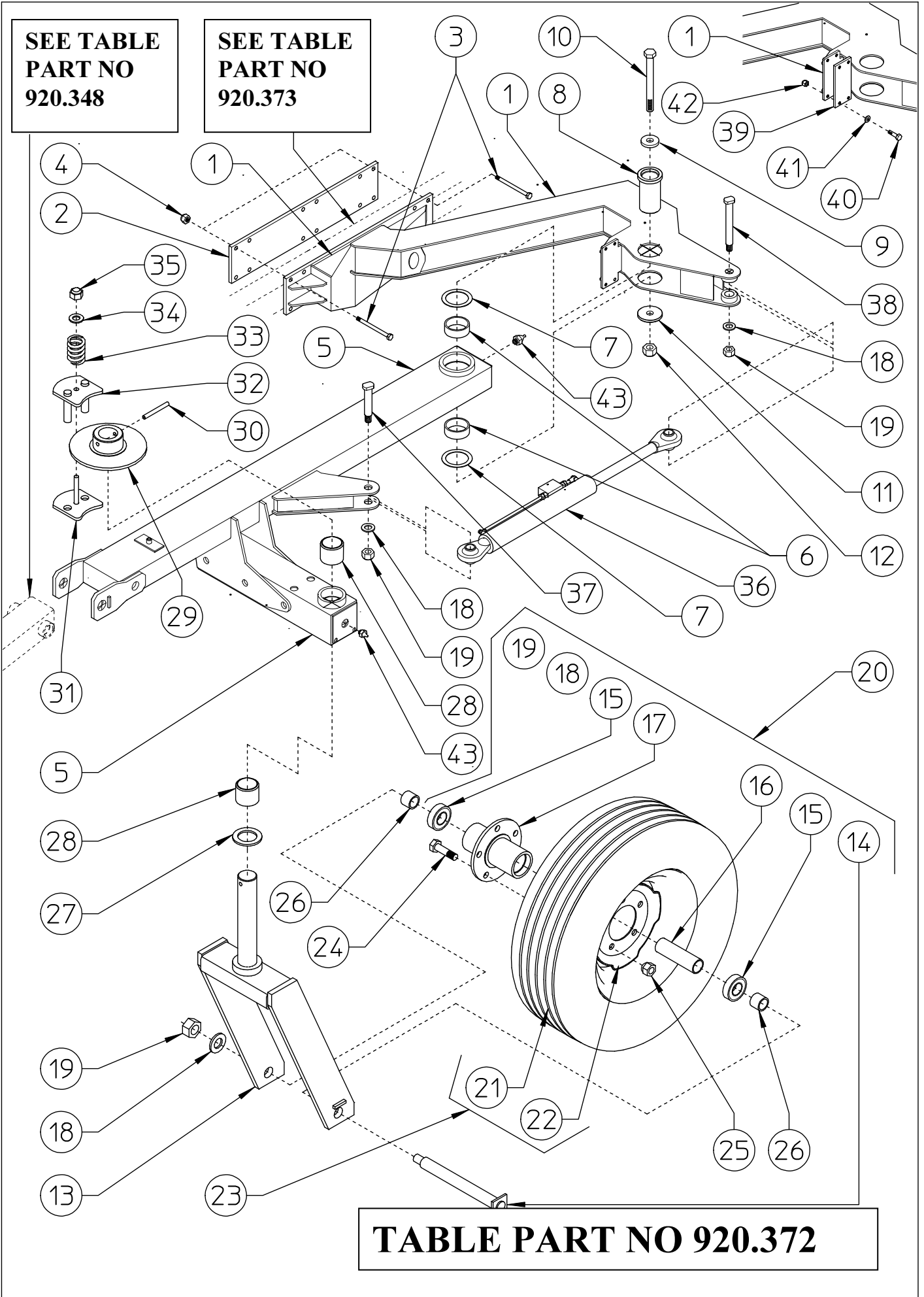


TABLE PART NO 920.348				
ITEM	PART NO	Q.ty	DESCRIPTION	NOTE
1	250.170	1	DRAWBAR	
2	250.301	1	TRACTOR HITCH	STANDARD
3	630.707	1	SCREW M20x140 DIN 931	
4	600.259	1	SPRING WASHER ø21	
5	620.473	1	NUT M20 DIN 985	
6	600.001	1	SCREW M12x140 DIN 931	
7	600.092	2	WASHER ø12-36x2,5	
8	600.018	1	SPRING WASHER ø13	
9	600.366	1	NUT M12 DIN 982	
10	230.574	1	HOSE SUPPORT	
11	500.160	1	WASHER ø12-40x4	
12	600.441	1	SCREW M12x25 DIN 933	
13	220.197	1	PARKING STAND	
14	200.222	1	PIN	
15	600.019	1	SPLIT PIN ø3	
16	250.179	1	PIN	
17	630.955	2	BUSH ø35-39x30	
18	200.165	1	WASHER ø23-50x4	
19	600.079	1	NUT M22 DIN 980	
20	230.818	1	TRACTOR HITCH	OPTIONAL

**SEE TABLE  
PART NO  
920.348**

**SEE TABLE  
PART NO  
920.373**



**TABLE PART NO 920.372**

TABLE PART NO 920.372				
ITEM	PART NO	Q.ty	DESCRIPTION	NOTE
1	250.172	1	SUPPORT	
2	250.180	1	COUNTERPLATE	
3	610.612	12	SCREW M14x140 DIN 931	
4	600.075	12	NUT M14 DIN 980	
5	250.171	1	SUPPORT	
6	230.666	2	BUSH	
7	630.956	2	SHIM ø75-100x1	
8	250.085	1	PIN	
9	230.668	1	WASHER ø25-64x10	
10	630.964	1	SCREW M24x165	
11	230.667	1	WASHER ø25-90x10	
12	620.255	1	NUT M24 DIN 980	
13	210.168	1	SUPPORT WHEEL	
14	210.184	1	PIN	
15	600.609	2	BEARING 6206 2RS	
16	200.140	1	SPACER	
17	200.139	1	HUB	
18	200.165	3	WASHER ø23-50x4	
19	600.079	3	NUT M22 DIN 980	
20	210.169	1	HUB ASSY	
21	600.303	1	TIRE	
22	600.304	1	RIM	
23	600.281	1	COMPLETE WHEEL	
24	600.144	5	SCREW M16x1,5x40 DIN 961	
25	600.289	5	NUT M16x1,5	
26	210.170	2	SPACER	
27	210.179	1	SPACER	
28	200.199	2	BUSH	
29	200.025	1	FLANGE WITH BUSHING	
30	600.033	1	SPRING PIN ø10x80 DIN 1481	
31	210.931	1	BRAKE COUNTERPLATE	
32	200.810	1	BRAKE	
33	200.044	1	SPRING	
34	600.092	1	WASHER ø12-36x2,5	
35	600.077	1	NUT M12 DIN 980	
36	250.192	1	CYLINDER ø50/30x255 WITH VALVE	
37	250.185	1	PIN	
38	250.087	1	PIN	
39	250.181	1	BLOCK	
40	630.009	4	SCREW M8x30 DIN 931	
41	610.185	4	WASHER ø9-21x2 UNI 6593	
42	600.076	4	NUT M8 DIN 980	
43	600.034	2	GREASE NIPPLE M8	

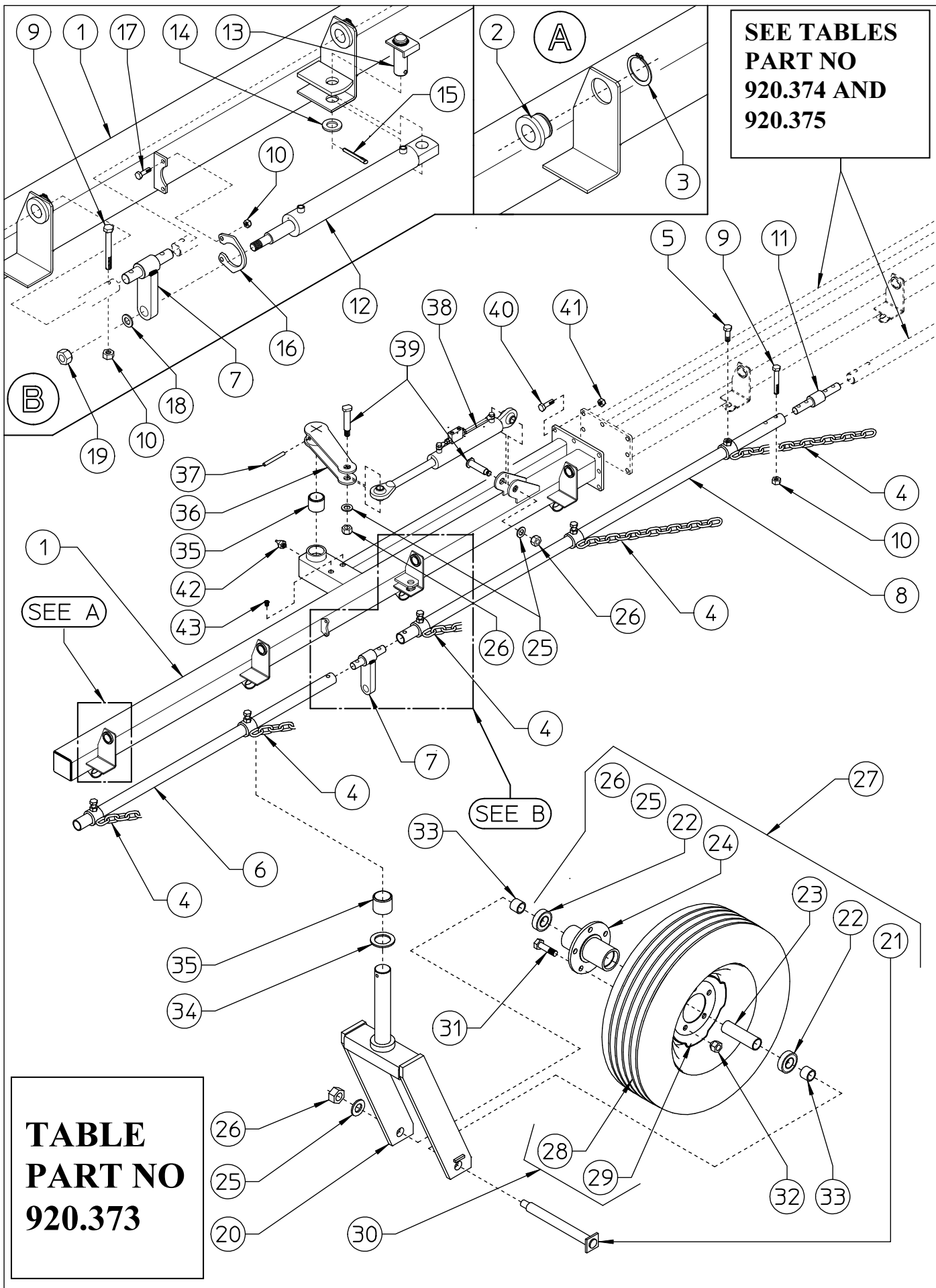


TABLE PART NO 920.373

ITEM	PART NO	Q.ty	DESCRIPTION	NOTE
1	250.446	1	SECTION	
2	250.090	4	BUSH	
3	630.957	4	SEEGER E42 DIN 471	
4	220.356	5	CHAINE BUSH	
5	600.006	5	SCREW M10 x 25 DIN 933	
6	250.076	1	PIPE (L.1430-56,3")	
7	250.082	1	SUPPORT	
8	250.077	1	PIPE (L.2600-102,3")	
9	600.551	4	SCREW M8 X 45 DIN 931 8.8	
10	600.076	6	NUT M 8 DIN 980	
11	230.586	1	PIN	
12	250.066	1	CYLINDER ø50/30x280	
13	230.368	1	PIN	
14	600.336	1	WASHER ø25	
15	600.038	1	SPLIT PIN ø6x35 DIN 94	
16	220.526	1	CYLINDER LOCKING PLATE	
17	600.702	2	SCREW M8 X 25 DIN 931 8.8	
18	600.214	1	SPRING WASHER ø23	
19	600.200	1	NUT M22 DIN 934	
20	210.168	1	SUPPORT WHEEL	
21	210.184	1	PIN	
22	600.609	2	BEARING 6206 2RS	
23	200.140	1	SPACER	
24	200.139	1	HUB	
25	200.165	3	WASHER ø23-50x4	
26	600.079	3	NUT M22 DIN 980	
27	210.169	1	HUB ASSY	
28	600.303	1	TIRE	
29	600.304	1	RIM	
30	600.281	1	COMPLETE WHEEL	
31	600.144	5	SCREW M16x1,5x40	
32	600.289	5	NUT M16x1,5	
33	210.170	2	SPACER	
34	210.179	1	SPACER	
35	200.199	2	BUSH	
36	250.186	1	LEVER	
37	600.033	1	SPRING PIN ø10x80 DIN 1481	
38	250.192	1	CYLINDER ø50/30x255 WITH VALVE	
39	250.185	2	PIN	
40	610.167	8	SCREW M16x45 DIN 933	
41	600.080	8	NUT M16 DIN 980	
42	600.034	1	GREASE NIPPLE	
43	600.854	2	CAP ø25	

**TABLE  
PART NO  
920.374**

TR/7-9

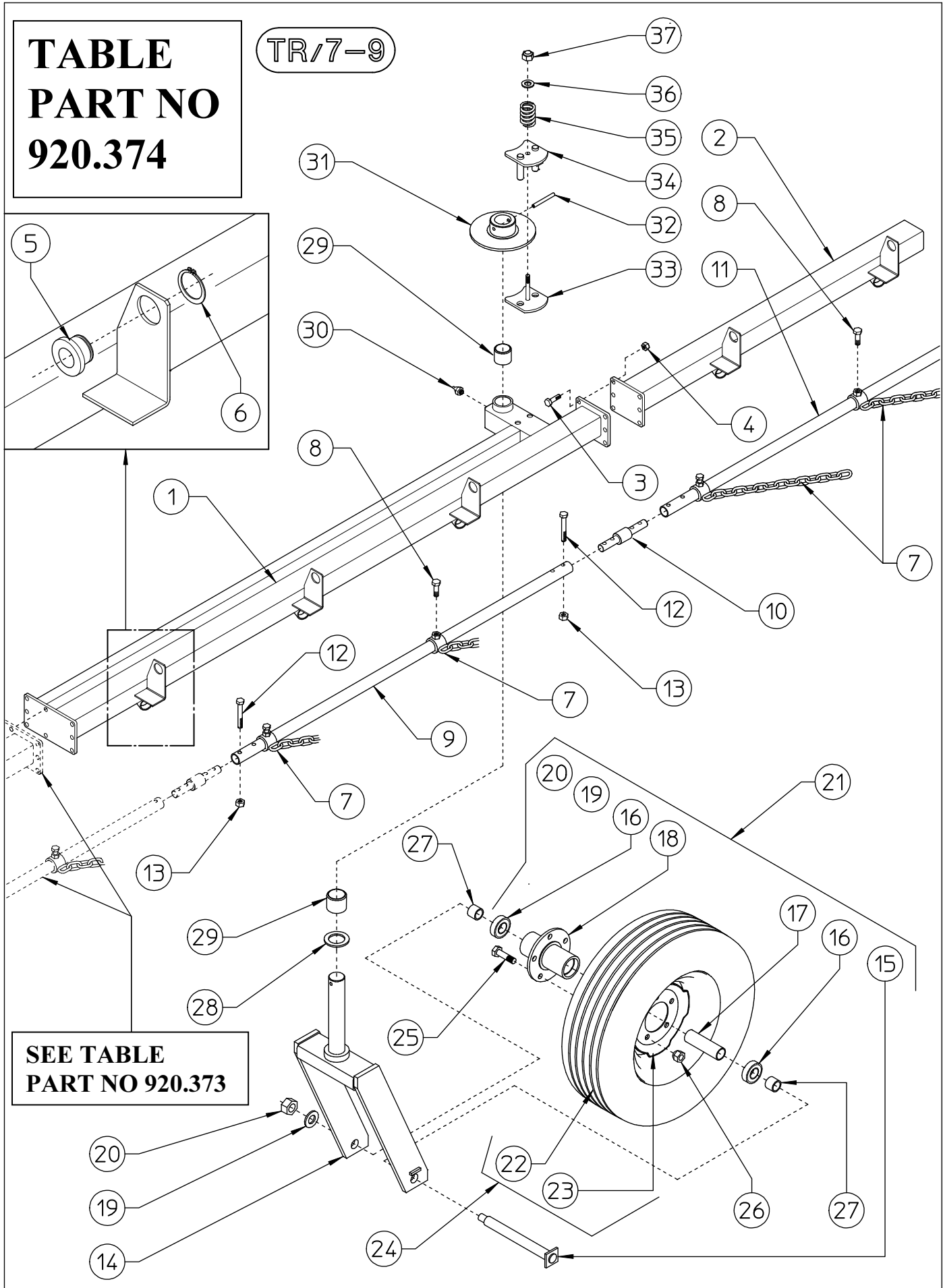
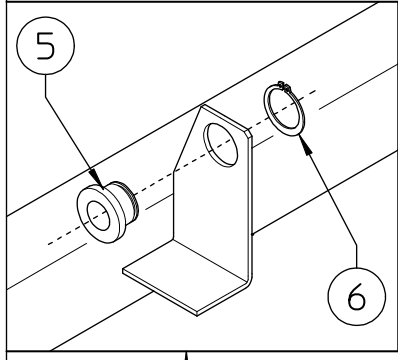
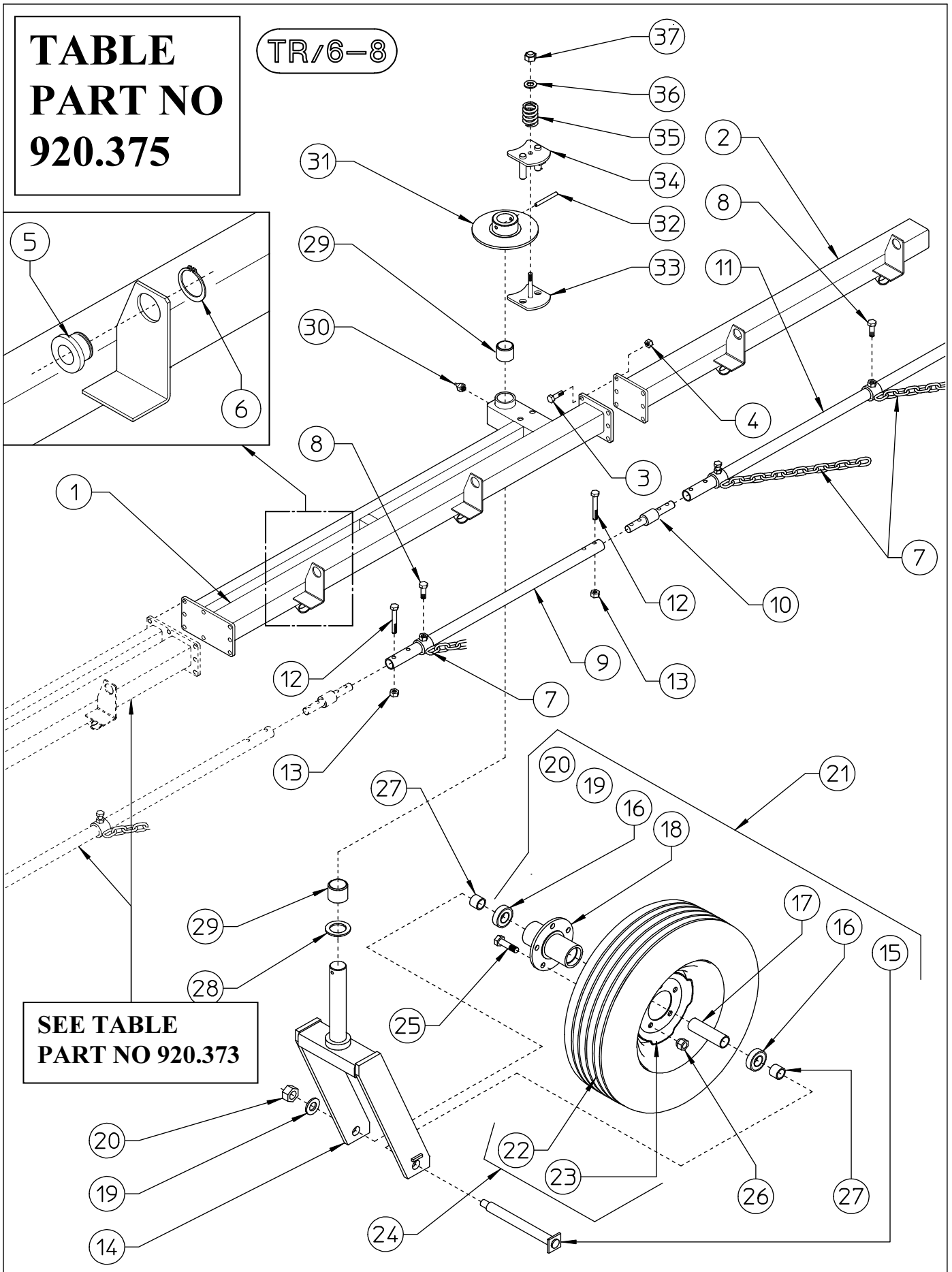
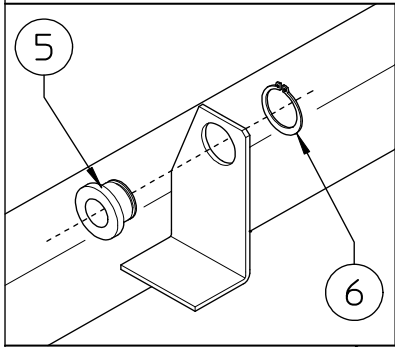




TABLE PART NO 920.374					
ITEM	PART NO	Q.ty TR/9	Q.ty TR/7	DESCRIPTION	NOTE
1	250.447	1	1	SECTION	
2	250.175	1	*	SECTION	
3	610.167	6	*	SCREW M16x45 DIN 933	
4	600.080	6	*	NUT M16 DIN 980	
5	250.090	5	3	BUSH	
6	630.957	5	3	SEEGER E42 DIN 471	
7	220.356	4	2	CHAINE BUSH	
8	600.006	4	2	SCREW M10 x 25 DIN 933	
9	250.176	1	1	PIPE (L.1670 - 65,75")	
10	230.586	1	*	PIN	
11	250.081	1	*	PIPE (L.1575 - 62")	
12	600.551	6	2	SCREW M8 X 45 DIN 931 8.8	
13	600.076	6	2	NUT M 8 DIN 980	
14	210.168	1	1	SUPPORT WHEEL	
15	210.184	1	1	PIN	
16	600.609	2	2	BEARING 6206 2RS	
17	200.140	1	1	SPACER	
18	200.139	1	1	HUB	
19	200.165	1	1	WASHER ø23-50x4	
20	600.079	1	1	NUT M22 DIN 980	
21	210.169	1	1	HUB ASSY	
22	600.303	1	1	TIRE	
23	600.304	1	1	RIM	
24	600.281	1	1	COMPLETE WHEEL	
25	600.144	5	5	SCREW M16x1,5x40	
26	600.289	5	5	NUT M16x1,5	
27	210.170	2	2	SPACER	
28	210.179	1	1	SPACER	
29	200.199	2	2	BUSH	
30	600.034	1	1	GREASE NIPPLE	
31	200.025	1	1	BUSH	
32	600.033	1	1	SPRING PIN ø10x80 DIN 1481	
33	210.931	1	1	BRAKE COUNTER PLATE	
34	200.810	1	1	BRAKE	
35	200.044	1	1	SPRING	
36	600.092	1	1	WASHER ø12-36x2,5	
37	600.077	1	1	NUT M12 DIN 980	

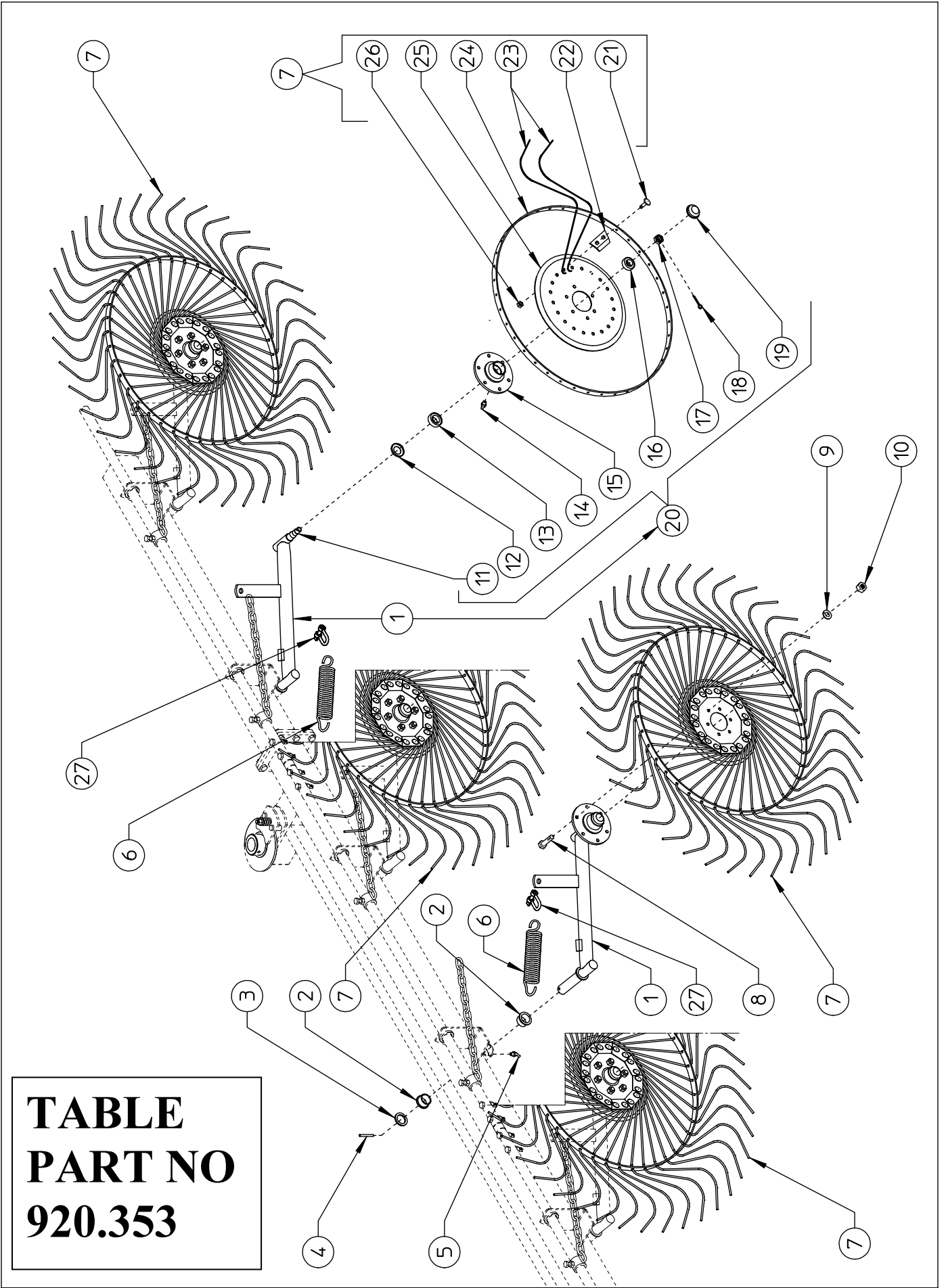
**TABLE  
PART NO  
920.375**

TR/6-8



**SEE TABLE  
PART NO 920.373**

TABLE PART NO 920.375					
ITEM	PART NO	Q.ty TR/8	Q.ty TR/6	DESCRIPTION	NOTE
1	250.448	1	1	SECTION	
2	250.175	1	*	SECTION	
3	610.167	6	*	SCREW M16x45 DIN 933	
4	600.080	6	*	NUT M16 DIN 980	
5	250.090	4	2	BUSH	
6	630.957	4	2	SEEGER E42 DIN 471	
7	220.356	3	2	CHAINE BUSH	
8	600.006	3	2	SCREW M10 x 25 DIN 933	
9	250.177	1	1	PIPE (L.825 - 32,5")	
10	230.586	1	*	PIN	
11	250.081	1	*	PIPE (L.1575 - 62")	
12	600.551	6	2	SCREW M8 X 45 DIN 931 8.8	
13	600.076	6	2	NUT M 8 DIN 980	
14	210.168	1	1	SUPPORT WHEEL	
15	210.184	1	1	PIN	
16	600.609	2	2	BEARING 6206 2RS	
17	200.140	1	1	SPACER	
18	200.139	1	1	HUB	
19	200.165	1	1	WASHER ø23-50x4	
20	600.079	1	1	NUT M22 DIN 980	
21	210.169	1	1	HUB ASSY	
22	600.303	1	1	TIRE	
23	600.304	1	1	RIM	
24	600.281	1	1	COMPLETE WHEEL	
25	600.144	5	5	SCREW M16x1,5x40	
26	600.289	5	5	NUT M16x1,5	
27	210.170	2	2	SPACER	
28	210.179	1	1	SPACER	
29	200.199	2	2	BUSH	
30	600.034	1	1	GREASE NIPPLE	
31	200.025	1	1	BUSH	
32	600.033	1	1	SPRING PIN ø10x80 DIN 1481	
33	210.931	1	1	BRAKE COUNTER PLATE	
34	200.810	1	1	BRAKE	
35	200.044	1	1	SPRING	
36	600.092	1	1	WASHER ø12-36x2,5	
37	600.077	1	1	NUT M12 DIN 980	



**TABLE  
PART NO  
920.353**

TABLE PART NO 920.353									
ITEM	DESCRIPTION	TR/6		TR/7		TR/8		TR/9	
		PART NO	Q.ty	PART NO	Q.ty	PART NO	Q.ty	PART NO	Q.ty
1	ARM	200.008	6	200.008	7	200.008	8	200.008	9
2	BUSH	200.029	12	200.029	14	200.029	16	200.029	18
3	WASHER ø35-50	200.028	6	200.028	7	200.028	8	200.028	9
4	SPRING PIN ø8x50 DIN 1481	600.027	6	600.027	7	600.027	8	600.027	9
5	GREASE NIPPLE M6x45°	600.968	6	600.968	7	600.968	8	600.968	9
6	SPRING	200.046	6	200.046	7	200.046	8	200.046	9
7	FINGER WHEEL ASSY	210.180	6	210.180	7	210.180	8	210.180	9
8	SCREW M10x25 DIN 933	600.006	36	600.006	42	600.006	48	600.006	54
9	SPRING WASHER ø10,5	600.024	36	600.024	42	600.024	48	600.024	54
10	NUT M10 DIN 934	600.010	36	600.010	42	600.010	48	600.010	54
11	PIN	205.277	6	205.277	7	205.277	8	205.277	9
12	DUST COVER	600.011	6	600.011	7	600.011	8	600.011	9
13	BEARING 30205	600.012	6	600.012	7	600.012	8	600.012	9
14	GREASE NIPPLE M8	600.034	6	600.034	7	600.034	8	600.034	9
15	HUB	600.013	6	600.013	7	600.013	8	600.013	9
16	BEARING 30204	600.014	6	600.014	7	600.014	8	600.014	9
17	CASTLE NUT M18x1,5	600.015	6	600.015	7	600.015	8	600.015	9
18	SPLIT PIN ø3x30 DIN 94	600.301	6	600.301	7	600.301	8	600.301	9
19	CAP	600.016	6	600.016	7	600.016	8	600.016	9
20	HUB ASSY	205.041	6	205.041	7	205.041	8	205.041	9
21	SCREW M10x25 DIN 603	600.005	120	600.005	140	600.005	160	600.005	180
22	TINE CLAMP	200.012	60	200.012	70	200.012	80	200.012	90
23	TINE ø7	210.621	240	210.621	280	210.621	320	210.621	360
24	RIM	200.009	6	200.009	7	200.009	8	200.009	9
25	FLANGE	200.010	6	200.010	7	200.010	8	200.010	9
26	NUT M10 DIN 980	600.029	120	600.029	140	600.029	160	600.029	180
27	U BOLT	610.317	6	610.317	7	610.317	8	610.317	9

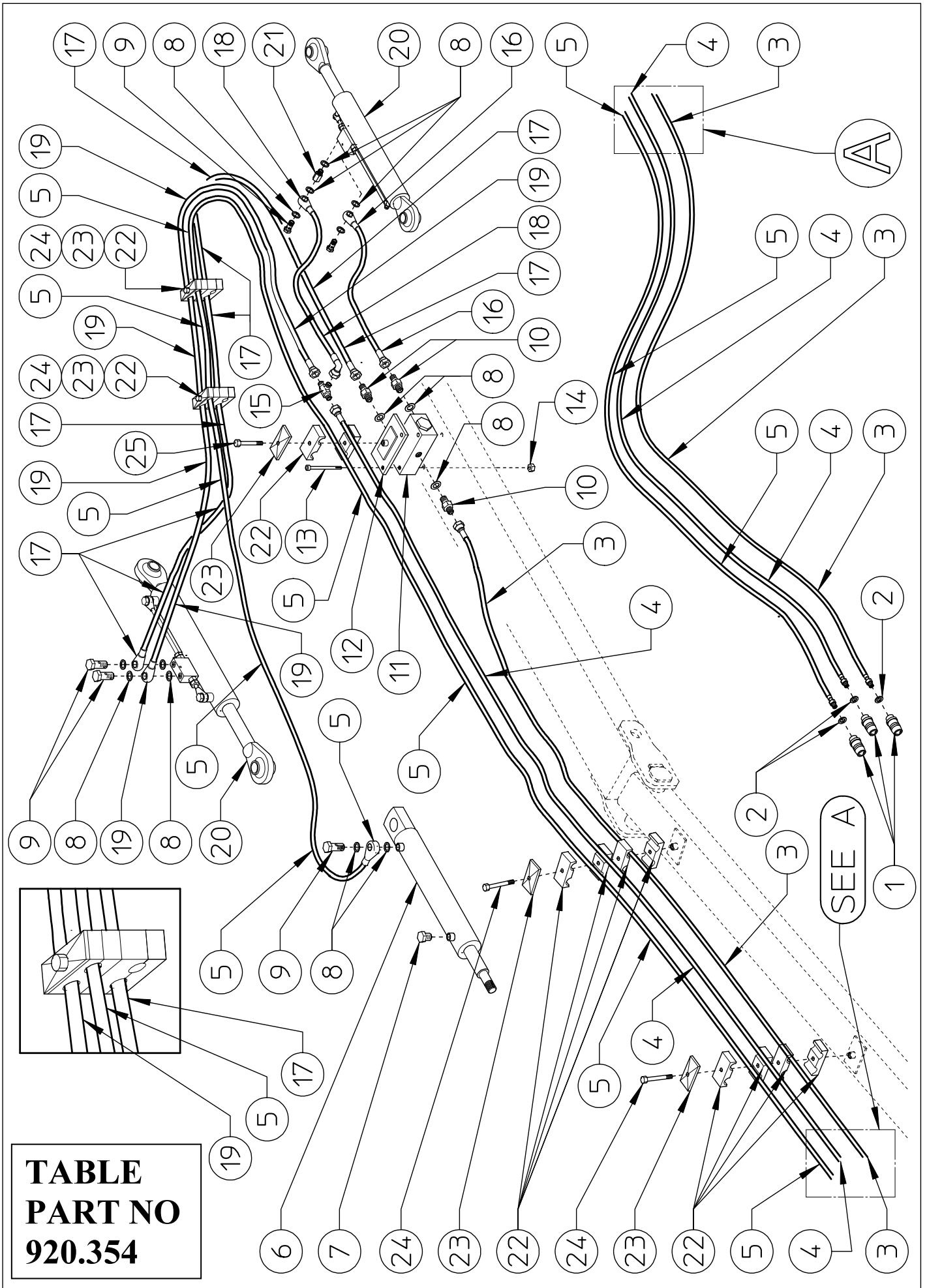
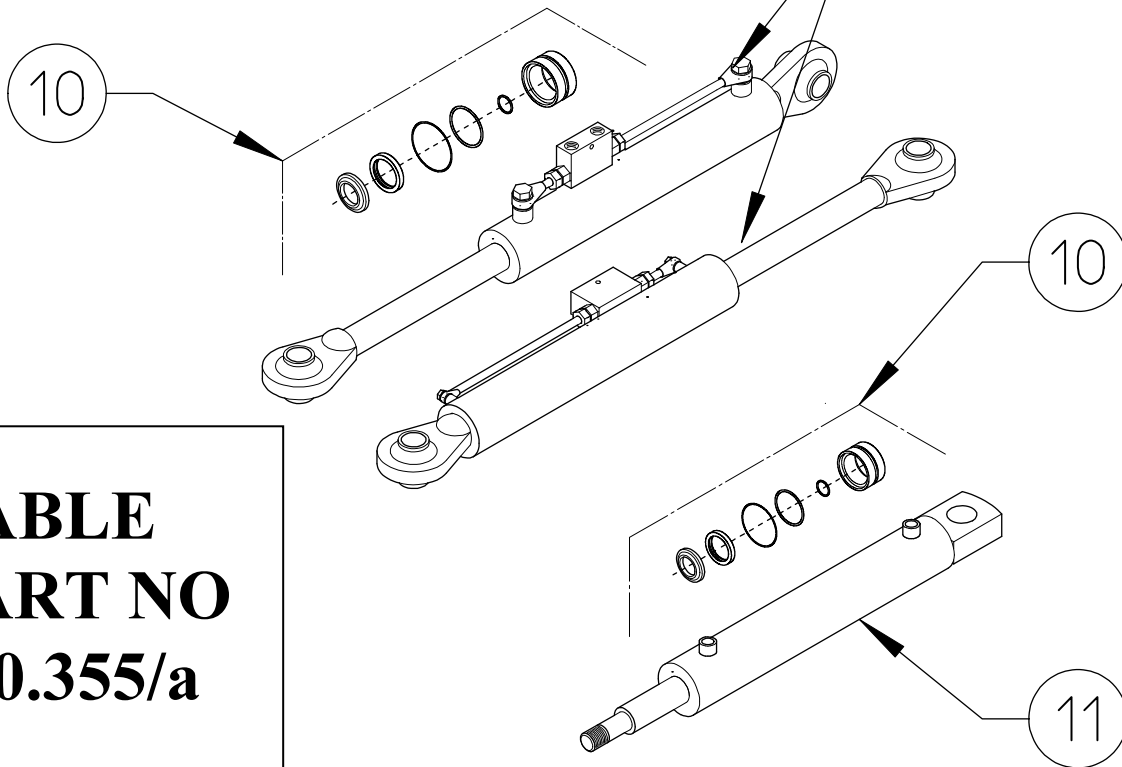
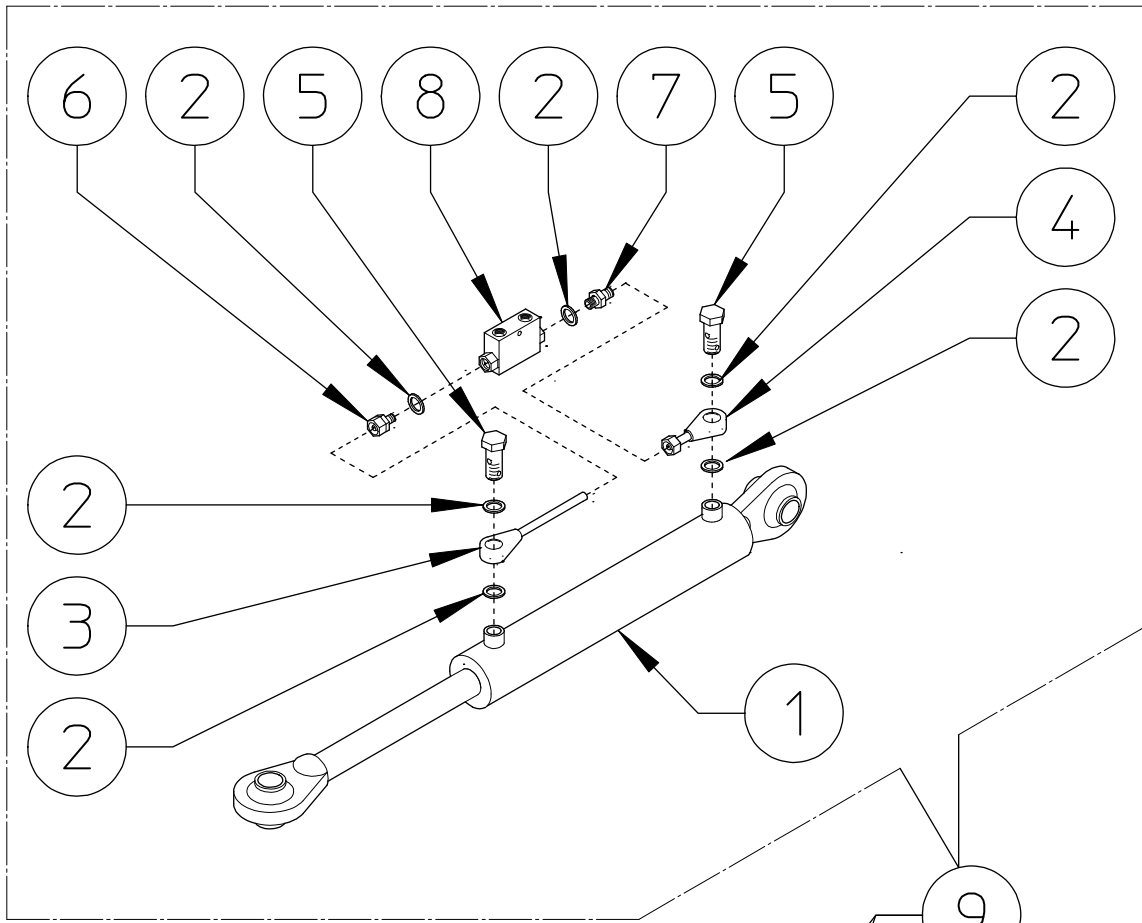


TABLE PART NO 920.354

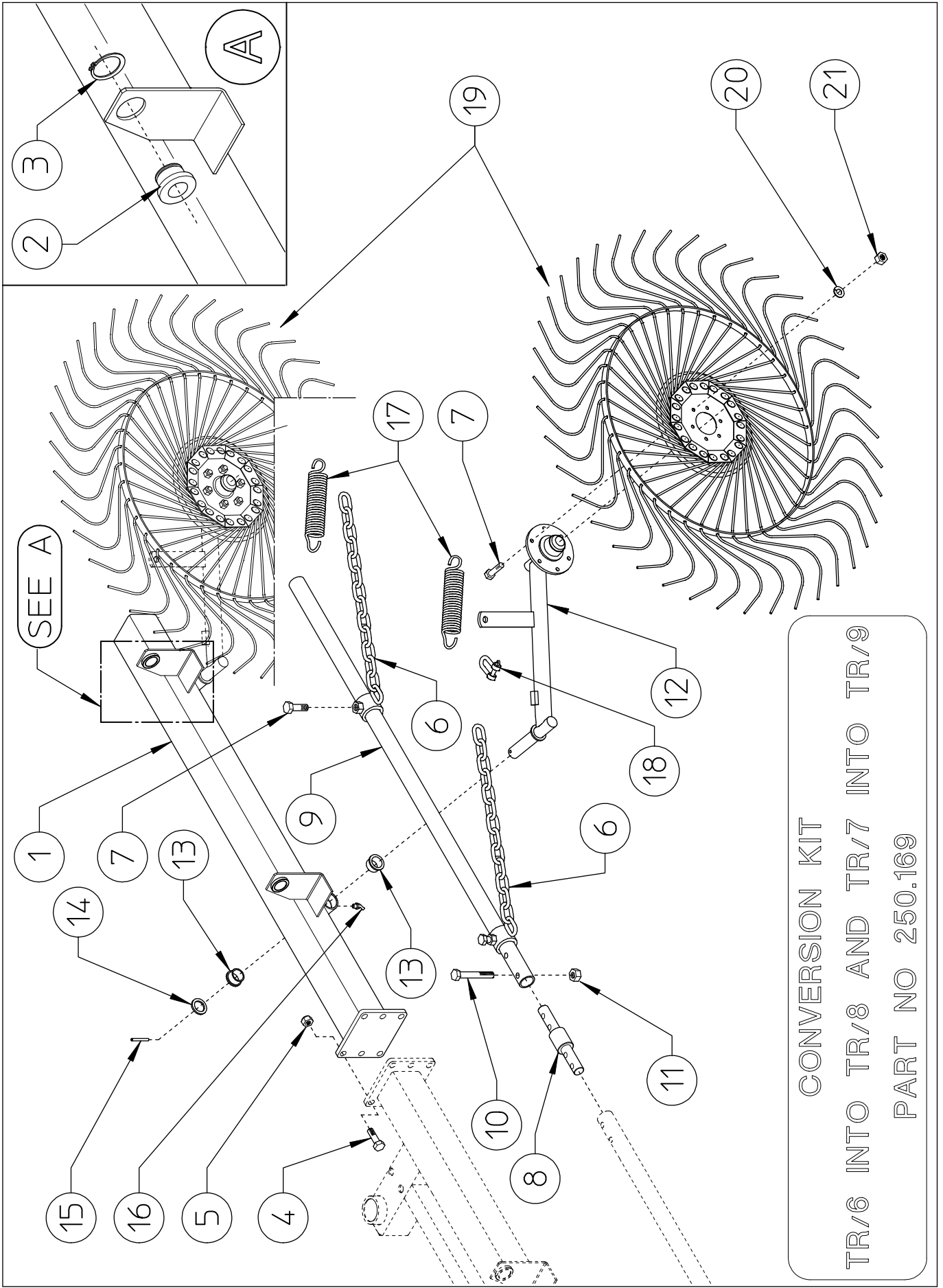
ITEM	PART NO	Q.ty	DESCRIPTION	NOTE
1	600.273	3	RAPID COUPLING 1/2"	
2	630.048	3	COPPER WASHER 1/2"	
3	640.068	1	HOSE SAE 100R2AT 1/4" L.5200-205" MD 1/2" - FD 1/4"	
4	640.067	1	HOSE SAE 100R2AT 1/4" L.5350-211" MD 1/2" - FD 1/4"	
5	640.069	1	HOSE SAE 100R2AT 1/4" L.8100-323" MD 1/2" - O. 3/8"	
6	250.066	1	CYLINDER ø50/30x280	
7	620.012	1	CAP 3/8"	
8	620.452	14	COPPER WASHER 3/8"	
9	600.040	5	FITTING SCREW 3/8"	
10	600.883	3	NIPPLE 3/8"-1/4"	
11	600.974	1	FLOW DIVIDER	
12	210.330	1	HOSE SUPPORT	
13	640.021	2	SCREW M6x140 DIN 931	
14	600.472	2	NUT M6 DIN 980	
15	600.823	1	"T" FITTING MALE 1/4"	
16	640.070	1	HOSE SAE 100R2AT 1/4" L.460-182 FD 1/4" - O. 3/8"	
17	640.071	1	HOSE SAE 100R2AT 1/4" L.2450-97" FD 1/4" - O. 3/8"	
18	640.072	1	HOSE SAE 100R2AT 1/4" L.420-17" F90° 1/4" - O. 3/8"	
19	640.073	1	HOSE SAE 100R2AT 1/4" L.2350-93" FD 1/4" - O. 3/8"	
20	250.192	2	CYLINDER ø50/30x255 WITH VALVE	
21	632.013	1	FITTING MALE-FEMALE 3/8"	
22	630.457	18	DOUBLE HOSE COLLAR ø16	
23	610.164	5	PLATE	
24	610.525	4	SCREW M8x60 DIN 931	
25	610.165	1	SCREW M8x35 DIN 933	



**TABLE  
PART NO  
920.355/a**

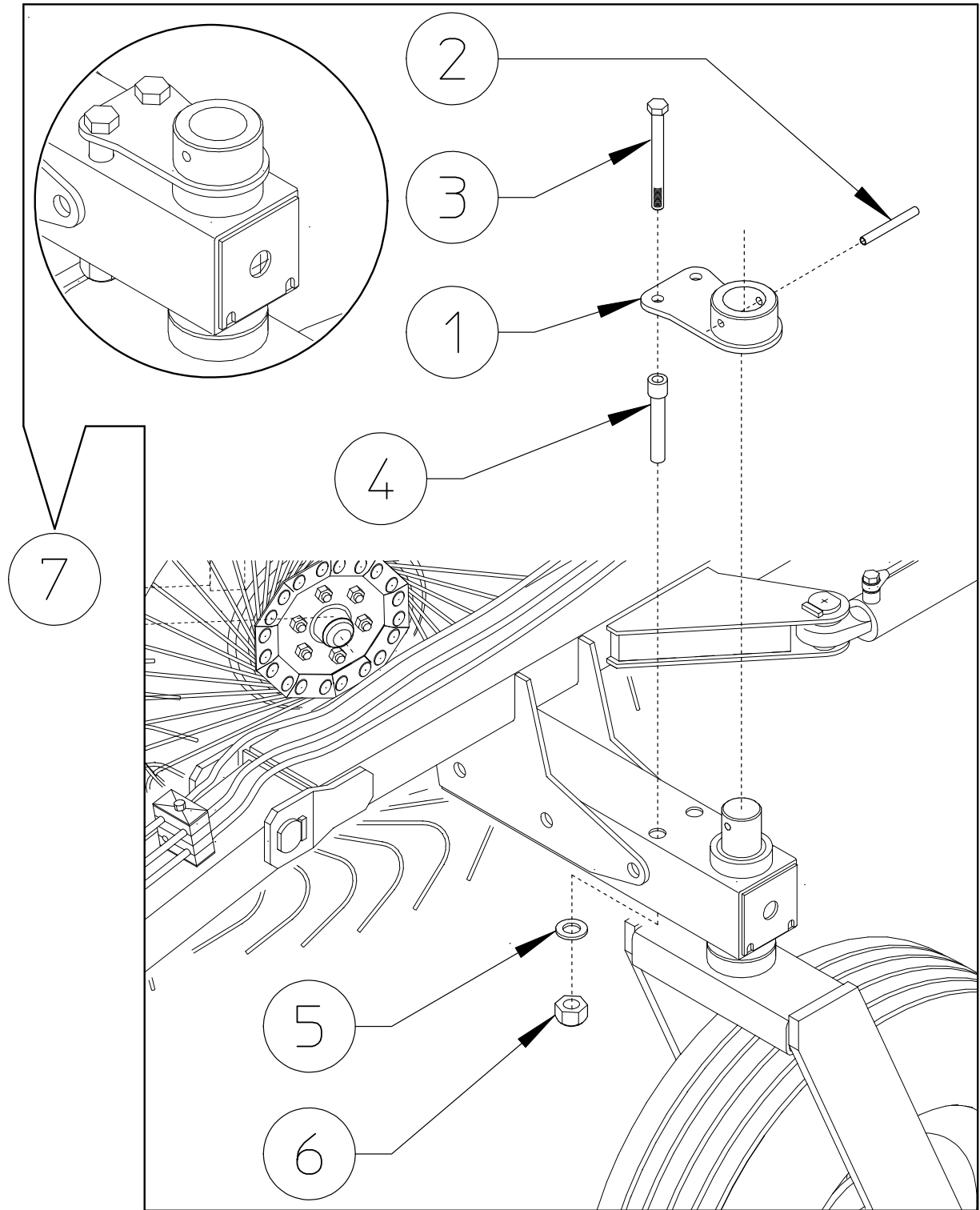


TABLE PART NO 920.355/a				
ITEM	PART NO	Q.ty	DESCRIPTION	NOTE
1	250.184	2	CYLINDER ø50/30x255	
2	620.452	12	COPPER WASHER 3/8"	
3	250.360	2	TUBE ø12	
4	630.315	2	FITTING 3/8"	
5	600.040	4	FITTING SCREW 3/8"	
6	610.469	2	FITTING 3/8"	
7	600.270	2	NIPPLE 3/8" - 3/8"	
8	600.799	2	LOCK VALVE 3/8"	
9	250.192	2	CYLINDER ø50/30x255 WITH VALVE	
10	640.027	3	SET OF GASKET	
11	250.066	1	CYLINDER ø50/30x280	

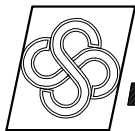


CONVERSION KIT TR/6 INTO TR/8 AN TR/7 INTO TR/9 PART NO 250.169				
ITEM	DESCRIPTION	PART NO	Q.ty	NOTE
1	SECTION	250.175	6	
2	BUSH	250.090	2	
3	SEEGER E 42 DIN 471	630.957	2	
4	SCREW M16x45 DIN 933	610.167	6	
5	NUT M16 DIN 980	600.080	6	
6	CHAINE BUSH	220.356	2	
7	SCREW M10x25 DIN 933	600.006	14	
8	PIN	230.586	1	
9	TUBE (L.1575 - 62")	250.081	1	
10	SCREW M8x45 DIN 931	600.551	4	
11	NUT M8 DIN 980	600.076	4	
12	ARM	200.008	2	
13	BUSH	200.029	4	
14	WASHER ø35-50	200.028	2	
15	SPRING PIN ø8x50 DIN 1481	600.027	2	
16	GREASE NIPPLE M6x45°	600.968	2	
17	SPRING	200.046	2	
18	U BOLT	610.317	2	
19	FINGER WHEEL ASSY	210.180	2	
20	SPRING WASHER ø10,5	600.024	12	
21	NUT M10 DIN 934	600.010	12	

# WHEEL LOCK KIT (OPTIONAL) PART NO 250.449



ITEM	PART NO	Q.ty	DESCRIPTION	NOTE
1	250.182	1	LOCK	
2	600.033	1	SPRING PIN $\varnothing$ 10x80 DIN 1481	
3	600.807	2	SCREW M12x160 DIN 931 8.8	
4	250.183	2	BUSH $\varnothing$ 21-30 x 134	
5	600.092	2	WASHER $\varnothing$ 12-36x2,5	
6	600.077	2	NUT M12 DIN 980	
7	250.449	1	WHEEL LOCK KIT	OPTIONAL



**sitrex** AGRICULTURAL MACHINERY SpA .

Zona Industriale-Viale Grecia, 8  
06018 TRESTINA-(Perugia)-ITALY  
Tel. +39.075.8540021-Telefax +39.075.8540523  
e-mail: [sitrex@sitrex.it](mailto:sitrex@sitrex.it) [www.sitrex.com](http://www.sitrex.com)

