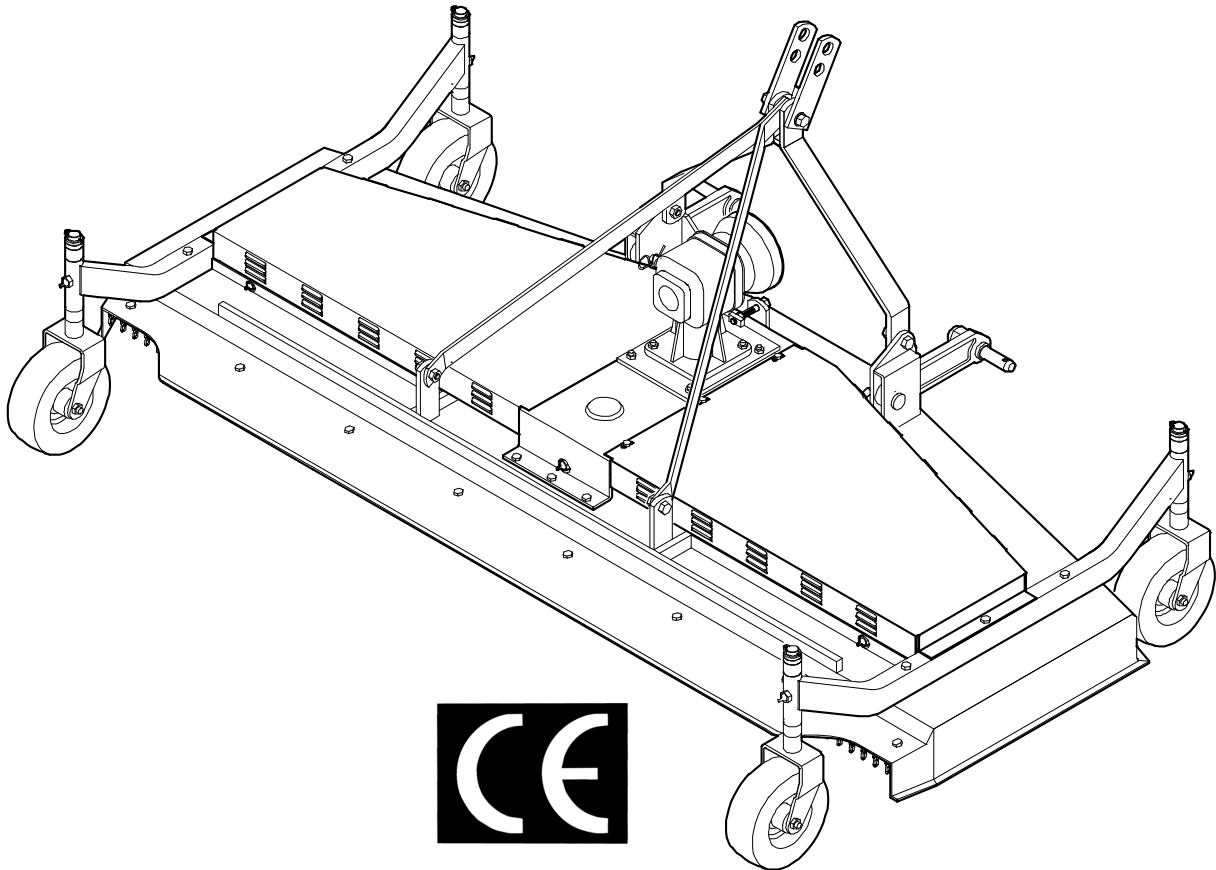


AGRICULTURAL MACHINERY

sitrex®
Spa

ASSEMBLY, USE AND MAINTENANCE SPARE PARTS LIST



FINISHING MOWERS

SM/230

09/09

WARRANTY

On delivery, check that the machine has not been damaged during transport and that all the attachments are present. Claims must be made in writing to the agent within 8 days of receipt.

The manufacturer warrants new machinery at the time of delivery to the original purchaser to be free from defects in material and workmanship if properly set up and operated in accordance with this Operator's Manual.

The manufacturer undertakes to repair or replace free of charge any defective part which should be returned by the purchaser (freight prepaid) and found to be defective by inspection authorized by the manufacturer during the warranty period.

This warranty will be valid for 12 (twelve) months from the delivery of goods to the original purchaser .

In case the customer is not in a position to return the defective part to the manufacturer , the manufacturer cannot be held responsible for any cost due for repair or replacement of any part of the machine , he will only supply the part(s) required for the repair and/or replacement.

The warranty is null and void when it is evident that the machine has been improperly used or however repaired without authorization.

The manufacturer undertakes no responsibility for any obligation or agreement reached by any employers, agents or dealers, which are not in compliance with the above warranty . The manufacturer cannot be held responsible for the consequent damages. This warranty substitutes any other warranty , express or implied , and any other manufacturer's obligation.

NOTE:

ALL WARRANTY WORK OR REPAIRS MUST BE APPROVED BY THE MANUFACTURER BEFORE WORK BEGIN.
ANY WORK OR REPAIRS MADE BEFORE APPROVAL MAY NOT BE COVERED UNDER WARRANTY.
PLEASE NOTIFY YOUR SALES & SERVICE DEPARTMENT OF THIS POLICY.

CHAPTER

- 1) **GUIDE TO THE SIGNS**
- 2) **General summary of safety and accident-prevention instructions**
- 3) **PRODUCT IDENTIFICATION**
- 4) **DELIVERY AND ASSEMBLY**
- 5) **ADJUSTMENT, PREPARATION AND USE**
- 6) **MAINTENANCE DIRECTIONS**
- 7) **SPARE PARTS LIST**

TABLE PART NO 910.065

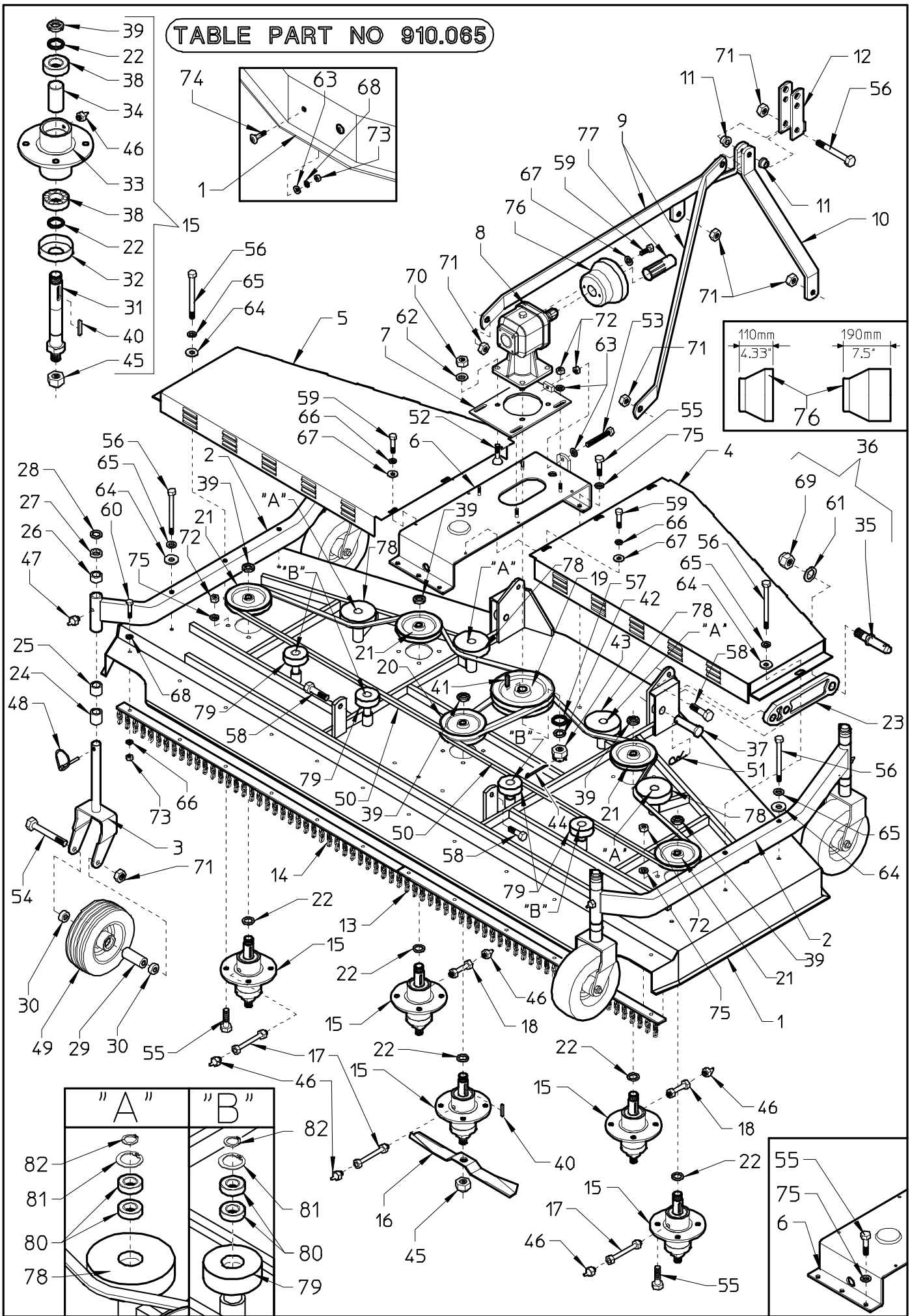


TABLE PART NO 910.065

ITEM	Q.ty	PART NO	DESCRIPTION	NOTE
1	1	110.062	COMPLETE HOOD	
2	2	110.070	WHEEL AXLE	
3	4	100.147	WHEEL SUPPORT	
4	1	100.136	BELT COVER, RH	
5	1	100.137	BELT COVER, LH	
6	1	100.135	GEARBOX SUPPORT	
7	1	100.126	SLIDING	
8	1	100.273	** GEARBOX	
9	2	100.037	TIE ROD	
10	1	100.038	3rd POINT HITCH	
11	2	100.062	SPACER	
12	1	100.041	HITCH	
13	1	110.066	RH PROTECTION	
14	1	110.067	LH PROTECTION	
15	5	100.047	COMPLETE HUB	
16	5	100.065	BLADE	
17	3	100.148	GREASE FITTING	
18	2	100.125	GREASE FITTING	
19	1	100.138	PULLEY 242 2B	
20	1	100.139	PULLEY 140 2B	
21	4	100.140	PULLEY 140 1B	
22	12	100.050	SHIM	
23	2	100.039	PIN LEVER	
24	4	100.145	SHIM $\phi 1.2'' \times 1,26''$ ($\phi 30,5 \times 32$ mm)	
25	4	100.144	SHIM $\phi 1,2'' \times 1''$ ($\phi 30,5 \times 25$ mm)	
26	4	100.143	SHIM $\phi 1,2'' \times 0,47''$ ($\phi 30,5 \times 12$ mm)	
27	4	100.142	SHIM $\phi 1,2'' \times 0,24''$ ($\phi 30,5 \times 6$ mm)	
28	4	100.141	SHIM $\phi 1,2'' \times 0,08''$ ($\phi 30,5 \times 2$ mm)	
29	4	100.008	SPACER	
30	8	100.006	SHIM	
31	5	100.051	PIN	
32	5	100.052	BEARING COVER	
33	5	100.150	HUB	
34	5	100.048	SPACER	
35	2	105.091	PIN	
36	2	100.010	COMPLETE PIN	
37	2	100.040	PIN	
38	10	600.117	BEARING 6205 Z	
39	5	600.122	LOCKING RING NUT M25x1,5	
40	5	600.123	LATCH B8x7x35	
41	1	600.181	LATCH B10x8x40	

** STANDARD GEARBOX: 540 RPM COUNTER CLOCK WISE

TABLE PART NO 910.065

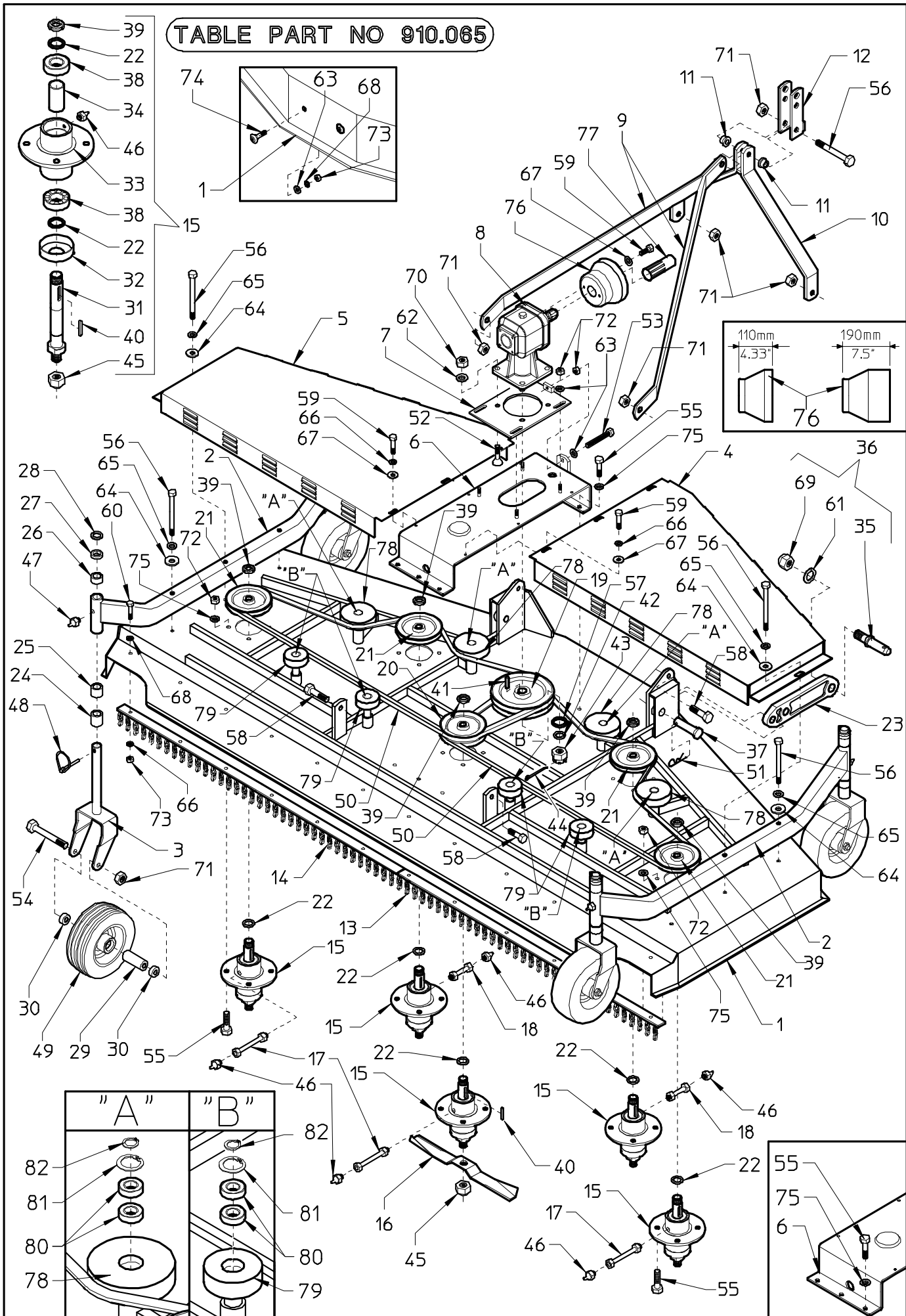


TABLE PART NO 910.065				
ITEM	Q.ty	PART NO	DESCRIPTION	NOTE
42	1	600.335	WASHER ϕ 25	
43	1	600.296	NUT M24x2	
44	1	600.347	SPLIT PIN ϕ 5x50	
45	5	600.746	NUT M18x1,5	
46	5	600.034	GREASE NIPPLE M8	
47	4	600.124	GREASE NIPPLE M6	
48	4	600.116	LINCH PIN ϕ 8	
49	4	600.165	WHEEL	
50	2	620.647	BELT XPB 2800	
51	2	600.019	CLIP ϕ 3	
52	4	600.158	SCREW (M14x40)	
53	1	600.160	SCREW (M10x80)	
54	4	600.156	SCREW (M12x110)	
55	26	600.006	SCREW (M10x25)	
56	7	600.152	SCREW (M12x90)	
57	1	100.042	SHIM (ϕ 1" x 0,08" - ϕ 25,4x2 mm)	
58	4	600.616	SCREW (M12x35)	
59	8	600.061	SCREW (M8x16)	
60	12	600.702	SCREW (M8x25)	
61	2	600.214	SPRING WASHER ϕ 23	
62	4	600.104	SPRING WASHER ϕ 14,5	
63	7	600.322	WASHER ϕ 10,5	
64	6	600.092	LARGE WASHER ϕ 12/36	
65	6	600.634	SPRING WASHER ϕ 13	
66	18	600.100	SPRING WASHER ϕ 8,5	
67	8	610.185	LARGE WASHER ϕ 8,5	
68	14	600.115	WASHER ϕ 8,5	
69	2	600.249	NUT (M22x1,5)	
70	4	600.075	NUT (M14)	
71	9	600.077	NUT (M12)	
72	25	600.010	NUT (M10)	
73	14	600.037	NUT (M8)	
74	2	610.661	SCREW (M8x20)	
75	26	600.102	SPRING WASHER ϕ 10,5	
76	1	600.171	CAP L.110	
76	1	600.818	CAP L.190	
77	1	600.172	PROTECTION	
78	4	100.132	BELT TIGHTENER ϕ 148	
79	4	100.133	BELT TIGHTENER ϕ 64	
80	16	600.872	BEARING 6004 2RS	
81	8	600.885	SNAP RING I 42	
82	8	600.600	SNAP RING E 20	

FRONT FINISHING MOWERS

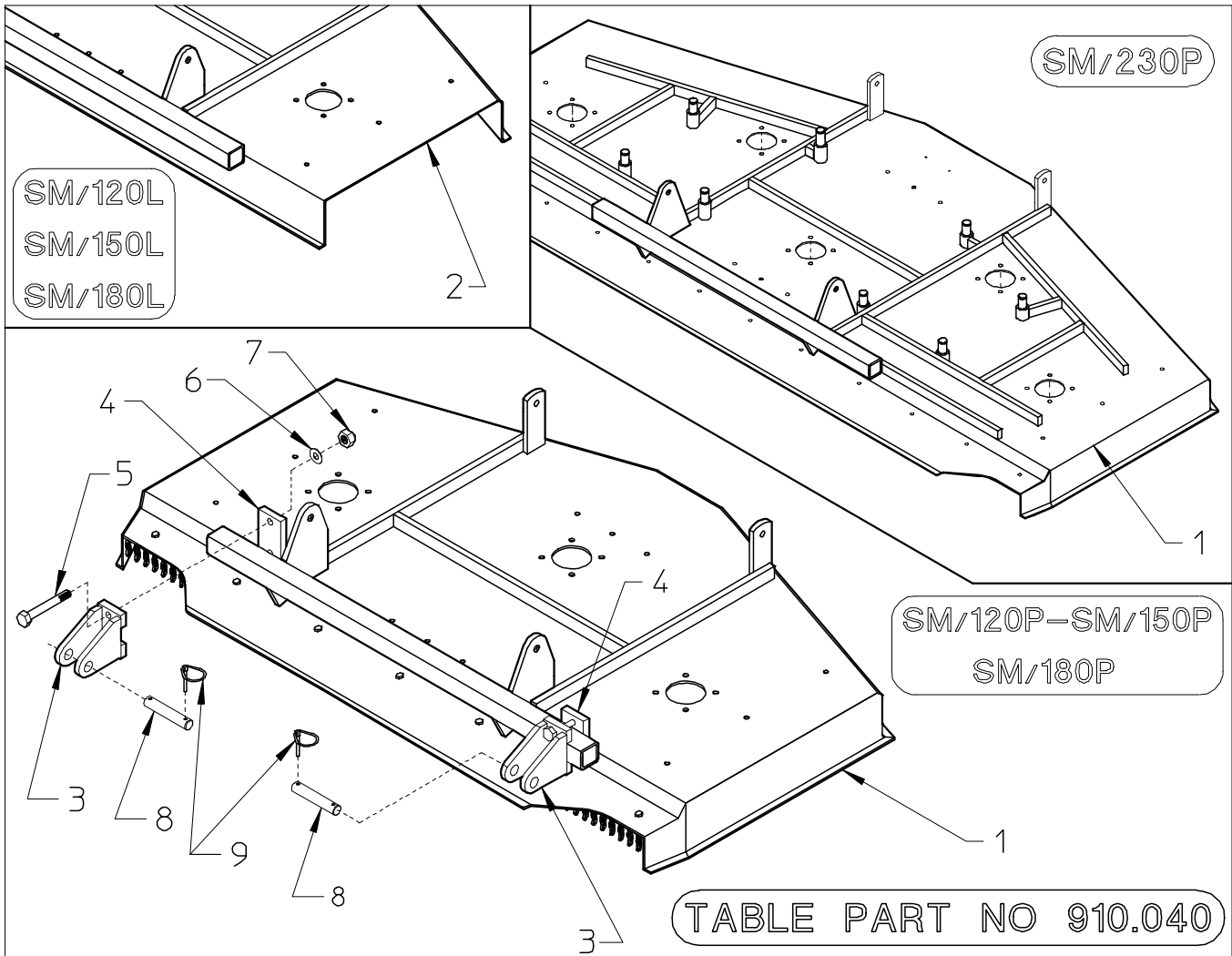
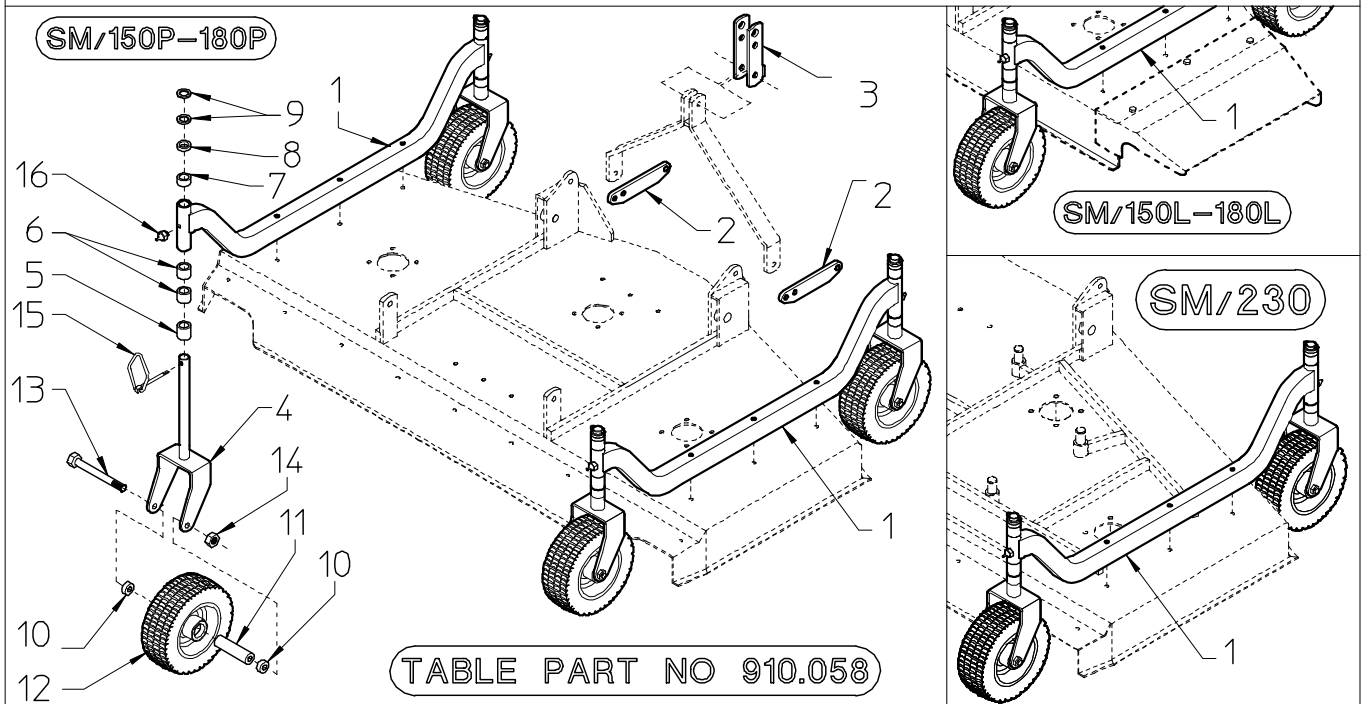


TABLE PART NO 910.040					
ITEM	DESCRIPTION	DESCRIPTION	Q.ty	PART NO	NOTE
1	COMPLETE HOOD	COFFRE COMPLET	1	110.117	120/P
1	COMPLETE HOOD	COFFRE COMPLET	1	110.116	150/P
1	COMPLETE HOOD	COFFRE COMPLET	1	110.115	180/P
1	COMPLETE HOOD	COFFRE COMPLET	1	110.114	230/P
2	COMPLETE HOOD	COFFRE COMPLET	1	100.084	120/L
2	COMPLETE HOOD	COFFRE COMPLET	1	100.085	150/L
2	COMPLETE HOOD	COFFRE COMPLET	1	100.086	180/L
3	HITCH	ATTELAGE	2	100.079	SM/120-150-180
3	HITCH	ATTELAGE	2	100.317	SM/230
4	COUNTERPLATE	CONTRE-PLATE	2	100.080	SM/120-150-180
4	COUNTERPLATE	CONTRE-PLATE	2	100.330	SM/230
5	SCREW (M12x70)	VIS (M12x70)	4	600.210	SM/120-150-180
5	SCREW (M12x80)	VIS (M12x80)	4	600.390	SM/230
6	WASHER	RONDELLE	4	600.089	SM/120-150-180-230
7	NUT (M12-DIN 980)	ECROU (M12-DIN 980)	4	600.077	SM/120-150-180-230
8	PIN	PIVOT	2	100.102	SM/120-150-180-230
9	CLIP	GOUPILLE	2	600.017	SM/120-150-180-230

NOTE: ITEMS FOR THE FRONT MOUNT MOWERS - PIECES POUR LA VERSION FRONTALE
 FOR THE OTHER ITEMS SEE TABLES PART NOS 910.055-910.056-910.065
 POUR LES AUTRES PIECES VOIR TABLES 910.055-910.056-910.065

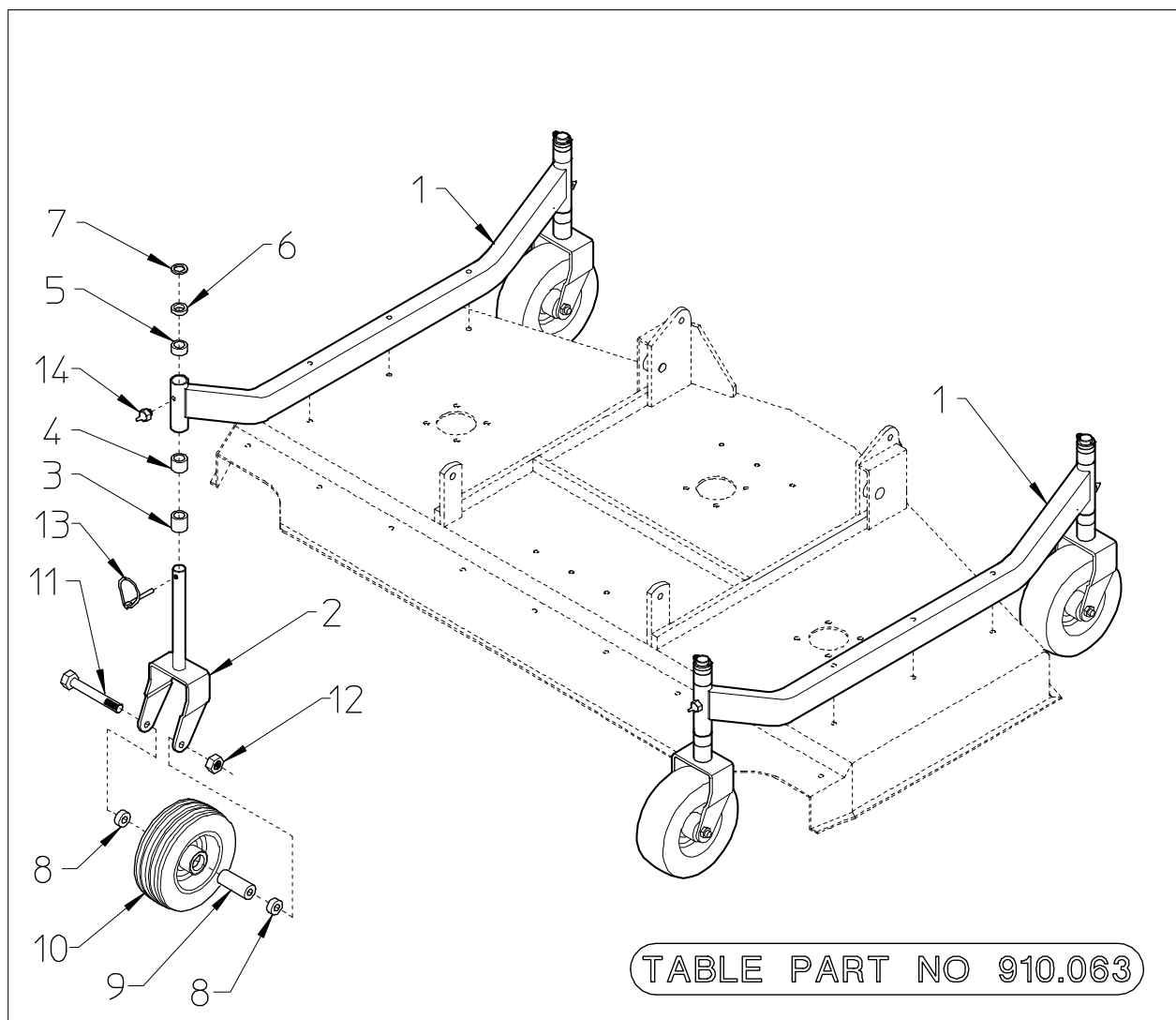
MOWERS WITH PNEUMATIC WHEEL



MOWERS WITH PNEUMATIC WHEEL-TONDEUSE AVEC ROUE PNEUMATIQUE - TABLE PART NO 910.058					
ITEM	DESCRIPTION	DESCRIPTION	Q.ty	PART NO	NOTE
1	WHEEL AXLE	ESSIEU ROUE	2	100.932	SM/150 P
1	WHEEL AXLE	ESSIEU ROUE	2	100.931	SM/180 P
1	WHEEL AXLE	ESSIEU ROUE	2	100.721	SM/230 P
1	WHEEL AXLE	ESSIEU ROUE	2	100.285	SM/150 L
1	WHEEL AXLE	ESSIEU ROUE	2	100.284	SM/180 L
2	SUPPORT	SUPPORT	2	100.297	
3	HITCH	ATTELAGE	1	100.298	
4	WHEEL SUPPORT	SUPPORT DE ROUE	4	100.291	
5	SHIM $\phi 1,2'' \times 1,26''$ ($\phi 30,5 \times 32$ mm)	EPAISSEUR $\phi 30,5 \times 32$ mm	4	100.145	
6	SHIM $\phi 1,2'' \times 1''$ ($\phi 30,5 \times 25$ mm)	EPAISSEUR $\phi 30,5 \times 25$ mm	8	100.144	
7	SHIM $\phi 1,2'' \times 0,47''$ ($\phi 30,5 \times 12$ mm)	EPAISSEUR $\phi 30,5 \times 12$ mm	4	100.143	
8	SHIM $\phi 1,2'' \times 0,24''$ ($\phi 30,5 \times 6$ mm)	EPAISSEUR $\phi 30,5 \times 6$ mm	4	100.142	
9	SHIM $\phi 1,2'' \times 0,08''$ ($\phi 30,5 \times 2$ mm)	EPAISSEUR $\phi 30,5 \times 2$ mm	8	100.141	
10	SHIM	EPAISSEUR	8	100.338	
11	SPACER	ENTRETOISE	4	100.339	
12	WHEEL	ROUE	4	610.434	
13	SCREW (M12x150)	VIS (M12x150)	4	610.271	
14	NUT (M12-DIN 980)	ECROU (M12-DIN 980)	4	600.077	
15	CLIP	GOUPILLE	4	610.466	
16	GREASE NIPPLE M6	GRAISSEUR M6	4	600.124	
*	COMPLETE WHEEL KIT AND ACCESSORIES	GROUPE ROUE PNEUM. ET ACCESSORIES	1	100.933	SM/150 P
*	COMPLETE WHEEL KIT AND ACCESSORIES	GROUPE ROUE PNEUM. ET ACCESSORIES	1	100.934	SM/180 P
*	COMPLETE WHEEL KIT AND ACCESSORIES	GROUPE ROUE PNEUM. ET ACCESSORIES	1	100.935	SM/230 P
*	COMPLETE WHEEL KIT AND ACCESSORIES	GROUPE ROUE PNEUM. ET ACCESSORIES	1	100.296	SM/150 L
*	COMPLETE WHEEL KIT AND ACCESSORIES	GROUPE ROUE PNEUM. ET ACCESSORIES	1	100.295	SM/180 L

NOTE: ITEMS FOR THE PNEUMATIC WHEEL - PIECES POUR TONDEUSE PNEUMATIQUE
 FOR THE OTHER ITEMS SEE TABLE 910.055-910.056-910.065
 POUR LES AUTRES PIECES VOIR TABLES 910.055-910.056-910.065

SOLID WHEEL KIT / KIT ROUES SOLIDE

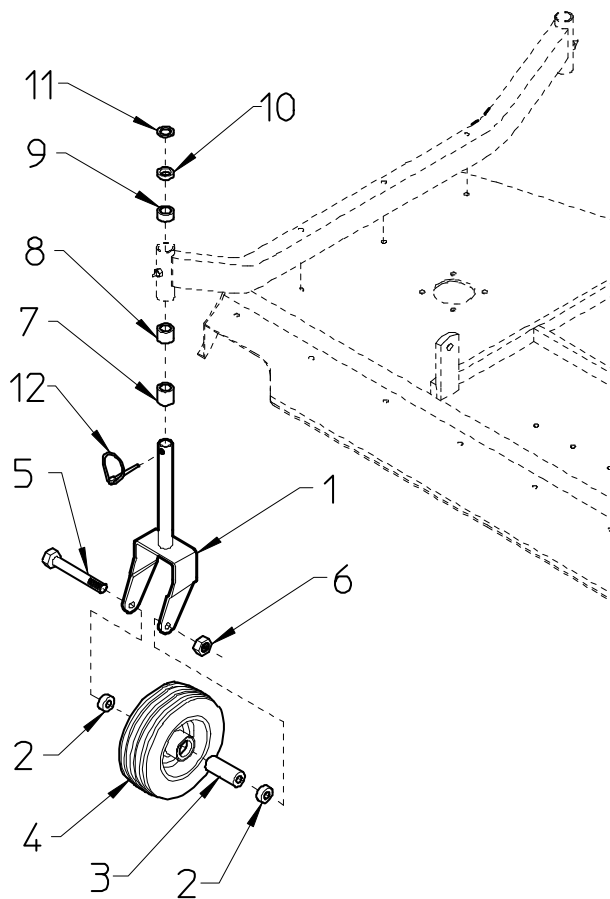


SOLID WHEEL KIT FOR MOWERS -KIT ROUES SOLIDE POUR TONDEUSE - TABLE PART NO 910.063

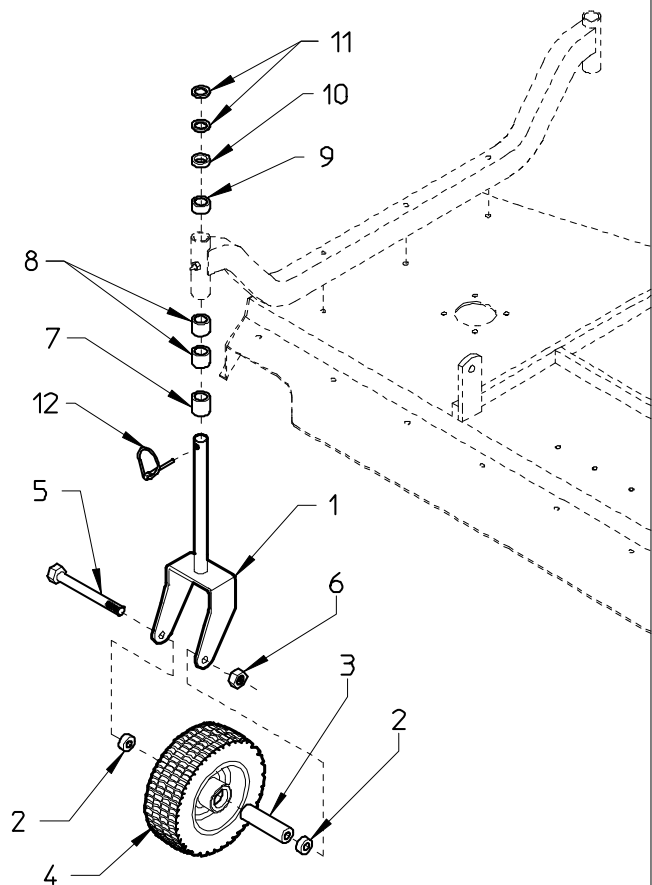
ITEM	DESCRIPTION	DESCRIPTION	Q.ty	PART NO	NOTE
1	WHEEL AXLE	ESSIEU ROUE	2	110.068	SM/120 P
1	WHEEL AXLE	ESSIEU ROUE	2	110.069	SM/150 P
1	WHEEL AXLE	ESSIEU ROUE	2	100.699	SM/180 P
1	WHEEL AXLE	ESSIEU ROUE	2	110.070	SM/230 P
1	WHEEL AXLE	ESSIEU ROUE	2	100.207	SM/120 L
1	WHEEL AXLE	ESSIEU ROUE	2	100.208	SM/150 L
1	WHEEL AXLE	ESSIEU ROUE	2	100.209	SM/180 L
2	WHEEL SUPPORT	SUPPORT DE ROUE	4	100.020	120-150-180
2	WHEEL SUPPORT	SUPPORT DE ROUE	4	100.147	SM/230 P
3	SHIM $\phi 1" \times 1,26"$ ($\phi 25,4 \times 32$ mm)	EPAISSEUR $\phi 25,4 \times 32$ mm	4	100.046	120-150-180
3	SHIM $\phi 1,2" \times 1,26"$ ($\phi 30,5 \times 32$ mm)	EPAISSEUR $\phi 30,5 \times 32$ mm	4	100.145	SM/230 P
4	SHIM $\phi 1" \times 1"$ ($\phi 25,4 \times 25$ mm)	EPAISSEUR $\phi 25,4 \times 25$ mm	4	100.045	120-150-180
4	SHIM $\phi 1,2" \times 1"$ ($\phi 30,5 \times 25$ mm)	EPAISSEUR $\phi 30,5 \times 25$ mm	4	100.144	SM/230 P
5	SHIM $\phi 1" \times 0,47"$ ($\phi 25,4 \times 12$ mm)	EPAISSEUR $\phi 25,4 \times 12$ mm	4	100.044	120-150-180
5	SHIM $\phi 1,2" \times 0,47"$ ($\phi 30,5 \times 12$ mm)	EPAISSEUR $\phi 30,5 \times 12$ mm	4	100.143	SM/230 P
6	SHIM $\phi 1" \times 0,24"$ ($\phi 25,4 \times 6$ mm)	EPAISSEUR $\phi 25,4 \times 6$ mm	4	100.043	120-150-180
6	SHIM $\phi 1,2" \times 0,24"$ ($\phi 30,5 \times 6$ mm)	EPAISSEUR $\phi 30,5 \times 6$ mm	4	100.142	SM/230 P
7	SHIM $\phi 1" \times 0,08"$ ($\phi 25,4 \times 2$ mm)	EPAISSEUR $\phi 25,4 \times 2$ mm	4	100.042	120-150-180
7	SHIM $\phi 1,2" \times 0,08"$ ($\phi 30,5 \times 2$ mm)	EPAISSEUR $\phi 30,5 \times 2$ mm	4	100.141	SM/230 P
8	SHIM	EPAISSEUR	8	100.006	
9	SPACER	ENTRETOISE	4	100.008	
10	WHEEL	ROUE	4	600.165	
11	SCREW (M12x110)	VIS (M12x110)	4	600.156	
12	NUT (M12-DIN 980)	ECROU (M12-DIN 980)	4	600.077	
13	CLIP	GOUPILLE	4	600.116	
14	GREASE NIPPLE M6	GRAISSEUR M6	4	600.124	
*	COMPLETE SOLIDE WHEEL KIT AND ACCESSORIES	KIT ROUES SOLIDE ET ACCESSORIES	1	110.130	SM/120 P
*	COMPLETE SOLIDE WHEEL KIT AND ACCESSORIES	KIT ROUES SOLIDE ET ACCESSORIES	1	110.203	SM/150 P
*	COMPLETE SOLIDE WHEEL KIT AND ACCESSORIES	KIT ROUES SOLIDE ET ACCESSORIES	1	110.204	SM/180 P
*	COMPLETE SOLIDE WHEEL KIT AND ACCESSORIES	KIT ROUES SOLIDE ET ACCESSORIES	1	110.133	SM/230 P
*	COMPLETE SOLIDE WHEEL KIT AND ACCESSORIES	KIT ROUES SOLIDE ET ACCESSORIES	1	100.290	SM/120 L
*	COMPLETE SOLIDE WHEEL KIT AND ACCESSORIES	KIT ROUES SOLIDE ET ACCESSORIES	1	100.289	SM/150 L
*	COMPLETE SOLIDE WHEEL KIT AND ACCESSORIES	KIT ROUES SOLIDE ET ACCESSORIES	1	100.288	SM/180 L

TABLE PART NO 910.066

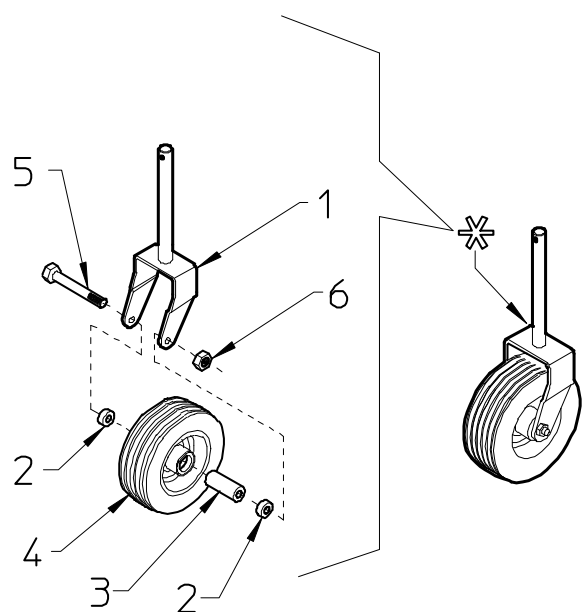
SM/120-150-180 : 100.578
 SM/230P : 110.030



SM/120-150-180-230 : 100.580



SM/120-150-180 : 110.205
 SM/230P : 110.193



SM/150-180-230 : 110.208

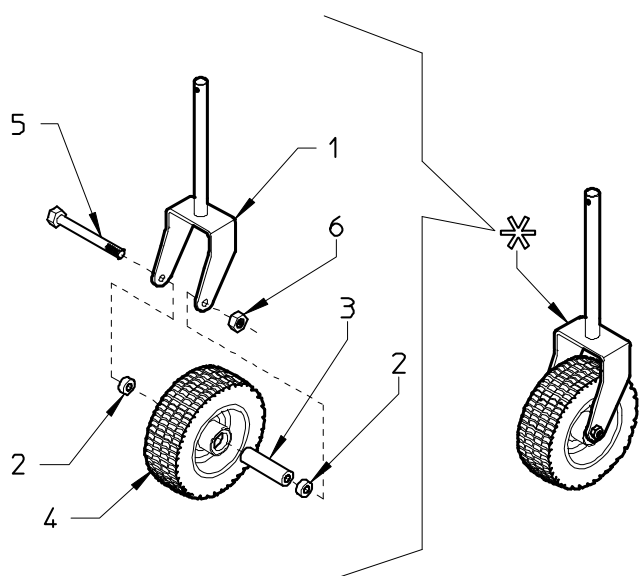


TABLE PART NO.910.066

SOLID WHEEL SUPPORT AND ACESORIES-GROUPE ROUES SOLIDE ET ACCESSORIES (SM/120-150-180=100.578/SM/230=110.030)

ITEM	DESCRIPTION	DESCRIPTION	Q.ty	PART NO	NOTE
1	WHEEL SUPPORT	SUPPORT DE ROUE	1	100.020	120-150-180
1	WHEEL SUPPORT	SUPPORT DE ROUE	1	100.147	SM/230 P
2	SHIM	EPAISSEUR	2	100.006	
3	SPACER	ENTRETOISE	1	100.008	
4	WHEEL	ROUE	1	600.165	
5	SCREW (M12x110)	VIS (M12x110)	1	600.156	
6	NUT (M12-DIN 980)	ECROU (M12-DIN 980)	1	600.077	
7	SHIM $\phi 1'' \times 1,26''$ ($\phi 25,4 \times 32$ mm)	EPAISSEUR $\phi 25,4 \times 32$ mm	1	100.046	120-150-180
7	SHIM $\phi 1,2'' \times 1,26''$ ($\phi 30,5 \times 32$ mm)	EPAISSEUR $\phi 30,5 \times 32$ mm	1	100.145	SM/230 P
8	SHIM $\phi 1'' \times 1''$ ($\phi 25,4 \times 25$ mm)	EPAISSEUR $\phi 25,4 \times 25$ mm	1	100.045	120-150-180
8	SHIM $\phi 1,2'' \times 1''$ ($\phi 30,5 \times 25$ mm)	EPAISSEUR $\phi 30,5 \times 25$ mm	1	100.144	SM/230 P
9	SHIM $\phi 1'' \times 0,47''$ ($\phi 25,4 \times 12$ mm)	EPAISSEUR $\phi 25,4 \times 12$ mm	1	100.044	120-150-180
9	SHIM $\phi 1,2'' \times 0,47''$ ($\phi 30,5 \times 12$ mm)	EPAISSEUR $\phi 30,5 \times 12$ mm	1	100.143	SM/230 P
10	SHIM $\phi 1'' \times 0,24''$ ($\phi 25,4 \times 6$ mm)	EPAISSEUR $\phi 25,4 \times 6$ mm	1	100.043	120-150-180
10	SHIM $\phi 1,2'' \times 0,24''$ ($\phi 30,5 \times 6$ mm)	EPAISSEUR $\phi 30,5 \times 6$ mm	1	100.142	SM/230 P
11	SHIM $\phi 1'' \times 0,08''$ ($\phi 25,4 \times 2$ mm)	EPAISSEUR $\phi 25,4 \times 2$ mm	1	100.042	120-150-180
11	SHIM $\phi 1,2'' \times 0,08''$ ($\phi 30,5 \times 2$ mm)	EPAISSEUR $\phi 30,5 \times 2$ mm	1	100.141	SM/230 P
12	SPLIT PIN $\phi 8$	GOUPILLE $\phi 8$	1	600.116	
*	SOLID WHEEL SUPPORT AND ACCESSORIES	GROUPE ROUES SOLIDE ET ACCESSORIES	1	100.578	120-150-180
*	SOLID WHEEL SUPPORT AND ACCESSORIES	GROUPE ROUES SOLIDE ET ACCESSORIES	1	110.030	SM/230 P

PNEUMATIC WHEEL SUPPORT AND ACESORIES-GROUPE ROUES PNEUMATIQUE ET ACCESSORIES (SM/150-180-230=100.580)

ITEM	DESCRIPTION	DESCRIPTION	Q.ty	PART NO	NOTE
1	WHEEL SUPPORT	SUPPORT DE ROUE	1	100.291	
2	SHIM	EPAISSEUR	2	100.338	
3	SPACER	ENTRETOISE	1	100.339	
4	WHEEL	ROUE	1	610.434	
5	SCREW (M12x150)	VIS (M12x150)	1	610.271	
6	NUT (M12-DIN 980)	ECROU (M12-DIN 980)	1	600.077	
7	SHIM $\phi 1,2'' \times 1,26''$ ($\phi 30,5 \times 32$ mm)	EPAISSEUR $\phi 30,5 \times 32$ mm	1	100.145	
8	SHIM $\phi 1,2'' \times 1''$ ($\phi 30,5 \times 25$ mm)	EPAISSEUR $\phi 30,5 \times 25$ mm	2	100.144	
9	SHIM $\phi 1,2'' \times 0,47''$ ($\phi 30,5 \times 12$ mm)	EPAISSEUR $\phi 30,5 \times 12$ mm	1	100.143	
10	SHIM $\phi 1,2'' \times 0,24''$ ($\phi 30,5 \times 6$ mm)	EPAISSEUR $\phi 30,5 \times 6$ mm	1	100.142	
11	SHIM $\phi 1,2'' \times 0,08''$ ($\phi 30,5 \times 2$ mm)	EPAISSEUR $\phi 30,5 \times 2$ mm	2	100.141	
12	SPLIT PIN $\phi 8$	GOUPILLE $\phi 8$	1	600.116	
*	PNEUMATIC WHEEL SUPPORT AND ACCESSORIES	ROUES PNEUMATIQUE ET ACCESSORIES	1	100.580	

SOLID WHEEL SUPPORT - GROUPE ROUES SOLIDE (SM/120-150-180=110.205/SM/230=110.193)

ITEM	DESCRIPTION	DESCRIPTION	Q.ty	PART NO	NOTE
1	WHEEL SUPPORT	SUPPORT DE ROUE	1	100.020	120-150-180
1	WHEEL SUPPORT	SUPPORT DE ROUE	1	100.147	SM/230 P
2	SHIM	EPAISSEUR	2	100.006	
3	SPACER	ENTRETOISE	1	100.008	
4	WHEEL	ROUE	1	600.165	
5	SCREW (M12x110)	VIS (M12x110)	1	600.156	
6	NUT (M12-DIN 980)	ECROU (M12-DIN 980)	1	600.077	
*	SOLID WHEEL SUPPORT	GROUPE ROUES SOLIDE	1	110.205	120-150-180
*	SOLID WHEEL SUPPORT	GROUPE ROUES SOLIDE	1	110.193	SM/230 P

PNEUMATIC WHEEL SUPPORT - GROUPE ROUES PNEUMATIQUE (SM/150-180-230=110.208)

ITEM	DESCRIPTION	DESCRIPTION	Q.ty	PART NO	NOTE
1	WHEEL SUPPORT	SUPPORT DE ROUE	1	100.291	
2	SHIM	EPAISSEUR	2	100.338	
3	SPACER	ENTRETOISE	1	100.339	
4	WHEEL	ROUE	1	610.434	
5	SCREW (M12x150)	VIS (M12x150)	1	610.271	
6	NUT (M12-DIN 980)	ECROU (M12-DIN 980)	1	600.077	
*	PNEUMATIC WHEEL SUPPORT	GROUPE ROUES PNEUMATIQUE	1	110.208	

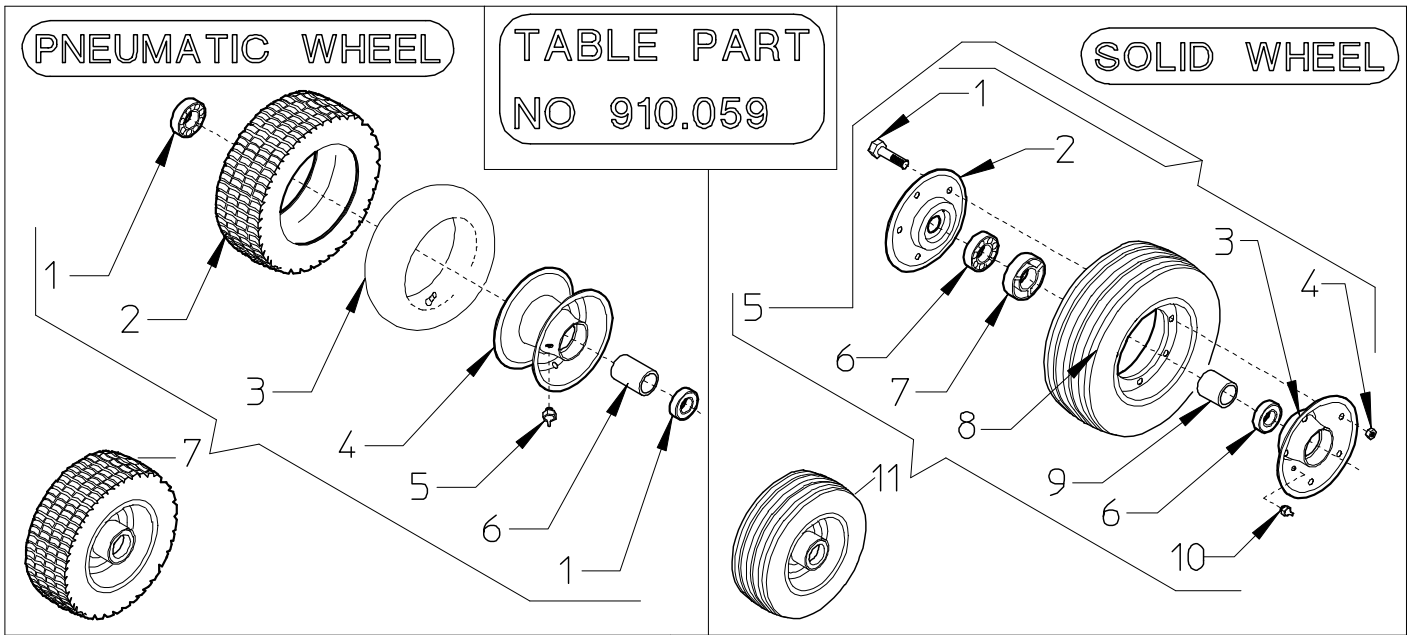


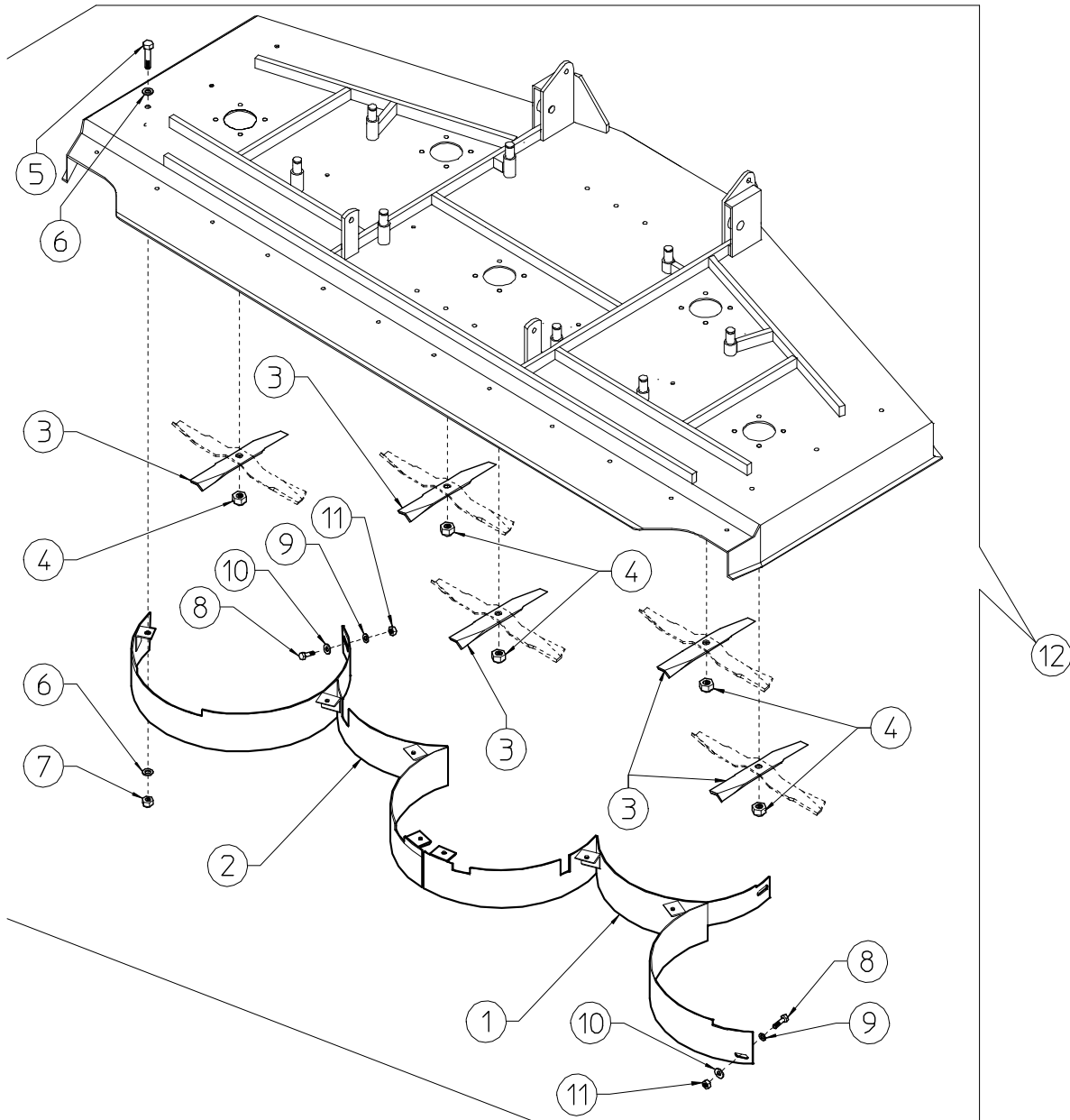
TABLE PART NO 910.059

PNEUMATIC WHEEL					
ITEM	DESCRIPTION	DESCRIPTION	Q.ty	PART NO	NOTE
1	BEARING 6005 Z	PALIER 6005 Z	2	610.867	
2	PNEU	PENEU	1	610.321	
3	TUBE	CHAMBRE AD AIRE	1	610.315	
4	RIM	CIRCLE	1	610.468	
5	GREASE NIPPLE M6	GRAISSEUR M6	1	600.124	
6	SPACER	ENTRETOISE	1	100.350	
7	COMPLETE PNEU WHEEL	ROUE PNEU COMPLETE	1	610.434	

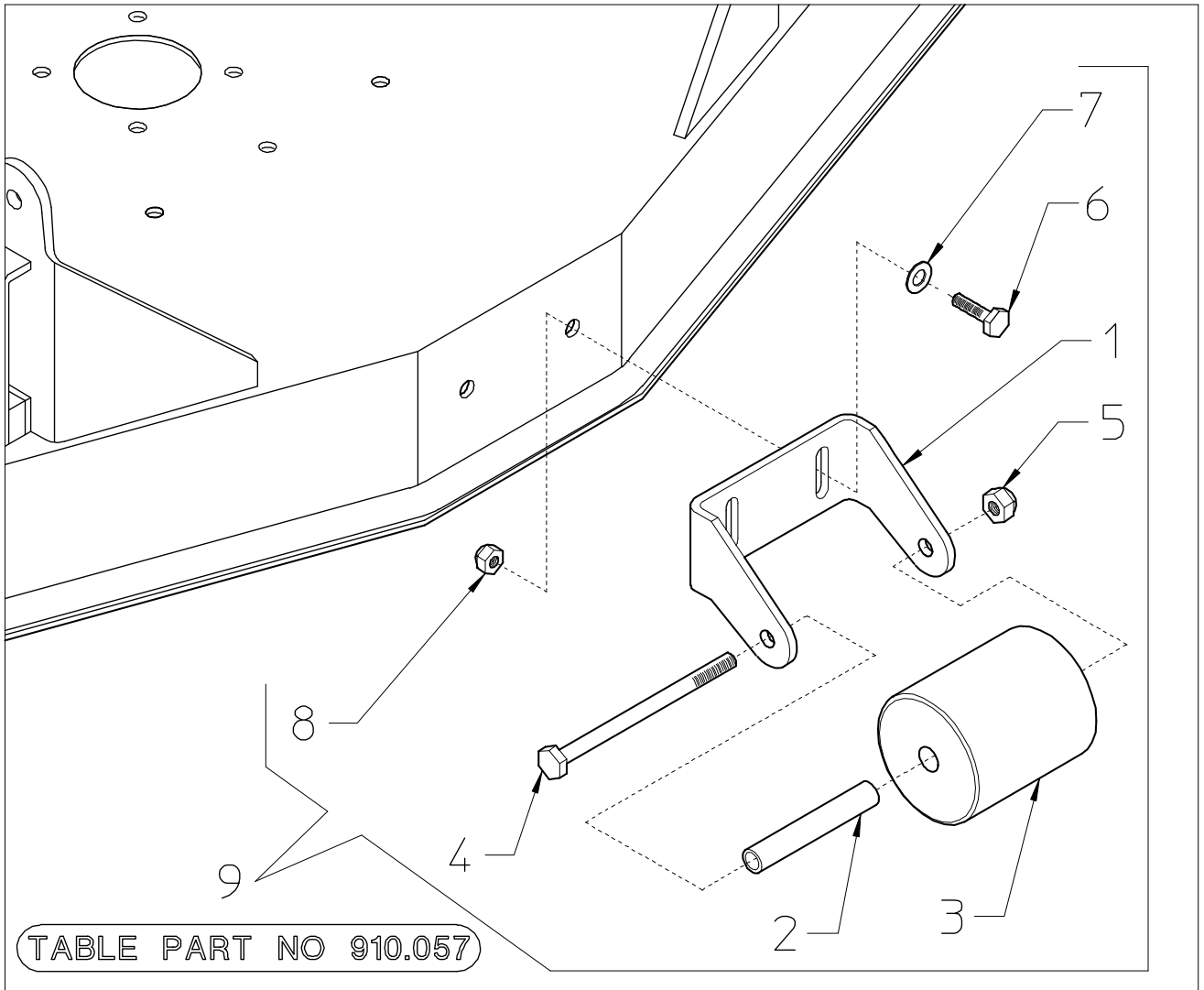
SOLID WHEEL					
ITEM	DESCRIPTION	DESCRIPTION	Q.ty	PART NO	NOTE
1	SCREW	VIS	5	600.766	
2	HALF RIM	DEMI-CIRCLE	1	600.764	
3	HALF RIM	DEMI-CIRCLE	1	600.765	
4	NUT (M8)	ECROU (M8)	5	600.037	
5	COMPLETE RIM	CIRCLE COMPLET	1	620.680	
6	BEARING 6205 Z	PALIER 6205 Z	2	600.117	
7	BUSH	HAPPE	1	100.129	
8	WHEEL	ROUE	1	600.763	
9	SPACER	ENTRETOISE	1	100.128	
10	GREASE NIPPLE M6	GRAISSEUR M6	1	600.124	
11	COMPLETE SOLID WHEEL	ROUE SOLIDE COMPLETE	1	600.165	

MULCH KIT FOR SM/230P

PART NO 110.285

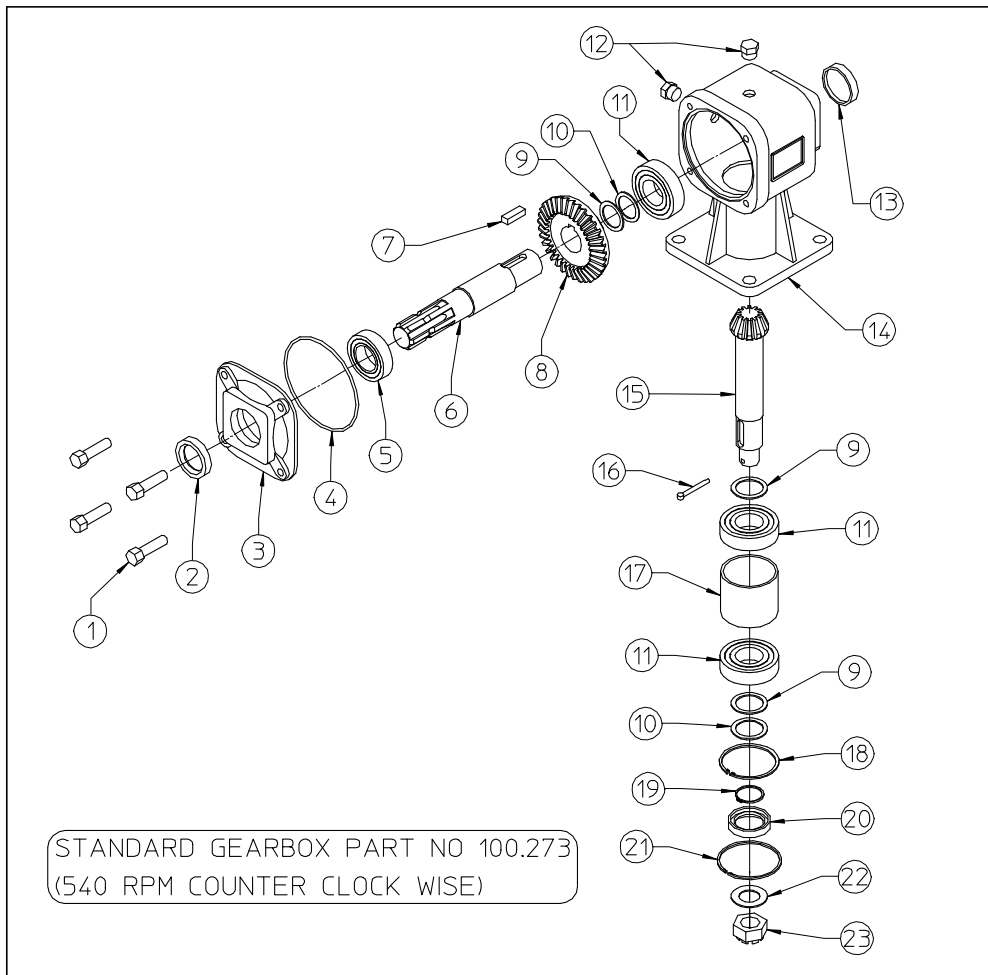


MULCH KIT FOR SM/230P			
ITEM	DESCRIPTION	Q.ty	PART NO
1	CONVEYOR, RH	1	110.326
2	CONVEYOR, LH	1	110.327
3	BLADE L.13,78" (350mm)	5	100.358
4	NUT M18x1,5	5	610.701
5	SCREW M10x25 DIN 933	7	600.006
6	WASHER ϕ 10,5 DIN 125A	14	600.322
7	NUT M10 DIN 980	7	600.029
8	SCREW M8x20 DIN 933	3	600.223
9	WASHER ϕ 8,4 DIN 125A	3	600.115
10	LARGE WASHER ϕ 9-24x2 UNI 6593	3	610.185
11	NUT M8 DIN 980	3	600.076
12	MULCH KIT	1	110.285

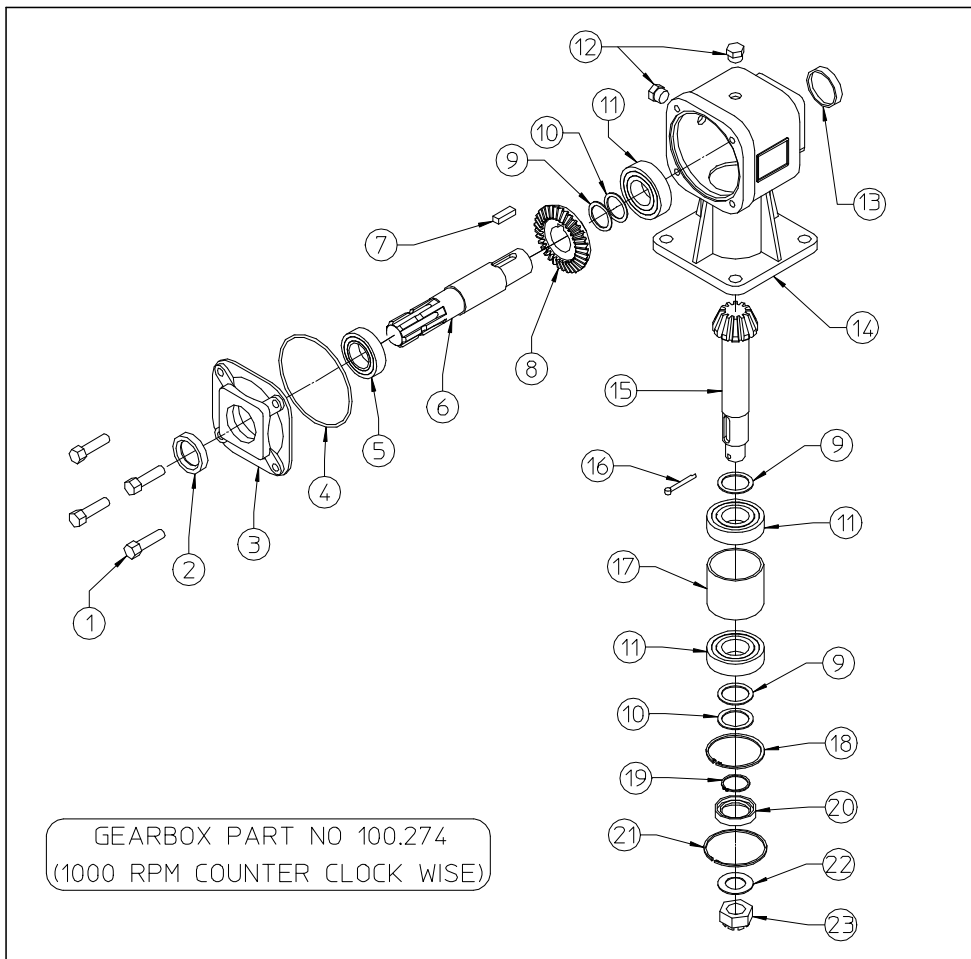


*** OPTIONAL**

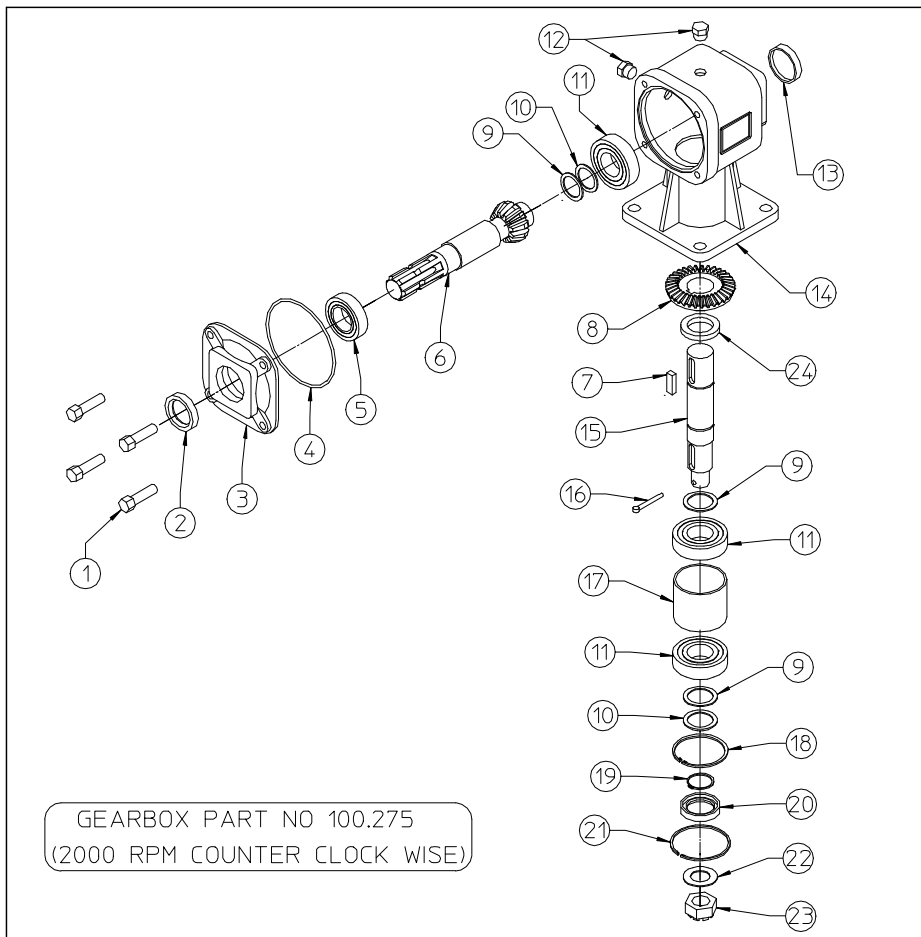
TABLE PART NO 910.057					
ITEM	DESCRIPTION	DESCRIPTION	Q.ty	PART NO	NOTE
1	SUPPORT	SUPPORT	1	100.258	SM/120-150-180
1	SUPPORT	SUPPORT	1	100.263	SM/230
2	SPACER	ENTRETOISE	1	100.259	SM/120-150-180
2	SPACER	ENTRETOISE	1	100.504	230/P
3	ROLLER	ROULEAU	1	100.260	SM/120-150-180
3	ROLLER	ROULEAU	1	100.505	SM/230
4	SCREW (M12x160)	VIS (M12x160)	1	600.807	SM/120-150-180
4	SCREW (M12x220)	VIS (M12x220)	1	610.676	SM/230
5	NUT (M12-DIN 980)	ECROU (M12-DIN 980)	1	600.077	
6	SCREW (M10x25)	VIS (M10x25)	2	600.006	
7	WASHER ϕ 10,5	RONDELLE ϕ 10,5	2	600.322	
8	NUT (M10-DIN 980)	ECROU (M10-DIN 980)	2	600.029	
9	ANTISCALPING KIT, COMPLETE	GROUPE ROLEAU FRONTALE	1	100.364	SM/120-150-180
9	ANTISCALPING KIT, COMPLETE	GROUPE ROLEAU FRONTALE	1	100.503	SM/230



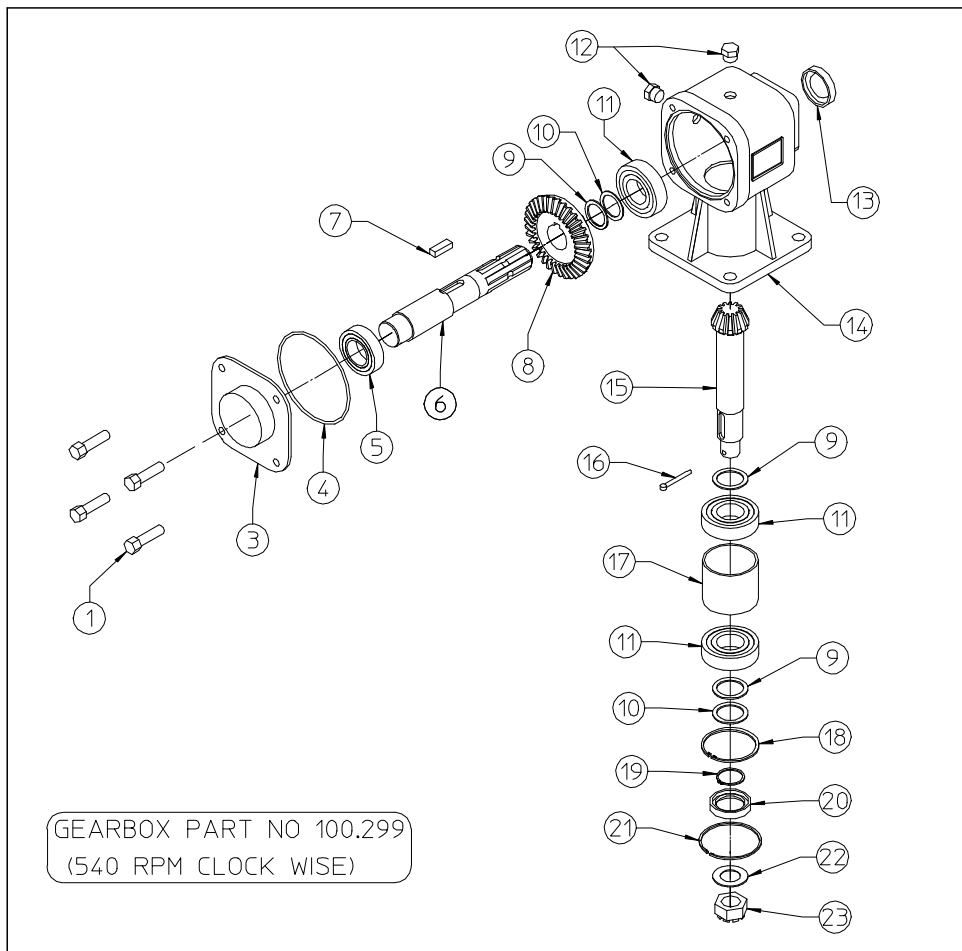
GEARBOX / MULTIPLIER PART NO 100.273					
ITEM	Q.ty	PART NO	DESCRIPTION	DESCRIPTION	NOTE
1	4	600.054	SCREW (M10x25)	VIS (M10x25)	
2	1	600.346	GASKET $\phi 35-52 \times 7$	GARNITURE $\phi 35-52 \times 7$	
3	1	100.272	COVER	BOUCHON	
4	1	600.345	OR GASKET	JOINT	
5	1	600.342	BEARING 6007	PALIER 6007	
6	1	100.268	PTO SHAFT	ARBRE	
7	1	600.325	LATCH A10x8x30	CLAVETTE A10x8x30	
8	1	100.269	CROWN Z34	COURONNE Z34	
9	3	200.274	SHIM $\phi 35,2 \times 0,5$	EPAISSEUR $\phi 35,2 \times 0,5$	
10	2	200.490	SHIM $\phi 35,2 \times 0,3$	EPAISSEUR $\phi 35,2 \times 0,3$	
11	3	600.327	BEARING 6207	PALIER 6207	
12	2	600.560	PLUG 3/8"	BOUCHON 3/8"	
13	1	600.328	CAP	CAPSULE	
14	1	100.267	GEARBOX	BOITE	
15	1	100.271	PINION Z12	PIGNON Z12	
16	1	600.347	SPLIT PIN $\phi 5 \times 50$	GOUPILLE $\phi 5 \times 50$	
17	1	100.270	SPACER	ENTRETOISE	
18	1	600.332	SNAP RING I 72	SEGMENT D'ARRET I 72	
19	1	600.333	SNAP RING E 35	SEGMENT D'ARRET E 35	
20	1	600.338	GASKET $\phi 35-72 \times 10$	GARNITURE $\phi 35-72 \times 10$	
21	1	600.337	RING SB 72	ANNEAU SB 72	
22	1	600.335	WASHER $\phi 25$	RONDELLE $\phi 25$	
23	1	600.296	NUT M24x2	ECROU M24x2	



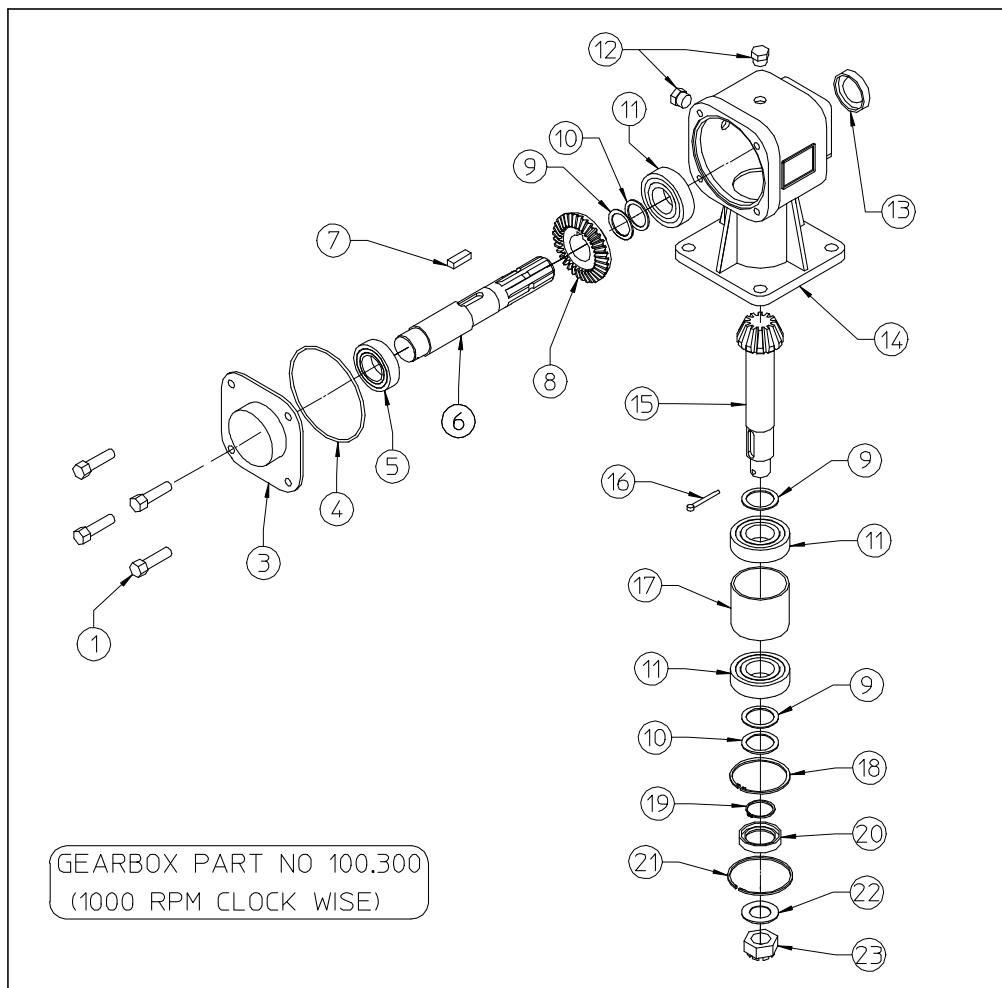
GEARBOX / MULTIPLIER PART NO 100.274					
ITEM	Q.ty	PART NO	DESCRIPTION	DESCRIPTION	NOTE
1	4	600.054	SCREW (M10x25)	VIS (M10x25)	
2	1	600.346	GASKET $\phi 35-52 \times 7$	GARNITURE $\phi 35-52 \times 7$	
3	1	100.272	COVER	BOUCHON	
4	1	600.345	OR GASKET	JOINT	
5	1	600.342	BEARING 6007	PALIER 6007	
6	1	100.268	PTO SHAFT	ARBRE	
7	1	600.325	LATCH A10x8x30	CLAVETTE A10x8x30	
8	1	100.276	CROWN Z19	COURONNE Z19	
9	3	200.274	SHIM $\phi 35,2 \times 0,5$	EPAISSEUR $\phi 35,2 \times 0,5$	
10	2	200.490	SHIM $\phi 35,2 \times 0,3$	EPAISSEUR $\phi 35,2 \times 0,3$	
11	3	600.327	BEARING 6207	PALIER 6207	
12	2	600.560	PLUG 3/8"	BOUCHON 3/8"	
13	1	600.328	CAP	CAPSULE	
14	1	100.267	GEARBOX	BOITE	
15	1	100.277	PINION Z13	PIGNON Z13	
16	1	600.347	SPLIT PIN $\phi 5 \times 50$	GOUPILLE $\phi 5 \times 50$	
17	1	100.270	SPACER	ENTRETOISE	
18	1	600.332	SNAP RING I 72	SEGMENT D'ARRET I 72	
19	1	600.333	SNAP RING E 35	SEGMENT D'ARRET E 35	
20	1	600.338	GASKET $\phi 35-72 \times 10$	GARNITURE $\phi 35-72 \times 10$	
21	1	600.337	RING SB 72	ANNEAU SB 72	
22	1	600.335	WASHER $\phi 25$	RONDELLE $\phi 25$	
23	1	600.296	NUT M24x2	ECROU M24x2	



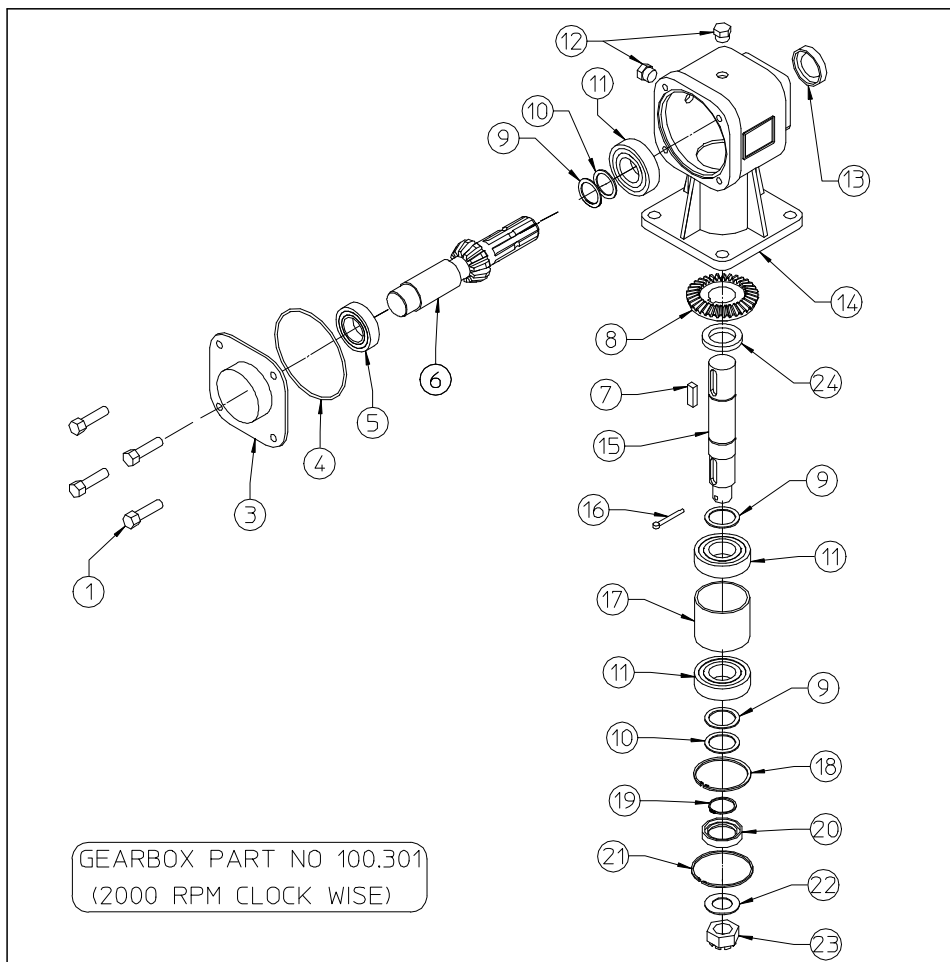
GEARBOX / MULTIPLIER PART NO 100.275					
ITEM	Q.ty	PART NO	DESCRIPTION	DESCRIPTION	NOTE
1	4	600.054	SCREW (M10x25)	VIS (M10x25)	
2	1	600.346	GASKET $\phi 35-52 \times 7$	GARNITURE $\phi 35-52 \times 7$	
3	1	100.272	COVER	BOUCHON	
4	1	600.345	OR GASKET	JOINT	
5	1	600.342	BEARING 6007	PALIER 6007	
6	1	100.279	PTO SHAFT WITH PINION Z14	ARBRE AVEC PINION Z 14	
7	1	600.325	LATCH A10x8x30	CLAVETTE A10x8x30	
8	1	100.278	CROWN Z19	COURONNE Z19	
9	3	200.274	SHIM $\phi 35,2 \times 0,5$	EPAISSEUR $\phi 35,2 \times 0,5$	
10	2	200.490	SHIM $\phi 35,2 \times 0,3$	EPAISSEUR $\phi 35,2 \times 0,3$	
11	3	600.327	BEARING 6207	PALIER 6207	
12	2	600.560	PLUG 3/8"	BOUCHON 3/8"	
13	1	600.328	CAP	CAPSULE	
14	1	100.267	GEARBOX	BOITE	
15	1	100.304	SHAFT	ARBRE	
16	1	600.347	SPLIT PIN $\phi 5 \times 50$	GOUPILLE $\phi 5 \times 50$	
17	1	100.270	SPACER	ENTRETOISE	
18	1	600.332	SNAP RING I 72	SEGMENT D'ARRET I 72	
19	1	600.333	SNAP RING E 35	SEGMENT D'ARRET E 35	
20	1	600.338	GASKET $\phi 35-72 \times 10$	GARNITURE $\phi 35-72 \times 10$	
21	1	600.337	RING SB 72	ANNEAU SB 72	
22	1	600.335	WASHER $\phi 25$	RONDELLE $\phi 25$	
23	1	600.296	NUT M24x2	ECROU M24x2	
24	1	100.331	SHIM	EPAISSEUR	



GEARBOX / MULTIPLIER PART NO 100.299					
ITEM	Q.ty	PART NO	DESCRIPTION	DESCRIPTION	NOTE
1	4	600.054	SCREW (M10x25)	VIS (M10x25)	
3	1	100.303	COVER	BOUCHON	
4	1	600.345	OR GASCKET	JOINT	
5	1	600.342	BEARING 6007	PALIER 6007	
6	1	100.302	PTO SHAFT	ARBRE	
7	1	600.325	LATCH A10x8x30	CLAVETTE A10x8x30	
8	1	100.269	CROWN Z34	COURONNE Z34	
9	3	200.274	SHIM $\phi 35,2 \times 0,5$	EPAISSEUR $\phi 35,2 \times 0,5$	
10	2	200.490	SHIM $\phi 35,2 \times 0,3$	EPAISSEUR $\phi 35,2 \times 0,3$	
11	3	600.327	BEARING 6207	PALIER 6207	
12	2	600.560	PLUG 3/8"	BOUCHON 3/8"	
13	1	600.346	GASCKET $\phi 35-52 \times 7$	GARNITURE $\phi 35-52 \times 7$	
14	1	100.267	GEARBOX	BOITE	
15	1	100.271	SHAFT WITH PINION Z12	ARBRE AVEC PINION Z12	
16	1	600.347	SPLIT PIN $\phi 5 \times 50$	GOUPILLE $\phi 5 \times 50$	
17	1	100.270	SPACER	ENTRETOISE	
18	1	600.332	SNAP RING I 72	SEGMENT D'ARRET I 72	
19	1	600.333	SNAP RING E 35	SEGMENT D'ARRET E 35	
20	1	600.338	GASCKET $\phi 35-72 \times 10$	GARNITURE $\phi 35-72 \times 10$	
21	1	600.337	RING SB 72	ANNEAU SB 72	
22	1	600.335	WASHER $\phi 25$	RONDELLE $\phi 25$	
23	1	600.296	NUT M24x2	ECROU M24x2	
24	1	100.331	SHIM	EPAISSEUR	

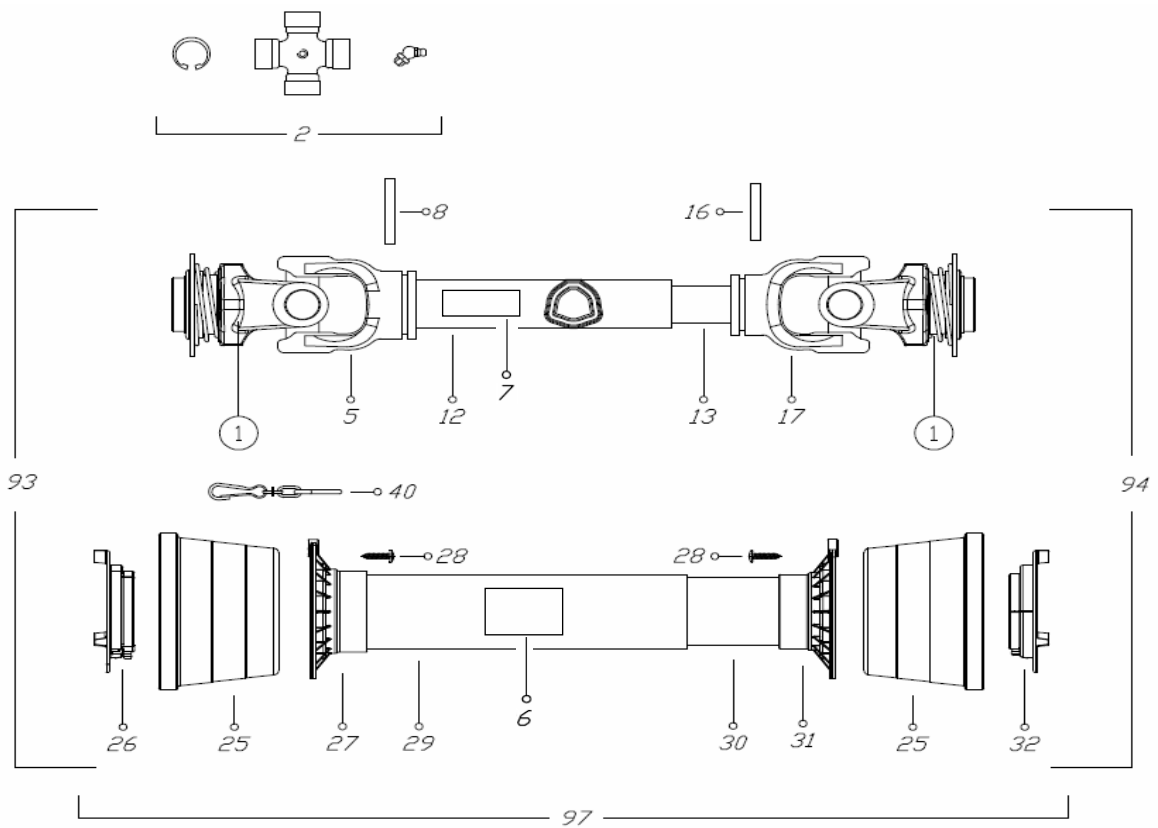


GEARBOX / MULTIPLIER PART NO 100.300					
ITEM	Q.ty	PART NO	DESCRIPTION	DESCRIPTION	NOTE
1	4	600.054	SCREW (M10x25)	VIS (M10x25)	
3	1	100.303	COVER	BOUCHON	
4	1	600.345	OR GASCKET	JOINT	
5	1	600.342	BEARING 6007	PALIER 6007	
6	1	100.302	PTO SHAFT	ARBRE	
7	1	600.325	LATCH A10x8x30	CLAVETTE A10x8x30	
8	1	100.276	CROWN Z19	COURONNE Z19	
9	3	200.274	SHIM $\phi 35,2 \times 0,5$	EPAISSEUR $\phi 35,2 \times 0,5$	
10	2	200.490	SHIM $\phi 35,2 \times 0,3$	EPAISSEUR $\phi 35,2 \times 0,3$	
11	3	600.327	BEARING 6207	PALIER 6207	
12	2	600.560	PLUG 3/8"	BOUCHON 3/8"	
13	1	600.346	GASCKET $\phi 35-52 \times 7$	GARNITURE $\phi 35-52 \times 7$	
14	1	100.267	GEARBOX	BOITE	
15	1	100.277	SHAFT WITH PINION Z13	ARBRE AVEC PINION Z13	
16	1	600.347	SPLIT PIN $\phi 5 \times 50$	GOUPILLE $\phi 5 \times 50$	
17	1	100.270	SPACER	ENTRETOISE	
18	1	600.332	SNAP RING I 72	SEGMENT D'ARRET I 72	
19	1	600.333	SNAP RING E 35	SEGMENT D'ARRET E 35	
20	1	600.338	GASCKET $\phi 35-72 \times 10$	GARNITURE $\phi 35-72 \times 10$	
21	1	600.337	RING SB 72	ANNEAU SB 72	
22	1	600.335	WASHER $\phi 25$	RONDELLE $\phi 25$	
23	1	600.296	NUT M24x2	ECROU M24x2	

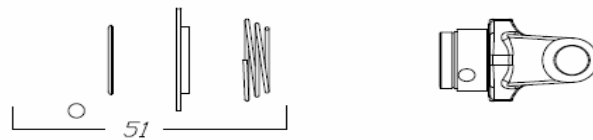


GEARBOX / MULTIPLIER PART NO 100.301					
ITEM	Q.ty	PART NO	DESCRIPTION	DESCRIPTION	NOTE
1	4	600.054	SCREW (M10x25)	VIS (M10x25)	
3	1	100.303	COVER	BOUCHON	
4	1	600.345	OR GASCKET	JOINT	
5	1	600.342	BEARING 6007	PALIER 6007	
6	1	100.314	SHAFT WITH PINION Z14	ARBRE AVEC PINION Z14	
7	1	600.325	LATCH A10x8x30	CLAVETTE A10x8x30	
8	1	100.278	CROWN Z19	COURONNE Z19	
9	3	200.274	SHIM $\phi 35,2 \times 0,5$	EPAISSEUR $\phi 35,2 \times 0,5$	
10	2	200.490	SHIM $\phi 35,2 \times 0,3$	EPAISSEUR $\phi 35,2 \times 0,3$	
11	3	600.327	BEARING 6207	PALIER 6207	
12	2	600.560	PLUG 3/8"	BOUCHON 3/8"	
13	1	600.346	GASCKET $\phi 35-52 \times 7$	GARNITURE $\phi 35-52 \times 7$	
14	1	100.267	GEARBOX	BOITE	
15	1	100.304	SHAFT	ARBRE	
16	1	600.347	SPLIT PIN $\phi 5 \times 50$	GOUPILLE $\phi 5 \times 50$	
17	1	100.270	SPACER	ENTRETOISE	
18	1	600.332	SNAP RING I 72	SEGMENT D'ARRET I 72	
19	1	600.333	SNAP RING E 35	SEGMENT D'ARRET E 35	
20	1	600.338	GASCKET $\phi 35-72 \times 10$	GARNITURE $\phi 35-72 \times 10$	
21	1	600.337	RING SB 72	ANNEAU SB 72	
22	1	600.335	WASHER $\phi 25$	RONDELLE $\phi 25$	
23	1	600.296	NUT M24x2	ECROU M24x2	
24	1	100.331	SHIM	EPAISSEUR	

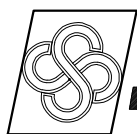
CARDAN SHAFT B3 090 E PART NO 630.429



①



CARDAN SHAFT/ARBRE A CARDAN Part No. 630.429				
Item Pos.	Part No. Code	Q.ty	DESCRIPTION	NOTE
1	620.825	2	YOKE	
2	610.235	2	CROSS JOURNAL ASS.	
5	610.236	1	OUTER TUBE YOKE	
6	001.411	1	LABEL "DANGER ROTATING"	
7	001.316	1	LABEL "DANGER SHIELD..."	
8	610.208	1	FLEXIBLE PIN	
12	610.209	1	CM. 100 CARDAN TUBE(*)	
13	610.210	1	CM. 100 CARDAN TUBE(*)	
16	610.211	1	FLEXIBLE PIN	
17	610.238	1	INNER TUBE YOKE	
25	630.400	2	CONE SHIELD BELL 01-02	
26	630.401	1	OUTER BEARING 02	
27	630.402	1	OUTER BASE CONE 01-02	
28	630.389	6	SCREW	
29	630.422	1	OUTER SAFETY TUBE	
30	630.423	1	INNER SAFETY TUBE	
31	630.405	1	INNER BASE CONE 01-02	
32	630.406	1	INNER BEARING 02	
40	610.068	1	CHAIN	
51	620.830	2	BALL COLLAR KITT	
93	630.425	1	OUTER HALF SHAFT	
94	630.426	1	INNER HALF SHAFT	
97	630.427	1	SAFETY GUARD	



AGRICULTURAL MACHINERY
sitrex® Spq .

Zona Industriale-Viale Grecia, 8
06018 TRESTINA-(Perugia)-ITALY
Tel. +39.075.8540021-Telefax +39.075.8540523
e-mail: sitrex@sitrex.it www.sitrex.com

