



# SIDE DISCHARGE BUCKET

For Skid Steer Loaders



**FFC Side Discharge Buckets**, by Paladin, provide the power and precision you need to lay sand, saw dust, feed and other materials for agricultural road maintenance, and sandbagging applications.

## *Sand Discharge Bucket*

- Right or left discharge
- Direct hydraulic drive for conveyor
- Belt driven by cast steel sprockets
- Removable belt cover to keep weight off belt and reduce stalling



## *Sawdust Discharge Bucket*

- Material agitator to prevent bridging
- Direct hydraulic drive for agitator versus chain and sprocket drive

# SIDE DISCHARGE BUCKET

## Sand Discharge Bucket

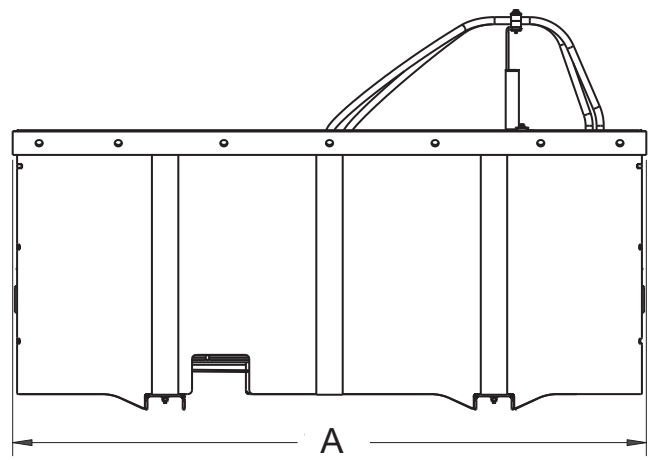
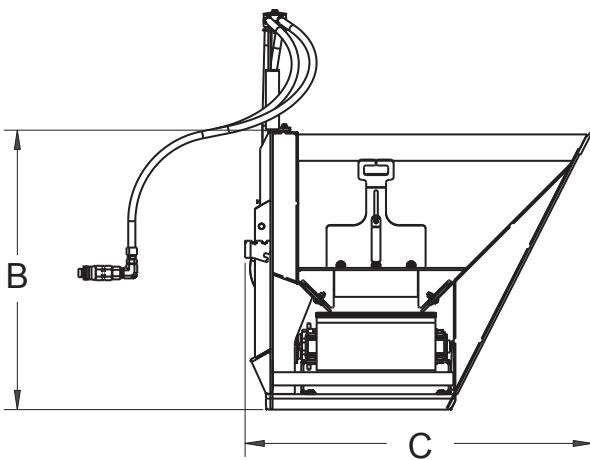
- 13-1/2" wide belt with 1/2" tall grouser
- Bucket edge drilled for bolt on edge
- No tool adjustment for discharge doors

## Sawdust Discharge Bucket

- 15" wide belt with 1" tall grouser

Specifications	10714-60 60" Sand	10714-72 72" Sand	10715-72 72" Sawdust	10715-84 84" Sawdust
Weight (lbs)	805	915	1120	1300
A. Width (overall)	60.0"	72.0"	72.0"	84.0"
B. Height (overall)	31.1"	31.1"	44.6"	44.6"
C. Depth (overall)	40.0"	40.0"	46.5"	46.5"
Capacity (cu. yds)	60.75	66.75	76	82
GPM Range	15-25	15-25	15-25	15-25
<b>*Material Performance Rating</b>				
Sand	Best	Best	Fair	Fair
Aggregate	Good	Good	Fair	Fair
Topsoil	Good	Good	Fair	Fair
Sawdust	Poor	Poor	Best	Best
Mulch	Poor	Poor	Best	Best
Silage	Fair	Fair	Good	Good

*\*Ratings consider the material to be in a typical working condition with respect to moisture content. In most cases as moisture content increases performance will be adversely affected.*



*When work needs to get done you need to be able to depend on your equipment. Our Side Discharge Buckets are designed for maximum reliability, durability, and productivity.*