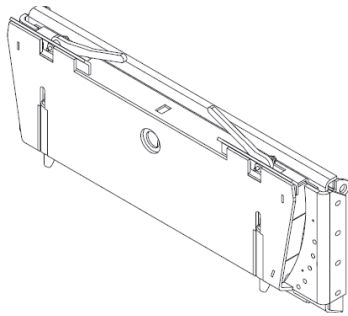




# TILT ATTACH

For Skid Steer Loaders



Specifications	
Width	46.8"
Height	18.5"
Depth	4.2"
Cylinder Bore In	2.5"
Rod Diameter	1.3"
Tilt Degree	±18°
Lift Capacity	4,200 lbs
Weight	422 lbs

**Bradco Tilt Attach**, by Paladin, allows full utilization of your skid steer on hilly terrain. It attaches to a skid steer universal hitch to allow attachments to tilt up to 18° to the left and right of level. The Tilt Attach tilts buckets and landscaping implements for more precise grading and leveling.

- Heavy duty provides better utilization of skid steer on uneven terrain
- Optional valve package is mounted to Tilt Attach for use with hydraulic powered attachments
- Simple connection by electric wiring keeps valves and hoses out of operator's cabin
- Large spherical ball bushing in center pivot allows extra strength and durability
- Abrasion resistant plate steel allows longer life

Post Driver Valve Package

