

DEMCO

HARVEST EQUIPMENT



Doing Our Best to Provide You the Best
www.demco-products.com • 800.543.3626

DEMCO

GRAIN WAGONS

365, 500 SS, 650 SS, 750 SS

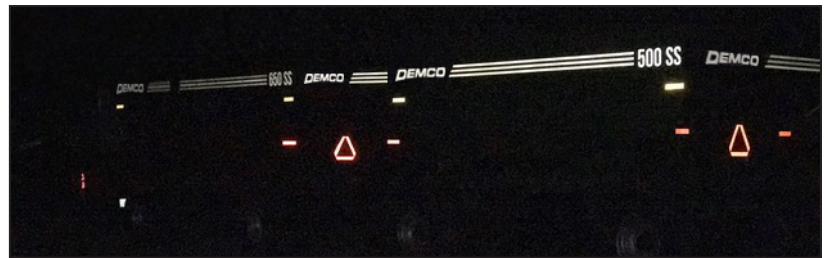
Stronger and Safer. Since the late 70's growers have counted on Demco for reliable, dependable, and high quality gravity flow wagons. Carrying on this tradition is our new SS Series of gravity flow wagons. You can expect the same unmatched grain flow and durability, with many new features to bring you even more quality. Relying on feedback from our customers over the years, we are proud to provide the SS Series wagons – **Stronger & Safer!**

Demco wagons lead the industry in unloading performance!



REFLECTIVE DECALS

The photo to the left shows the superior safety of our new, reflective decals at night!



500 SS & 650 SS

Heavy duty torsion bar suspension reduces wagon stress and improves ride and handling



750 SS

Adjustable Door Opener with Larger Hand Wheel



Cast Spindle Carriers - front and rear

RELIABLE • EASY TO OPERATE • EFFICIENT • SAFE

DEMCO

HORIZONTAL DRAG AUGER GRAIN CARTS

1122, 1322, 1400

Bigger doesn't necessarily mean better, but it can mean more efficient!

Our 1122, 1322, and 1400 grain carts are loaded with features which provide operator convenience & comfort, and help make your harvest operation productive and smooth.

"The ability to adjust the height of the auger is a feature that is very beneficial during windy harvest conditions."

-Carl Z.



Narrow transport width and low profile design



UNMATCHED FORWARD REACH

Grain cart operator has full visibility while unloading without having to turn around.

Unlike other large capacity grain carts, these Demco grain carts have a corner auger design providing excellent visibility. Demco's 1400 grain cart has a hydraulic driven drag auger and the 1122 & 1322 has a PTO driven drag auger. **These large capacity grain carts are unmatched in the industry with convenient features, first-rate quality, and excellent efficiency for your harvest operation.**



PTO DRIVEN DRIVETRAIN ON 1122/1322

*Gearbox includes 2 output PTO shafts (1 for horizontal auger and 1 for vertical auger).
NO pulleys or Belts!*



EXTRA SPOUT CLEARANCE

Beneficial in hilly terrain



Unload auger height adjust



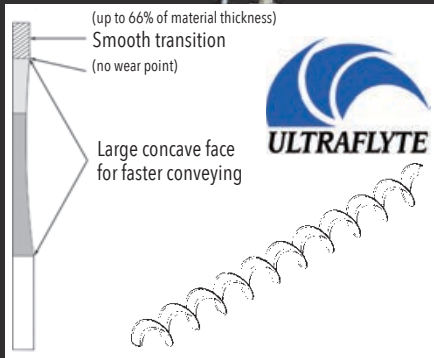
GRAVITY FLOW GRAIN CARTS

550, 650, 750, 850, 1050, 1150

Demco's grain cart is built rugged for heavy loads. The chassis is extra heavy duty to stand up to fields with imperfect terrain when the cart is fully loaded.

The slope design of the box insures hassle-free unloading. The auger folds forward to provide excellent visibility of the grain flow when unloading. Driven by an automatic overrunning slip clutch PTO shaft, the balanced auger and gearbox are protected from high torque start-ups associated with handling high moisture grain.

Demco Grain Carts are the most user-friendly grain carts on the market!



UltraFlyte flighting for less wear and faster conveying



SUPERIOR CLEAN-OUT

The slope of gravity flow cart allows for fast clean-out



POSI-DRIVE COUPLER

Eliminates noise and shock when engaging



PENDANT GRIP

Optional ergonomic pendant operates grain flow gate, auger fold, and adjustable spout

DEMCO

GRAVITY FLOW GRAIN CARTS

1102, 1272



Demco grain carts are loaded with features which provide operator convenience & comfort, and help make your harvest operation efficient and smooth.

From our slope providing first-rate clean-out, to our POSI-Drive auger coupler, to our auger's forward reach, visibility, & clearance, to our UltraFlyte auger flighting – we have dynamic features to meet your needs. Our grain carts also come with our adjustable auger spout as standard equipment providing you with more convenience and precise unloading. The durable construction of our grain carts provides the high quality you can count on from Demco.

1102 and 1272 are available with singles, tracks or oscillating duals

Overrunning Slip Clutch

Automatic reset "cut-out" clutch with overrunning clutch to protect auger drive and tractor PTO



UNMATCHED FORWARD REACH

Grain cart operator has full visibility while unloading without having to turn around



ADJUSTABLE AUSTEMPERED CAST HITCH - 1102, 1272

Fits category 4 or 5 hammerstrap tractor drawbar



HEAD TRANSPORTS

Standard, Heavy Duty, All Wheel Steer

NEW neck and fenders on Standard Head Transports and Heavy Duty Head Transports



Demco header transports have become the standard in the industry to help you transport your large, heavy, and expensive combine headers. Ranging from 20' up to 48', the standard tricycle front end and torsion axles offer straight and smooth towing. With the investment you have in today's equipment you can count on the Demco header transport with the original tricycle design to allow maneuverability and reliability second to none in the industry.

There are many imitators to the tricycle design of header transports but the clear leader is Demco. Demco's unique design offers the quality and durability to withstand the heaviest of loads. Whether you are looking for a storage transport or a transport to travel across the country, Demco has your needs covered.

With thousands of dollars invested in your corn head and more in your platform, trusting your investment to the best head transport on the market, would only be right!

STANDARD HEAD TRANSPORT

20' • 24' • 28' • 32' • 38' • 42'



Torsion flex axles provide a smooth ride

HEAVY DUTY HEAD TRANSPORT

32' • 38' • 42' • 48'



Standard telescoping tongue and EZ Latch 2 5/16" ball coupler and safety chains

ALL WHEEL STEER HEAD TRANSPORT

32' • 38' • 42' • 48'



Torsion flex axles provide a smooth ride

Adjustable upper support tube



Two fully adjustable ratcheting straps for securing all brands of heads



Standard adjustable slider or draper brackets allow you to carry multiple heads on the same transport



The sealed LED lighting system enables safe towing day and night



ALL WHEEL STEER HEAD TRANSPORT
Heavy duty articulating pivots add strength, durability and provide a short turning radius.

RELIABLE • EASY TO OPERATE • EFFICIENT • SAFE

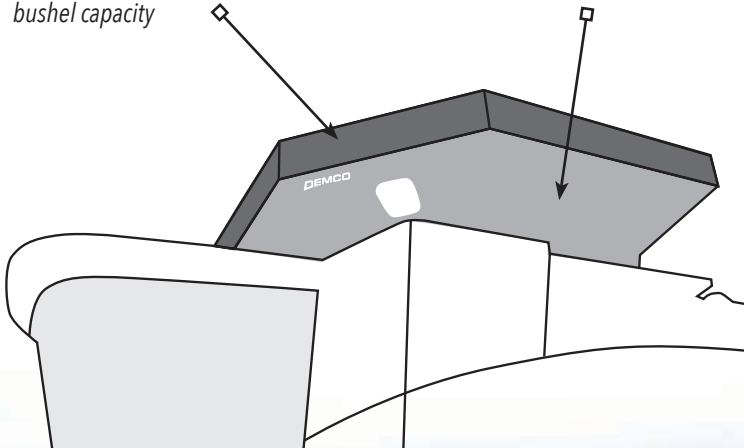


EXTENSIONS & TIP-UPS

*for many different makes
and models of combines*

Demco Grain Tank Tip-ups are vertical panels that add to either the Demco Grain Tank Extension or to the factory OEM extension for added bushel capacity

Demco Grain Tank Extension replaces the factory extension for added bushel capacity and lower clearance of the combine



Demco combine grain tank extensions and tip-ups are the best in the industry. Our high quality products will not only add to your combine's capacity, but also look great on the combine.

EXTENSIONS

We are proud to be the industry leading provider of grain tank extensions for combines. Demco grain tank extensions provide superior quality, fit, and finish.

TIP-UPS

We offer an extensive array of Tip-Up kits for your combine. A Demco Tip-Up is an economic way to add capacity to your combine and improve your harvest efficiency.



GRAIN TANK EXTENSION

Replaces the factory grain tank extension



XL GRAIN TANK EXTENSION

High capacity to increase harvest efficiency



MANUAL FOLD GRAIN TANK TIP-UPS

Adds capacity to the factory manual fold extension



POWER FOLD GRAIN TANK TIP-UPS

Adds capacity to the factory power fold extension



UNLOADING COMBINE AUGER EXTENDERS™

Easy outer end installation

Narrowing spout for strong grain stream

More clearance between combine and cart

*Available For: John Deere, Case, New Holland,
Massey, Cat & Gleaner*

Since 1996, Demco Manufacturing has distributed this Stewart Steel product through our dealership network. Quality engineered and built to provide years of service, extenders offer the ability to extend the unloading auger to allow for greater clearance between the header and cart.

This product is designed to fit a wide variety of combine models, and is available through Demco Manufacturing.

The "Extender" is a Trade Mark of Stewart Steel Inc. and is manufactured in Canada by Stewart Steel Inc.



Doing our Best to Provide You the Best! Located in Boyden and Spencer, Iowa, we know farming. Many of our employees also farm. It is this knowledge and experience that helps us understand that we need to listen to farmers to know what is needed to help them get the job done. All of our products – *sprayers, saddle tanks, grain carts, wagons, head transports, and combine tank extensions* – have been developed with customer feedback.

The information contained herein is general in nature and is not intended for specific application purposes. Demco Manufacturing reserves the right to make changes in specifications or products at any time without notice or obligation. Trailers pictured in this brochure may feature optional equipment.



Doing Our Best to Provide You the Best

4010 320th Street • Boyden, Iowa 51234

1.800.543.3626

www.demco-products.com