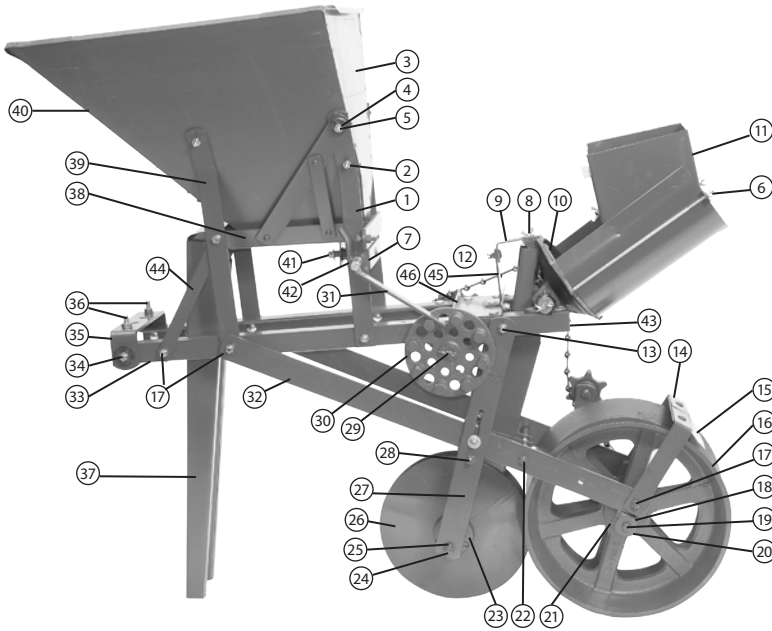




Illustrated Parts Catalog for Planter Models TP46 and TP66



Model TP46 and TP66 are available with several options. You have your choice of the Single Grain Attachment (Seed Can), the Duplex Grain Attachment or the Speed Master Duplex Grain Attachment. Both are also available with the Cotton Can and the Vegetable Drilling Attachment and with or without the fertilizer hopper.



Model TP46SLC Planter with Single Grain Attachment (Seed Can) and Fertilizer Hopper

Models TP46SLC and S come standard with the wood fertilizer box. An optional Polyethylene fertilizer box is also available.

NOT SHOWN

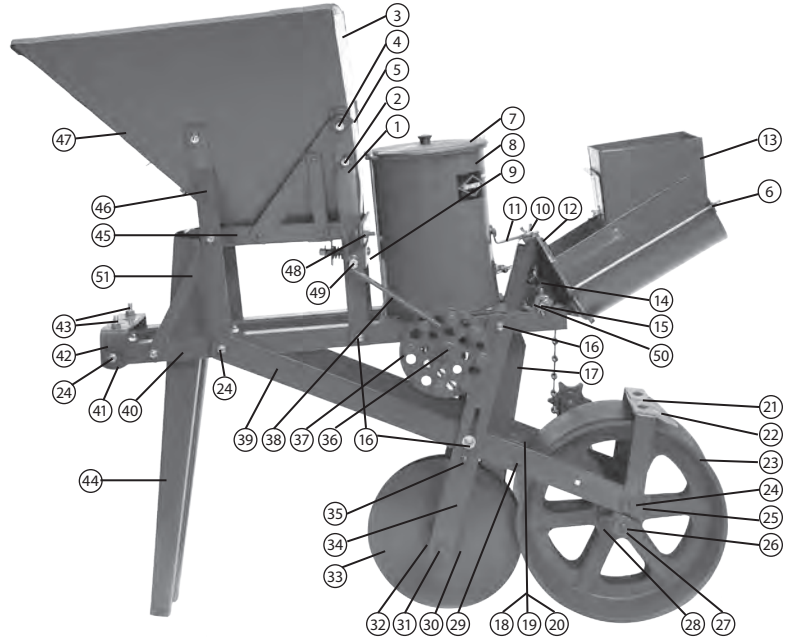
TP820	Fertilizer Box, Poly
TP821	Fertilizer Box, Poly, with Cut-off Gate
TP333	Steel Sprocket Chain, 5 ft Length

ITEM NO.	PART NO.	DESCRIPTION
1	TP88	Rear Fertilizer Box Brace
2	0514-1014	$\frac{5}{16}$ " X 1 $\frac{1}{2}$ " Carriage Bolt, ZP
	0815-1000	Nut, $\frac{5}{16}$ " Hex Heavy
3	TP86RA	Fertilizer Box End, (Metal) Rear
4	0514-1016	$\frac{5}{16}$ " X 1 $\frac{3}{4}$ " Carriage Bolt ZP
	0815-1000	Nut, $\frac{5}{16}$ " Hex Heavy
5	TP34	Vibrating Pan Bushing
6	TP65	Can Rod For Cotton Can & Grain Attachment, $\frac{1}{4}$ " X 12 $\frac{1}{2}$ "
	1112-0800	$\frac{1}{4}$ " Wing Nut For Can Rod
7	TP80	Vib Pan Yoke
8	0514-1006	$\frac{5}{16}$ " X $\frac{3}{4}$ " Carriage Bolt, ZP
	1112-1000	$\frac{5}{16}$ " Wing Nut
	001-1002	Washer, Flat $\frac{5}{16}$ "
9	TP93	Grain Attachment Bracket Holder
10	C900	Grain Attachment Bottom
11	TP94	Grain Attachment Seed Can
12	TP95	Grain Attachment Seed Spout
13	0514-1210	$\frac{3}{8}$ " X 1" NC, GR2, ZP Carriage Bolt
	0812-1200	$\frac{3}{8}$ " Hex Nut, ZP
14	TP56	Press Wheel Scrape Braces, Pair
15	TP55	Press Wheel Scrape
16	C845	Press Wheel, One Half
17	0514-1212	$\frac{3}{8}$ " X 1 $\frac{1}{4}$ " NC, GR2, ZP Carriage Bolt
	0812-1000	$\frac{3}{8}$ " Hex Nut, ZP
18	TP14	Presser Wheel, Shaft Bearing
19	0113-1210	$\frac{3}{8}$ " X 1" NC, GR2, Plain Hex Head Cap Screw
20	TP62	Steel Washer, 1 $\frac{5}{8}$ " X $\frac{19}{32}$ " For TP31 Shaft
21	003-8523	Fitting, Grease
22	0513-1284	$\frac{3}{8}$ " X 8 $\frac{1}{2}$ ", NC. GR2, Plain Carriage Bolt
	0812-1000	$\frac{3}{8}$ " Hex Nut, ZP
23	TP513	Disc Bearing
24	0812-1600	$\frac{1}{2}$ " NC, ZP Hex Nut

ITEM NO.	PART NO.	DESCRIPTION
25	TP49B	$\frac{3}{16}$ " X 10" Square Steel Axle For Disc Bearing
26	TP19	12" Opening Disc
27	TP50L	Opening Disc Brace, Left
	TP50R	Opening Disc Brace, Right
28	0513-1294	$\frac{3}{8}$ " X 9 $\frac{1}{2}$ " Carriage Bolt For Opening Disc
	0812-1600	$\frac{1}{2}$ " NC, ZP Hex Nut
29	TP38	Stirring Shaft Only, $\frac{7}{16}$ " X 10 $\frac{3}{4}$ "
	0812-1600	$\frac{1}{2}$ " NC, ZP Hex Nut
	2104-0610	$\frac{3}{16}$ " X 1" Cotter Pin
	TP48	Square Hole Washer(1 $\frac{1}{8}$ " X $\frac{19}{32}$ ") For Stirring And Dropping Shaft
30	TP2	Drive Vibrator
31	TP82A	Vibrating Arm Only
32	TP59	Press Wheel Pull Arm
33	TP35L	Main Angle Frame, 33 $\frac{3}{4}$ " Left
	TP35R	Main Angle Frame, 33 $\frac{3}{4}$ " Right
34	TP33	Pull Yoke Bearing
35	TP68	Front Pull Yoke
36	0514-1412	$\frac{7}{16}$ " X 1 $\frac{1}{4}$ " NC, GR2, ZP Carriage Bolt
	0812-1400	$\frac{7}{16}$ " Hex Nut, ZP
37	TP77	Fertilizer Spout
38	TP79A	Vibrating Pan Only
39	TP87	Front Fertilizer Box Brace
40	TP83A	Wood Fertilizer Box
	TP84B	Wood Fertilizer Box With Cut-Off Gate
41	0113-1210	$\frac{3}{8}$ " X 1" NC, GR2, Plain Hex Head Cap Screw
	0812-1200	$\frac{3}{8}$ " NC, ZP Hex Nut
42	0114-1424	$\frac{7}{16}$ " X 2 $\frac{1}{2}$ " NC, GR2, ZP Cap Screw
	0812-1400	$\frac{7}{16}$ " Hex Nut, ZP
43	TP1	Dropping & Stirring Shaft Bearing
44	TP87A	Box Steady Brace
45	TP97	Tilt Bracket Anchor
46	TP120	Yoke, Frame Spacer

Model TP46S Complete Planter with Single Grain Attachment (Seed Can), Fertilizer Hopper and Cotton Can with Vegetable Drilling Attachment

Models TP46SLC and S come standard with the wood fertilizer box. An optional Polyethylene fertilizer box is also available.



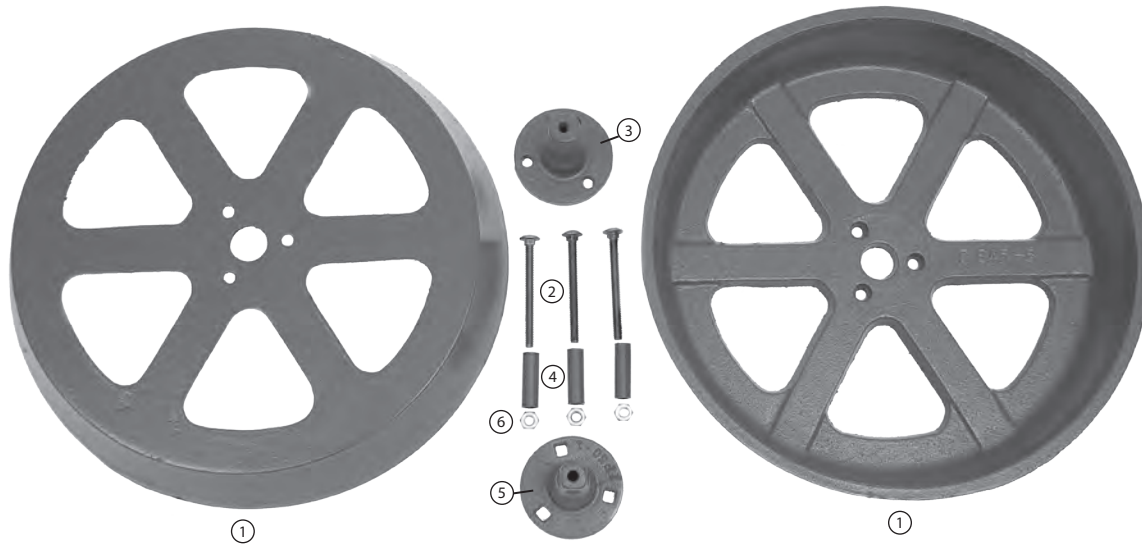
NOT SHOWN

TP820	Fertilizer Box, Poly
TP821	Fertilizer Box, Poly, with Cut-off Gate
TP333	Steel Sprocket Chain, 5 ft Length
C857	Main Can Ring

ITEM NO.	PART NO.	DESCRIPTION
1	TP88	Rear Fertilizer Box Brace
2	0514-1014	5/16" X 1 1/2" Carriage Bolt, ZP
	0815-1000	Nut, 5/16" Hex Heavy
3	TP86RA	Fertilizer Box End (Metal), Rear
4	0514-1016	5/16" X 1 3/4" Carriage Bolt ZP
	0815-1000	Nut, 5/16" Hex Heavy
5	TP34	Vibrating Pan Bushing
6	TP65	Can Rod For Cotton Can & Grain Attachment, 1/4" X 12 1/2"
	1112-0800	1/4" Wing Nut For Can Rod
7	TP36A	Cover For Cotton Can
8	TP36	Cotton Can (Round)
9	TP80	Vibrating Pan Yoke
10	0514-1006	5/16" X 3/4" Carriage Bolt, ZP
	1112-1000	5/16" Wing Nut
	001-1002	Washer, Flat 5/16"
11	TP93	Grain Attachment Bracket Holder
12	C900	Grain Attachment Bottom
13	TP94	Grain Attachment Seed Can
14	TP95	Grain Attachment Seed Spout
15	0514-1006	5/16" X 3/4" Carriage Bolt, ZP
	0815-1000	Nut, 5/16" Hex Heavy
16	0514-1210	3/8" X 1" NC, GR2, ZP Carriage Bolt
	0812-1200	3/8" Hex Nut, ZP
17	TP66	Seed Spout (Main)
18	TP52C	Pipe Space Bushing For Seed Spout Support, 3/8" X 1 1/2"
19	TP52B	Pipe Space Bushing For Seed Spout Support, 3/8" X 2 7/8"
20	TP619	Seed Spout Support Bracket For Cotton Can
21	TP56	Press Wheel Scrape Braces, Pair
22	TP55	Press Wheel Scrape
23	C845	Press Wheel, One Half
24	0514-1212	3/8" X 1 1/4" NC, GR2, ZP Carriage Bolt
	0812-1200	3/8" Hex Nut, ZP
25	TP14	Presser Wheel, Shaft Bearing
26	0113-1210	3/8" X 1" NC, GR2, Plain Hex Head Cap Screw
27	TP62	Steel Washer, 1 5/8" X 13/32" For TP31 Shaft

ITEM NO.	PART NO.	DESCRIPTION
28	003-8523	Fitting, Grease
29	0513-1284	3/8" X 8 1/2", NC. GR2, Plain Carriage Bolt
	0812-1200	3/8" Hex Nut, ZP
30	TP513	Disc Bearing
31	0812-1600	1/2" NC, ZP Hex Nut
32	TP49B	5/16" X 10" Square Steel Axle For Disc Bearing
33	TP19	12" Opening Disc
	TP50L	Opening Disc Brace, Left
	TP50R	Opening Disc Brace, Right
35	0513-1294	3/8" X 9 1/2" Carriage Bolt For Opening Disc
	0812-1600	1/2" NC, ZP Hex Nut
36	TP38	Stirring Shaft Only, 7/16" X 10 3/4"
	0812-1600	1/2" NC, ZP Hex Nut
	2104-0610	3/16" X 1" Cotter Pin
	TP48	Square Hole Washer (1 1/8" X 13/32") For Stirring And Dropping Shaft
37	TP2	Drive Vibrator
38	TP82A	Vibrating Arm Only
39	TP59	Press Wheel Pull Arm
40	TP35L	Main Angle Frame, 33 3/4" Left
	TP35R	Main Angle Frame, 33 3/4" Right
41	TP33	Pull Yoke Bearing
42	TP68	Front Pull Yoke
43	0514-1412	7/16" X 1 1/4" NC, GR2, ZP Carriage Bolt
	0812-1400	7/16" Hex Nut, ZP
44	TP77	Fertilizer Spout, Each
45	TP79A	Vibrating Pan Only
46	TP87	Front Fertilizer Box Brace
	TP83A	Wood Fertilizer Box
	TP84B	Wood Fertilizer Box With Cut-Off Gate
48	0113-1210	3/8" X 1" NC, GR2, Plain Hex Head Cap Screw
	0812-1600	1/2" NC, ZP Hex Nut
49	0114-1424	7/16" X 2 1/2" NC, GR2, ZP Cap Screw
	0812-1400	7/16" Hex Nut, ZP
50	TP1	Dropping & Stirring Shaft Bearing
51	TP87A	Box Steady Brace

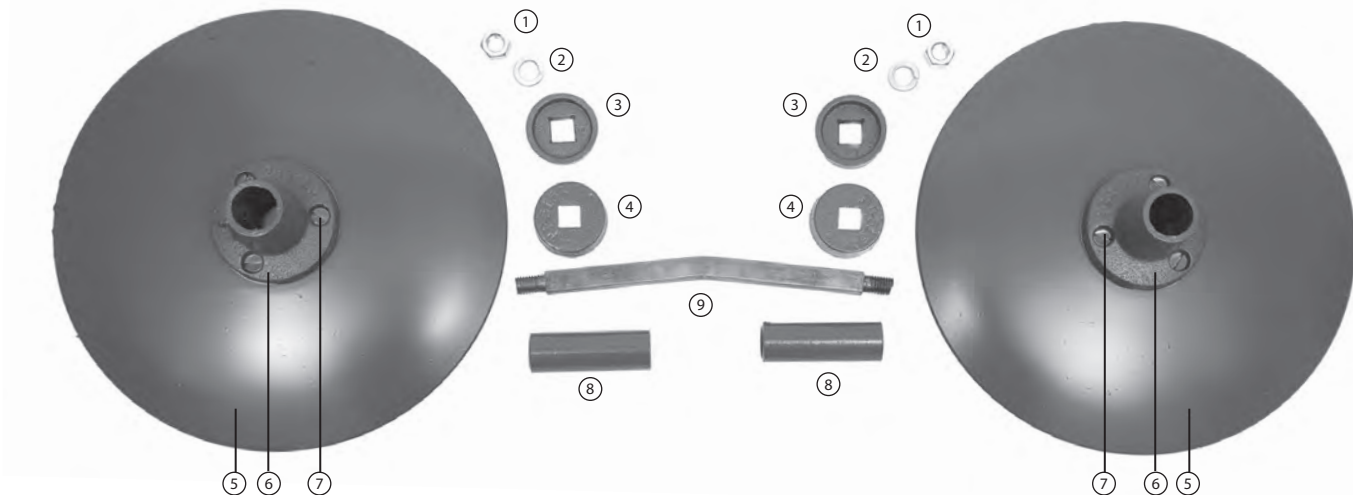
Press Wheel (TP46 Model Only)



ITEM NO.	PART NO.	DESCRIPTION
1	C845	Wheel Half, Presser
2	0513-1034	Bolt, 5/16" x 3 1/2" Carriage
3	TP30	Shaft, Presser Wheel - Sprocket End
4	TP57	Spacer, Presser Wheel Pipe, 1/4" x 1 3/4"

ITEM NO.	PART NO.	DESCRIPTION
5	TP31	Shaft, Presser Wheel, Plain End
6	0815-1000	Nut, 5/16" Hex
	NOT SHOWN	
	0113-1210	Bolt, 3/8" x 1" Hex Head

TP692A Opening Disc Assembly (TP46 Model Only)

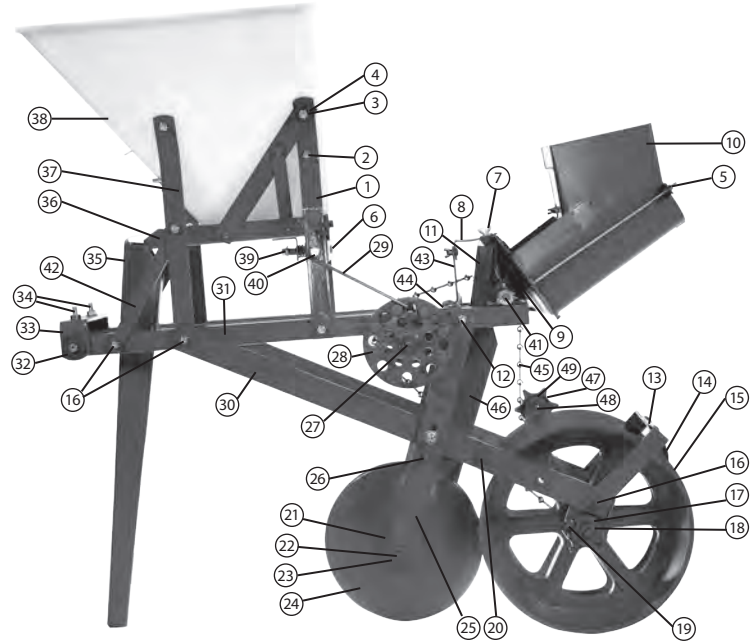


ITEM NO.	PART NO.	DESCRIPTION
1	0812-1600	1/2" NC, ZP Hex Nut
2	1604-1600	Lockwasher 1/2"
3	TP514	Disc Bearing Spacer
4	TP515	Disc Bearing End Cap
5	TP19	12" Opening Disc

ITEM NO.	PART NO.	DESCRIPTION
6	TP513	Disc Bearing W/ Grease Fitting
7	3114-0806	1/4" X 3/4" NC, GR2, ZP Fh M Screw
8	TP516	Pipe Bushing For TP513 3/4" X 3 1/8"
9	TP49B	5/16" X 10" Sq. Steel Axle For Disc Bearing
	NOT SHOWN	
	0812-0800	1/4" NC, ZP Hex Nut

Model TP66SLC Planter with Single Grain Attachment (Seed Can) and Fertilizer Hopper

Model TP66 comes standard with the Polyethylene fertilizer box and sealed bearings on the press wheel and opening disc.

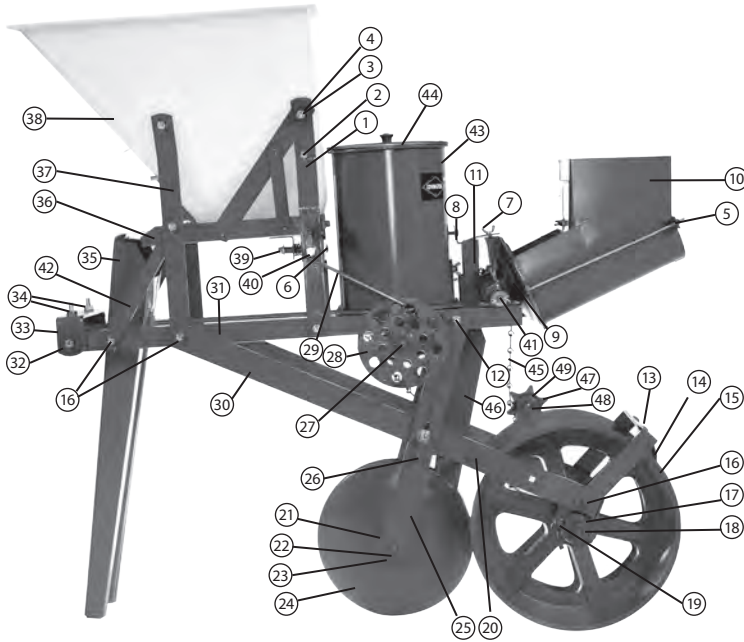


NOT SHOWN

TP731	6 Tooth Sprocket $\frac{5}{8}$ " Bore (To Be Used On Press Wheel)
TP732	8 Tooth Sprocket $\frac{5}{8}$ " Bore (To Be Used On Press Wheel)
TP733	10 Tooth Sprocket $\frac{5}{8}$ " Bore (To Be Used On Press Wheel)
TP734	12 Tooth Sprocket $\frac{5}{8}$ " Bore (To Be Used On Press Wheel)

ITEM NO.	PART NO.	DESCRIPTION
1	TP88	Rear Fertilizer Box Brace
2	0514-1014	$\frac{5}{16}$ " X 1 $\frac{1}{2}$ " Carriage Bolt, ZP
	0815-1000	$\frac{5}{16}$ " Heavy Hex Nut
3	0514-1016	$\frac{5}{16}$ " X 1 $\frac{3}{4}$ " Carriage Bolt, ZP
	0815-1000	$\frac{5}{16}$ " Heavy Hex Nut
4	TP34	Vibrating Pan Bushing
5	TP65	Can Rod For Cotton Can & Grain Attachment, $\frac{1}{4}$ " X 12 $\frac{1}{2}$ "
	1112-0800	$\frac{1}{4}$ " Wing Nut For Can Rod
6	TP80	Vibrating Pan Yoke
7	0514-1006	$\frac{5}{16}$ " X $\frac{3}{4}$ " Carriage Bolt, ZP
	1112-1000	$\frac{5}{16}$ " Wing Nut
	001-1002	$\frac{5}{16}$ " Flat Washer
8	TP93	Grain Attachment Bracket Holder
9	C900	Grain Attachment Bottom
10	TP94	Grain Attachment Seed Can
11	TP95	Grain Attachment Seed Spout
12	0514-1210	$\frac{3}{8}$ " X 1" NC, GR2, ZP Carriage Bolt
	0812-1200	$\frac{3}{8}$ " Hex Nut, ZP
13	TP56	Press Wheel Scrape Braces, Pair
14	TP55	Press Wheel Scrape
15	C845	Press Wheel, One Half
16	0514-1212	$\frac{3}{8}$ " X 1 $\frac{1}{4}$ " NC, GR2, ZP Carriage Bolt
	0812-1000	$\frac{3}{8}$ " Hex Nut, ZP
17	TP847	Press Wheel Bearing Housing
18	TP803	Press Wheel Bearing (Sealed) W/ Lock Collar
19	0514-1212	$\frac{3}{8}$ " X 1 $\frac{1}{4}$ " NC, GR2, ZP Carriage Bolt
20	0513-1284	$\frac{3}{8}$ " X 8 $\frac{1}{2}$ ", NC, GR2, Plain Carriage Bolt
	0812-1000	$\frac{3}{8}$ " Hex Nut, ZP
21	TP843	Disc Bearing Housing
22	TP812	$\frac{5}{16}$ " X 10" Hex Steel Axle
23	0812-1600	$\frac{1}{2}$ " Hex Nut, NC, ZP
24	TP19	12" Opening Disc
25	TP813L	Opening Disc Brace, Left
	TP813R	Opening Disc Brace, Right

26	0513-1294	$\frac{3}{8}$ " X 9 $\frac{1}{2}$ " Carriage Bolt For Opening Disc
	0812-1600	$\frac{1}{2}$ " NC, ZP Hex Nut
27	TP38	Stirring Shaft Only, $\frac{7}{16}$ " X 10 $\frac{3}{4}$ "
	0812-1600	$\frac{1}{2}$ " Hex Nut, NC, ZP
	2104-0610	$\frac{3}{16}$ " X 1" Cotter Pin
	TP48	Square Hole Washer (1 $\frac{1}{8}$ " X $\frac{1}{32}$ ") For Stirring And Dropping Shaft
28	TP2	Drive Vibrator
29	TP82A	Vibrating Arm Only
30	TP59	Press Wheel Pull Arm
31	TP35L	Main Angle Frame, 33 $\frac{3}{4}$ " Left
	TP35R	Main Angle Frame, 33 $\frac{3}{4}$ " Right
32	TP33	Pull Yoke Bearing
33	TP68	Front Pull Yoke
34	0514-1412	$\frac{7}{16}$ " X 1 $\frac{1}{4}$ " NC, GR2, ZP Carriage Bolt
	0812-1400	$\frac{7}{16}$ " Hex Nut, ZP
35	TP77	Fertilizer Spout
36	TP79A	Vibrating Pan Only
37	TP87	Front Fertilizer Box Brace
38	TP820	Polyethylene Fertilizer Box
	TP821	Polyethylene Fertilizer Box With Cut-Off Gate
39	0113-1210	$\frac{3}{8}$ " X 1" NC, GR2, Plain Hex Head Cap Screw
	0812-1600	$\frac{1}{2}$ " Hex Nut, NC, ZP
40	0114-1424	$\frac{7}{16}$ " X 2 $\frac{1}{2}$ " NC, GR2, ZP Cap Screw
	0812-1400	$\frac{7}{16}$ " Hex Nut, ZP
41	TP1	Dropping & Stirring Shaft Bearing
42	TP87A	Box Steady Brace
43	TP97	Tilt Bracket Anchor
44	TP120	Yoke, Frame Spacer
45	TP333	Steel Sprocket Chain, 5 Ft Length
46	TP66	Main Seed Spout
47	C864	6 Tooth Idler Sprocket
	C864B	Pipe Spacer, $\frac{1}{2}$ " X 1 $\frac{1}{8}$ " (Inside C864)
48	0514-1220	Bolt, $\frac{3}{8}$ " X 1 $\frac{3}{4}$ " Carriage With
	0812-1200	Nut, $\frac{3}{8}$ " Hex
49	TP745	Bracket, Steel Idler



Model TP66S Complete Planter with Single Grain Attachment (Seed Can), Fertilizer Hopper and Cotton Can with Vegetable Drilling Attachment

NOT SHOWN

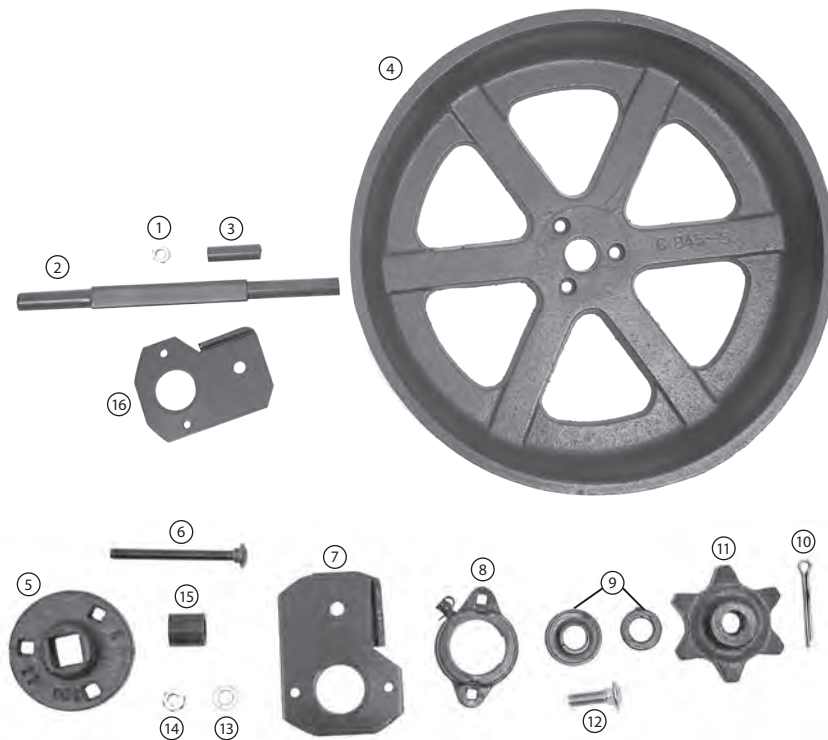
TP731	6 Tooth Sprocket 5/8" Bore (To Be Used On Press Wheel)
TP732	8 Tooth Sprocket 5/8" Bore (To Be Used On Press Wheel)
TP733	10 Tooth Sprocket 5/8" Bore (To Be Used On Press Wheel)
TP734	12 Tooth Sprocket 5/8" Bore (To Be Used On Press Wheel)

ITEM NO.	PART NO.	DESCRIPTION
1	TP88	Rear Fertilizer Box Brace
2	0514-1014	5/16" X 1 1/2" Carriage Bolt, ZP
	0815-1000	5/16" Heavy Hex Nut
3	0514-1016	5/16" X 1 3/4" Carriage Bolt, ZP
	0815-1000	5/16" Heavy Hex Nut
4	TP34	Vibrating Pan Bushing
5	TP65	Can Rod For Cotton Can & Grain Attachment, 1/4" X 12 1/2"
	1112-0800	1/4" Wing Nut For Can Rod
6	TP80	Vibrating Pan Yoke
7	0514-1006	5/16" X 3/4" Carriage Bolt, ZP
	1112-1000	5/16" Wing Nut
	001-1002	5/16" Flat Washer
8	TP93	Grain Attachment Bracket Holder
9	C900	Grain Attachment Bottom
10	TP94	Grain Attachment Seed Can
11	TP95	Grain Attachment Seed Spout
12	0514-1210	3/8" X 1" NC, GR2, ZP Carriage Bolt
	0812-1200	3/8" Hex Nut, ZP
13	TP56	Press Wheel Scrape Braces, Pair
14	TP55	Press Wheel Scrape
15	C845	Press Wheel, One Half
16	0514-1212	3/8" X 1-1/4" NC, GR2, ZP Carriage Bolt
	0812-1000	3/8" Hex Nut, ZP
17	TP847	Press Wheel Bearing Housing
18	TP803	Press Wheel Bearing (Sealed) W/ Lock Collar
19	0514-1212	3/8" X 1 1/4" NC, GR2, ZP Carriage Bolt
20	0513-1284	3/8" X 8 1/2", NC. GR2, Plain Carriage Bolt
	0812-1000	3/8" Hex Nut, ZP
21	TP843	Disc Bearing Housing
22	TP812	5/16" X 10" Hex Steel Axle
23	0812-1600	1/2" Hex Nut, NC, ZP
24	TP19	12" Opening Disc
25	TP813L	Opening Disc Brace, Left
	TP813R	Opening Disc Brace, Right

26	0513-1294	3/8" X 9 1/2" Carriage Bolt For Opening Disc
	0812-1600	1/2" NC, ZP Hex Nut
27	TP38	Stirring Shaft Only, 7/16" X 10 3/4"
	0812-1600	1/2" Hex Nut, NC, ZP
	2104-0610	3/16" X 1" Cotter Pin
	TP48	Square Hole Washer (1 1/8" X 1 1/2") For Stirring And Dropping Shaft
28	TP2	Drive Vibrator
29	TP82A	Vibrating Arm Only
30	TP59	Press Wheel Pull Arm
31	TP35L	Main Angle Frame, 33 3/4" Left
	TP35R	Main Angle Frame, 33 3/4" Right
32	TP33	Pull Yoke Bearing
33	TP68	Front Pull Yoke
34	0514-1412	7/16" X 1 1/4" NC, GR2, ZP Carriage Bolt
	0812-1400	7/16" Hex Nut, ZP
35	TP77	Fertilizer Spout
36	TP79A	Vibrating Pan Only
37	TP87	Front Fertilizer Box Brace
38	TP820	Polyethylene Fertilizer Box
	TP821	Polyethylene Fertilizer Box With Cut-Off Gate
39	0113-1210	3/8" X 1" NC, GR2, Plain Hex Head Cap Screw
	0812-1600	1/2" Hex Nut, NC, ZP
40	0114-1424	7/16" X 2 1/2" NC, GR2, ZP Cap Screw
	0812-1400	7/16" Hex Nut, ZP
41	TP1	Dropping & Stirring Shaft Bearing
42	TP87A	Box Steady Brace
43	TP499	Main Hopper Complete (Cotton Can)
44	TP36A	Cover For Main Hopper (Cotton Can)
45	TP333	Steel Sprocket Chain, 5 Ft Length
46	TP66	Main Seed Spout
47	C864	6 Tooth Idler Sprocket
	C864B	Pipe Spacer, 1/2" X 1 1/8" (Inside C864)
48	0514-1220	Bolt, 3/8" X 1 3/4" Carriage With
	0812-1200	Nut, 3/8" Hex
49	TP745	Bracket, Steel Idler

Press Wheel (Model TP66 Only)

ITEM NO.	PART NO.	DESCRIPTION
1	0815-1000	Nut, 5/16" Hex Heavy (Hn3)
2	TP818	Press Wheel Axle
3	TP57	Press Wheel Pipe Space Bushing - 1/4" X 1 3/4"
4	C845	Press Wheel, One Half
5	TP802	Press Wheel Hub, Square Bore
6	0513-1034	5/16" X 3 1/2" Carriage Bolt
7	TP817R	Press Wheel Bearing Hanger, Right
8	TP847	Housing, Press Wheel Bearing
9	TP803	Press Wheel Bearing (Sealed) With Lock Collar
10	3302-0520	5/32" X 2" Cotter Pin
11	TP731	6-Tooth Sprocket, 5/8" Bore
12	0513-0812	Bolt, 1/4" X 1 1/4" Carriage
13	1604-0800	1/4" Lockwasher
14	0812-0800	1/4" NC, ZP Hex Nut
15	TP819	Pipe Spacer For Pw Brg 7/8"
16	TP817L	Press Wheel Bearing Hanger, Left



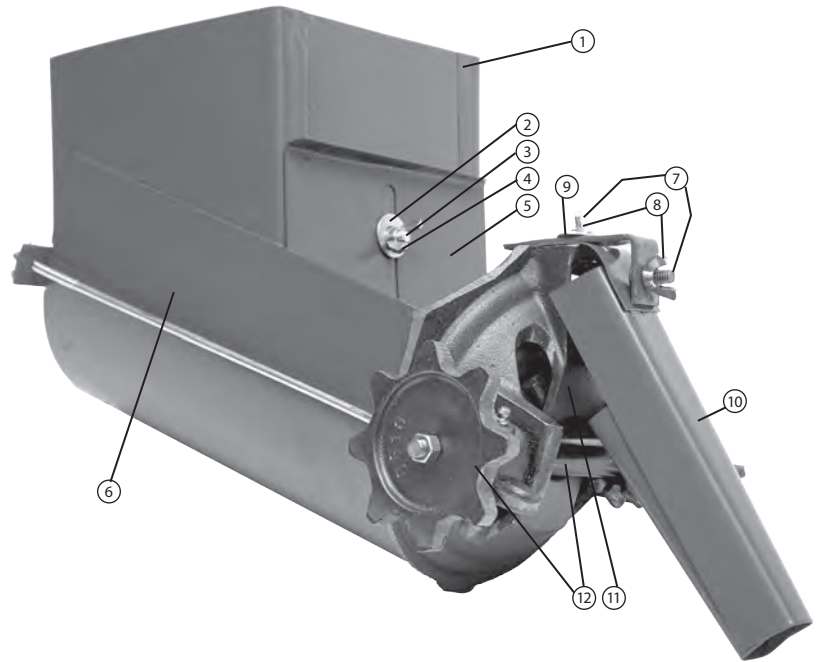
TP809 12" Opening Disk Assembly (Model TP66 Only)



ITEM NO.	PART NO.	DESCRIPTION
1	0812-1200	3/8" Hex Nut, ZP
2	TP813R	Opening Disc Brace, Right
3	TP51B	3/8" X 8" Pipe Space Bushing For Opening Disc
4	0812-0800	1/4" NC, ZP Hex Nut
5	TP19	12" Opening Disc
6	0513-1294	3/8" X 9 1/2" Carriage Bolt Plain
7	3114-0806	1/4" X 3/4" NC, GR2, ZP Fh M Screw
8	TP813L	Opening Disc Brace, Left
9	0812-1600	1/2" NC, ZP Hex Nut

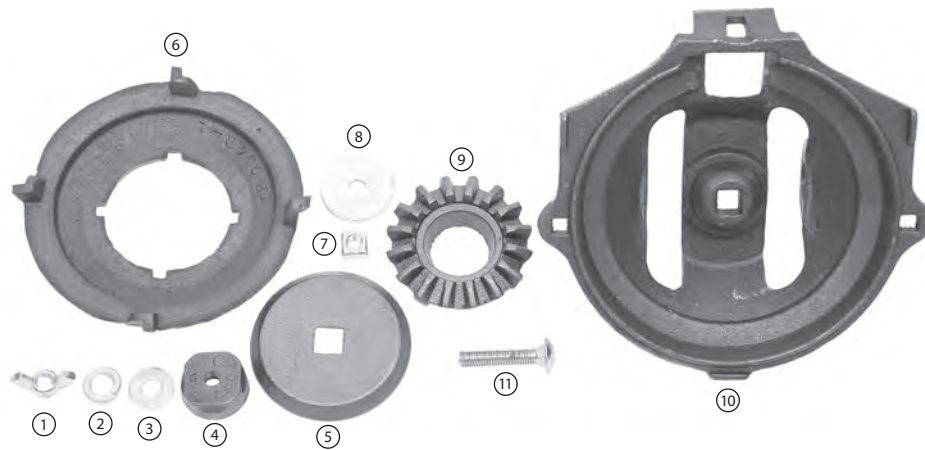
ITEM NO.	PART NO.	DESCRIPTION
10	1604-1600	Lockwasher 1/2"
11	TP811	Pipe Spacer For Disc Brg. 7/8" X 2 3/32"
12	TP843	Disc Bearing Housing
13	TP845	Disc Bearing Only (Hexagon) - Sealed
14	TP844	Back-Up Plate For TP843
15	TP810	Pipe Spacer For Disc Brg. 7/8" (Hex)
16	TP801	Disc Bearing Spacer, Hex Bore
17	TP812	3/16" X 10" Hex Steel Axle For Disc Bearing

Single Grain Attachment (Seed Can)



ITEM NO.	PART NO.	DESCRIPTION
1	TP94	Grain Attachment Seed Can
2	001-1002	Washer, Flat $\frac{5}{16}$ "
3	0514-1006	$\frac{5}{16}$ " X $\frac{3}{4}$ " Carriage Bolt, ZP
4	1112-1000	$\frac{5}{16}$ " Wing Nut
5	TP702	Adjusting Gate For G.A. Seed Can
6	TP65	Can Rod, $\frac{1}{4}$ " X 12 $\frac{1}{2}$ "
7	0514-1006	$\frac{5}{16}$ " X $\frac{3}{4}$ " Carriage Bolt, ZP
8	1112-1000	$\frac{5}{16}$ " Wing Nut
9	001-1002	Washer, Flat $\frac{5}{16}$ "
10	TP95	Grain Attachment Seed Spout
11	C900A	Grain Attachment Bottom Complete
12	TP91	GRAIN ATTACHMENT SHAFT COMPLETE

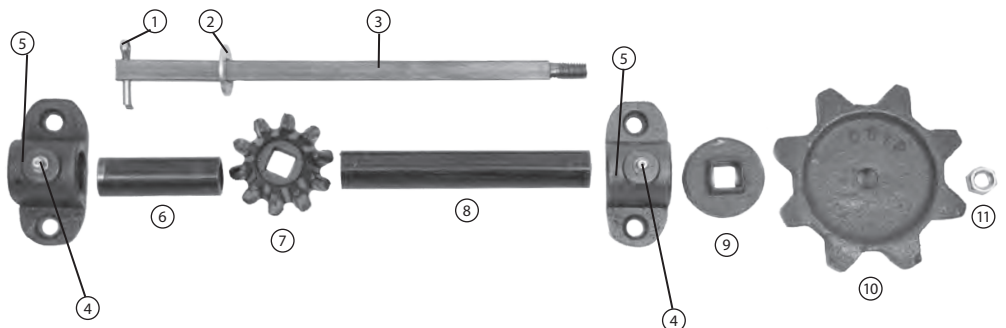
C900A Single Grain Attachment (Seed Can) Bottom



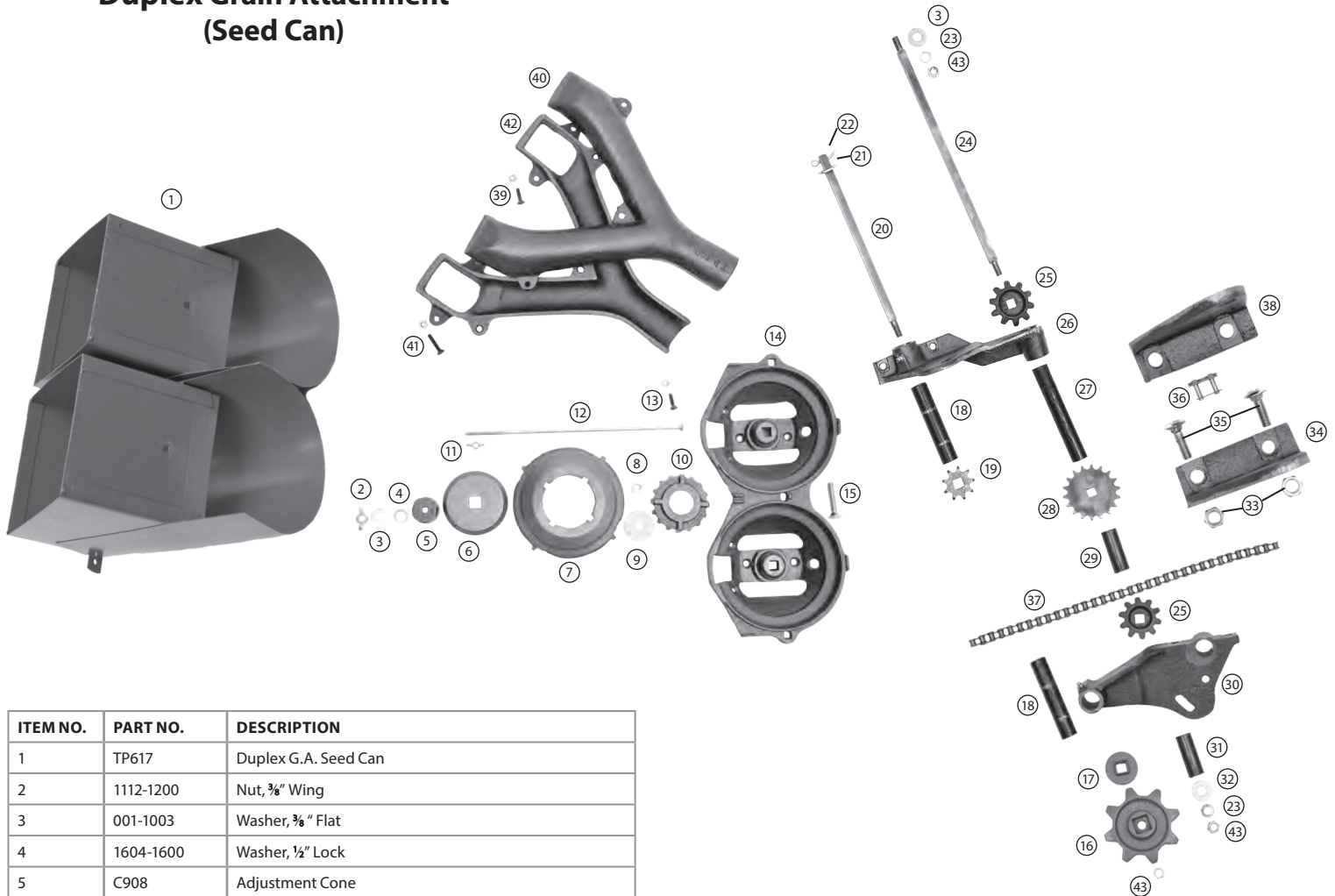
ITEM NO.	PART NO.	DESCRIPTION
1	1112-1200	$\frac{3}{8}$ " Wing Nut
2	1604-1600	Lockwasher $\frac{1}{2}$ "
3	001-1003	Washer, Flat $\frac{3}{8}$ " Xp X 1" O.d.
4	C908	Adjustment Cone
5	TP910	Plate Washer For Grain Attachment
6	TP904 R OR L	4 Cell Corn Plate
7	1212-1200	$\frac{3}{8}$ " Square Nut, NC, Std. H. P., ZP
8	TP63	Steel Plate Washer, 2" X $\frac{19}{32}$ "
9	C901-1	16-Tooth Plate Gear
10	C900	Grain Attachment Bottom
11	0514-1220	$\frac{3}{8}$ " X 2" NC, GR2, 2P Carriage Bolt

TP91 Single Grain Attachment Shaft Assembly

ITEM NO.	PART NO.	DESCRIPTION
1	2104-0610	$\frac{3}{16}$ " X 1" COTTER PIN
2	TP48	Square Hole Washer(1 $\frac{1}{4}$ " x $\frac{19}{32}$ ") for Stirring and Dropping Shaft
3	TP89	Grain Attachment Shaft Only, $\frac{7}{16}$ " x 10"
4	003-8533	Grease Fitting
5	TP1	Dropping & Stirring Shaft Bearing
6	TP91B	Pipe Space Bushing, $\frac{1}{2}$ " x 2 $\frac{1}{2}$ " for Grain Attachment Shaft
7	C804	10-Tooth Pinion Gear
8	TP91A	Pipe Space Bushing, $\frac{1}{2}$ " x 5 $\frac{5}{16}$ " for Grain Attachment Shaft
9	TP32	Sprocket Bushing (Insert for C818)
10	C818	8-Tooth Sprocket
11	0812-1200	$\frac{3}{8}$ " HEX NUT, ZP



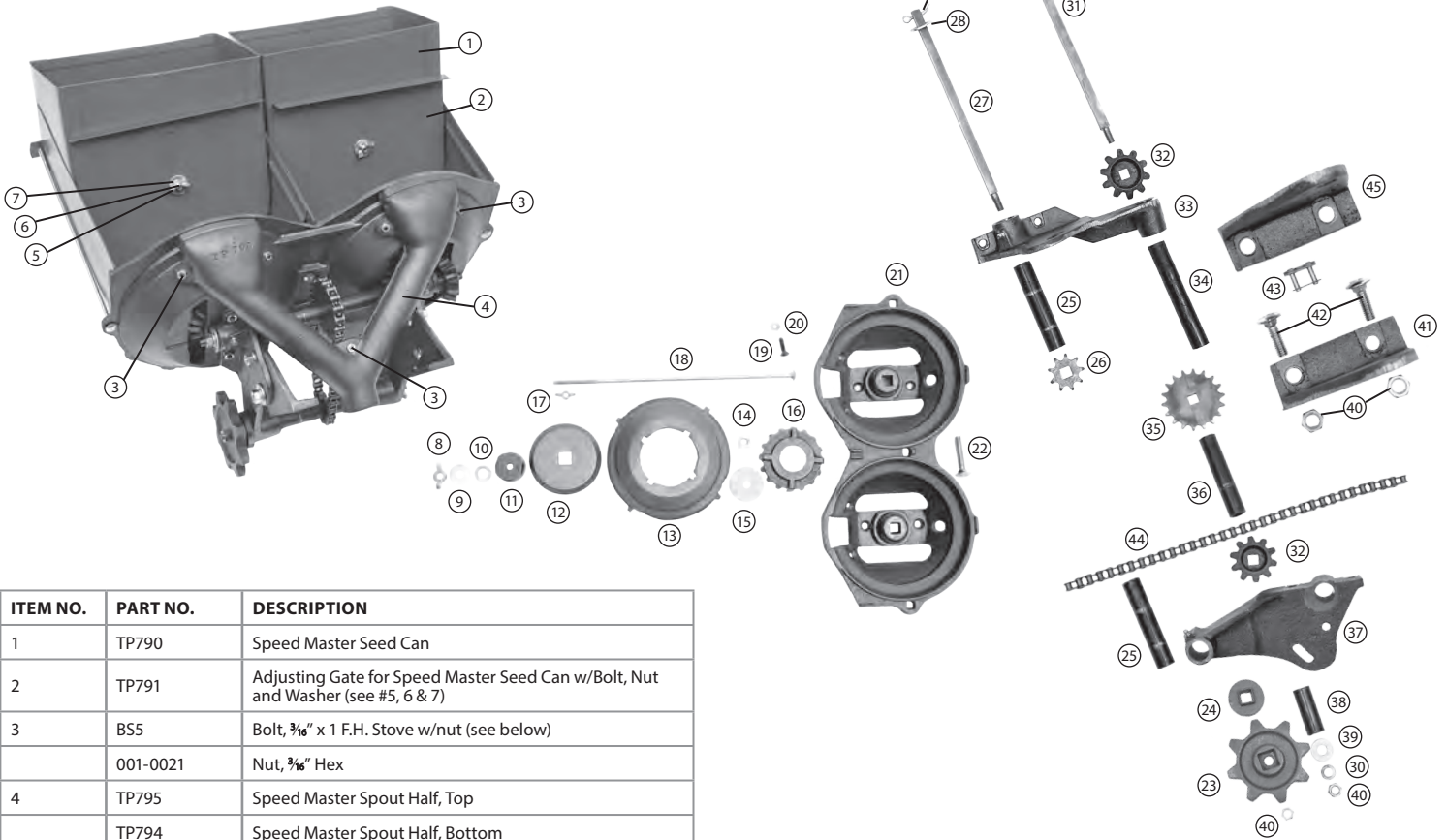
Duplex Grain Attachment (Seed Can)



ITEM NO.	PART NO.	DESCRIPTION
1	TP617	Duplex G.A. Seed Can
2	1112-1200	Nut, 3/8" Wing
3	001-1003	Washer, 3/8" Flat
4	1604-1600	Washer, 1/2" Lock
5	C908	Adjustment Cone
6	TP910	Plate Washer for Grain Attachment
7	TP904R & L	4 Cell Corn Plate, Right and Left
8	1212-1200	Washer, 1 9/32" x 2" Flat
9	TP63	Steel Plate Washer, 2" x 1 9/32"
10	C901-1	16-Tooth Plate Gear
11	1112-0800	Nut, 1/4" Wing (for TP65)
12	TP65	Can Rod, 1/4" x 12 1/2"
13	BS2	Bolt, 1/4" x 1" Flat Head Stove and
	0812-0800	Nut, 1/4" Hex and
	1604-0800	Washer, 1/4" Lock (Not Shown)
14	TP625-1	Duplex Grain Attachment Bottom
15	0514-1220	Bolt, 3/8" x 2" Carriage
16	C818	8-Tooth Sprocket
17	TP32	Sprocket Bushing (Insert for C818)
18	TP627	Pipe Space Bushing, 1/2" x 4 1/32", for Duplex G.A. Drive Shaft
19	TP607	9-Tooth Roller Chain Sprocket
20	TP89	Duplex G.A. Drive Shaft, 7/16" x 10"
21	TP48	Washer, 1 9/32" x 1 1/8" Square Hole Flat
22	2104-0610	Cotter Pin, 3/16" x 1"
23	1604-1200	Washer, 3/8" Lock
24	TP624	Duplex G.A. Main Shaft, 7/16" sq. x 11 3/8"
25	TP902	10 Tooth Pinion Gear
26	TP622L	Duplex G.A. Tilt Bracket, Left

ITEM NO.	PART NO.	DESCRIPTION
27	TP703	Pipe Space Bushing, Duplex G.A. Main Shaft, 1/2" x 4 27/32"
28	TP608	18 Tooth Roller Chain Sprocket
29	TP704	Pipe Space Bushing, for Duplex G.A. Main Shaft, 1/2" x 2 11/64"
30	TP622R	Duplex G.A. Tilt Bracket, Right
31	TP704	Pipe Space Bushing, 1/2" x 2 11/64", for Dup G.A. Main Shaft
32	001-1003	Washer, 1 9/32" x 1 1/8" Flat
33	0812-0800	Nut, 1/4" Hex Nut
34	TP623R	Duplex G.A. Attaching Bracket, Right
35	BS2	Screw, 1/4" x 1" Flat Head Machine
36	TP610	Connecting Link for Roller Chain
37	TP609	Roller Chain (17" length including connecting link)
38	TP623L	Duplex G.A. Attaching Bracket, Left
39	BS5	Bolt, 3/16" x 1" F.H. Stove and
	001-0004	Nut, 3/16"
40	TP700	Duplex G.A. Spout Half, Top
41	BS5	Bolt, 3/16" x 1" F.H. Stove and
	001-0004	Nut, 3/16"
42	TP701	Duplex G.A. Spout Half, Bottom
43	0812-1200	Nut, 3/8" Hex
	NOT SHOWN	
	TP702	Adjusting Gate for G.A. Seed Can with bolt, nut & washer

Speed Master Duplex Grain Attachment (Seed Can)



ITEM NO.	PART NO.	DESCRIPTION
1	TP790	Speed Master Seed Can
2	TP791	Adjusting Gate for Speed Master Seed Can w/Bolt, Nut and Washer (see #5, 6 & 7)
3	B55	Bolt, 3/16" x 1 F.H. Stove w/nut (see below)
	001-0021	Nut, 3/16" Hex
4	TP795	Speed Master Spout Half, Top
	TP794	Speed Master Spout Half, Bottom
5	1112-1000	Nut, 5/8" Wing (#5, 6 & 7 are included with #2)
6	0514-1006	Bolt, 5/16" x 3/4" Carriage
7	001-1003	Washer, 3/8" Flat
8	1112-1200	Nut, 3/8" Wing
9	001-1003	Washer, 3/8" Flat
10	1604-1600	Washer, 1/2" Lock
11	C908	Adjustment Cone
12	TP910	Plate Washer for Grain Attachment
13	TP807	6 Cell Corn Plate
14	1212-1200	Nut, 3/8" Square
15	TP63	Steel Plate Washer, 1 1/2" x 2"
16	C-901-1	16-Tooth Plate Gear
17	1112-0800	Nut, 1/4" Wing (For TP65)
18	TP65	Can Rod, 1/4" x 12 1/2"
19	BS2	Bolt, 1/4" x 1" F.H. Stove and
20	0812-0800	Nut, 1/4" Hex and
	1604-0800	Washer, 1/4" Lock (not shown)
21	TP780	Speed Master Duplex Bottom
22	0514-1220	Bolt, 3/8" x 2" Carriage
23	C818	8-Tooth Sprocket
24	TP32	Sprocket Bushing (Insert for C818)
25	TP627	Pipe Space Bushing, 1/2" x 4 1/2" for Drive Shaft
26	TP607	9-Tooth Roller Chain Sprocket
27	TP89	Drive Shaft, 7/16" x 10"
28	TP48	Washer, 1 5/8" x 1 1/8" Square Hole Flat

ITEM NO.	PART NO.	DESCRIPTION
29	2104-0610	Cotter Pin, 3/16" x 1"
30	1604-1200	Washer, 3/8" Lock
31	TP786	Speed Master Main Shaft, 7/16" x 13 1/2"
32	TP902	10-Tooth Pinion Gear
33	TP781L	Speed Master Tilt Bracket, Left
34	TP787	Pipe Space Bushing, 1/2" x 6 1/2" for Speed Master Main Shaft
35	TP608	18-Tooth roller chain Sprocket
36	TP788	Pipe Space Bushing, 1/2" x 3 5/8" for Speed Master Main Shaft
37	TP781R	Speed-Master Tilt Bracket, Right
38	TP789	Pipe Space Bushing, 1/2" x 1 7/8" for Speed Master Main Shaft
39	001-1003	Washer, 1 3/8" x 1 1/8" flat
40	0812-1200	Nut, 3/8" Hex
41	TP782R	Speed Master Attaching Bracket, Right
43	0514-1210	Bolt, 3/8" x 1" Carriage
43	TP610	Connecting Link for Roller Chain
44	TP785	Roller Chain (19" including connecting link)
45	TP782L	Speed Master Attaching Bracket, Left
	NOT SHOWN	
	TP793	Hose Clamp for Spout Extension (for TP792)
	TP792	Speed Master Spout Extension (Rubber)
	B55	Bolt, 3/16" x 1" F.H. Stove with
	001-0021	Nut, 3/16" Hex

**TP499
Main Hopper Complete
(Cotton Can)**

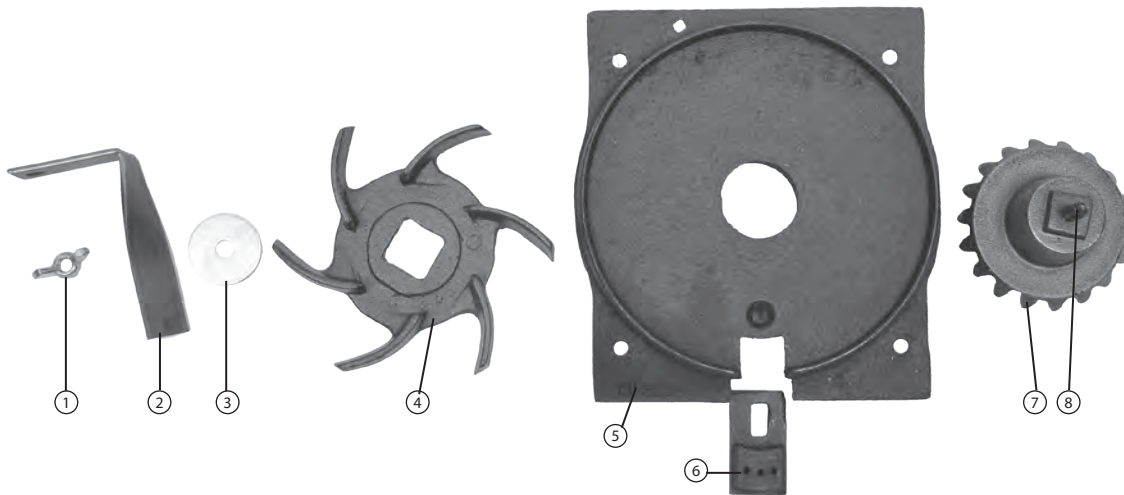
**TP495
Vegetable Drilling
Attachment**



To be used in the Cotton Can
(main hopper - TP499) for planting small seed
such as turnips, mustard, cabbage, etc.



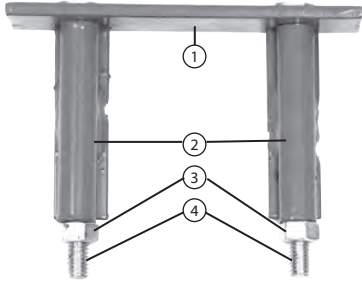
TP500A Main Hopper Bottom (Cotton Can) Complete



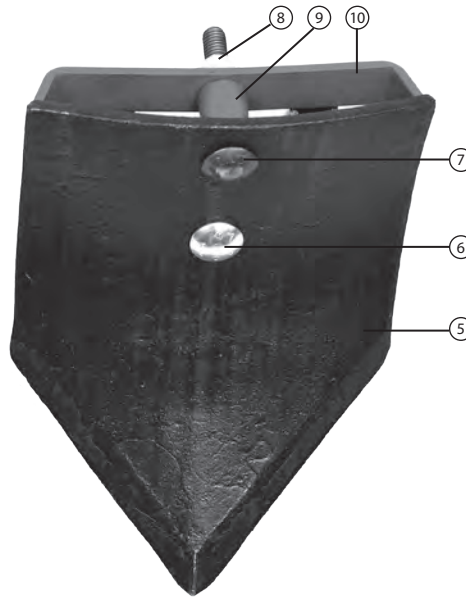
ITEM NO.	PART NO.	DESCRIPTION
1	1112-1200	$\frac{3}{8}$ Wing Nut
2	TP37	Seed Agitator For Cotton Can
3	TP63	Steel Plate Washer, 2" X $1\frac{13}{32}$ "
4	C853	Cotton Seed Stirrer
5	TP500	Main Hopper Bottom

ITEM NO.	PART NO.	DESCRIPTION
6	C802	Cotton Seed Conveyor
	3114-1010	$\frac{5}{16}$ X 1 Flat Head Machine Screw
	0815-1000	Nut, $\frac{5}{16}$ Hex Heavy
7	TP501	18-Tooth Plate Gear
8	0113-1212	$\frac{3}{8}$ X 1 $\frac{1}{4}$ NC, GR2, Plain Cap Screw

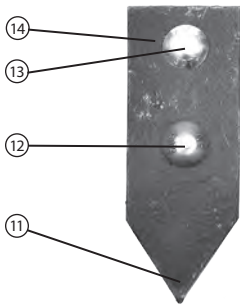
TP60 Assembly



TP70 Assembly



TP74 Assembly



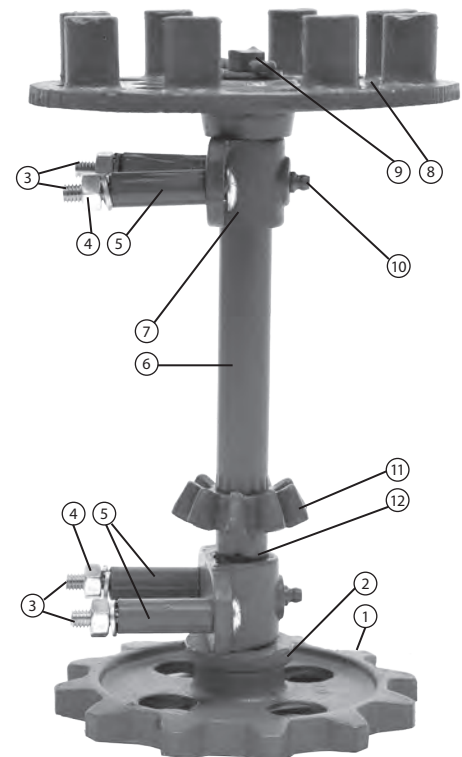
	ASSEMBLIES
TP60	Rear Lift Yoke Assembly - includes
	Item No. 1 through Item No. 4
	TP60A (1 each)
	TP60B (2 each)
	0812-1400 (2 each)
TP70	Opening Shovel Complete - includes
	Item No. 5 through Item 10
	TP69 (1 each)
	0513-1414 (1 each)
	0812-1400 (2 each)
	0513-1430 (1 each)
	TP70B (1 each)
TP70A (1 each)	
TP74	Cultivator Point complete with Bolts - includes
	Item No. 11 - Item No. 13
	TP73 (1 each)
	0513-1414 (1 each)
	0812-1400 (1 each)
	0513-1416 (1 each)
	0812-1400 (1 each)

ITEM NO.	PART NO.	DESCRIPTION
1	TP60A	Rear Lift Yoke Bracket
2	TP60B	Rear Lift Yoke Spacer
3	0812-1400	Nut, 7/16" Hex
4	0514-1450	Bolt, 7/16" x 5" Carriage
5	TP69	Opening Shovel - 7" x 10"
6	0513-1414	Bolt, 7/16" x 1 1/2" Carriage with
	0812-1400	Nut, 7/16" Hex (hidden)
7	0513-1430	Bolt, 7/16" x 3" Carriage with

8	0812-1400	Nut, 7/16" Hex
9	TP70B	Fertilizer Spout Yoke Spacer - 1/2" x 1" pipe
10	TP70A	Fertilizer Spout Yoke
11	TP73	Cultivator Point - 2 1/2" x 6"
12	0513-1414	Bolt, 7/16" x 1 1/2" Carriage with
	0812-1400	Nut, 7/16" Hex
13	0513-1416	Bolt, 7/16" x 1 3/4" Carriage with
14	0812-1400	Nut, 7/16" Hex (Hidden)

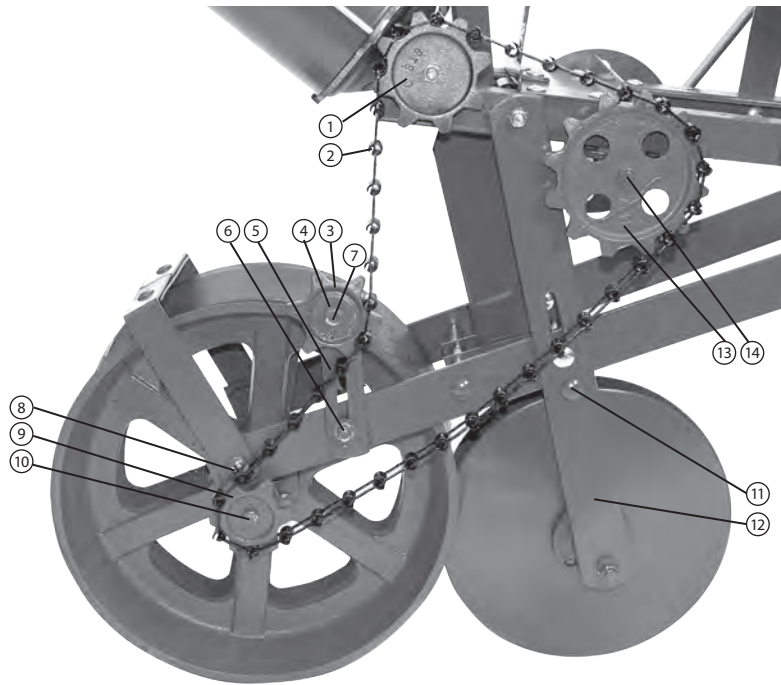
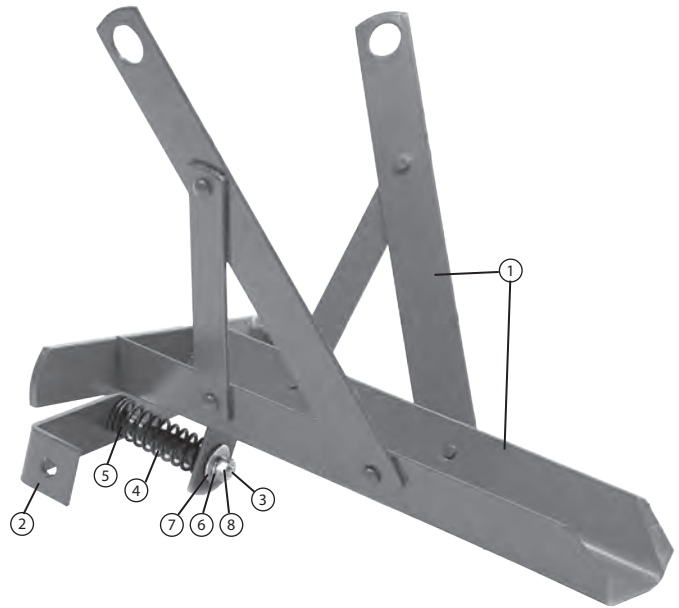
**TP40A
Stirring Shaft Assembly**

ITEM NO.	PART NO.	DESCRIPTION
1	TP7	12-Tooth Sprocket
2	TP32	Sprocket Bushing
3	0514-1024	3/16" X 2 1/2" Carriage Bolt ZP
4	0815-1000	Nut, 3/16" Hex Heavy
5	TP53	Pipe Bushing For Support Of Stirring Shaft, 1/4" X 1 7/16"
6	TP42	Pipe Space Bushing For Stirring Shaft, 1/2" X 5 5/8"
7	TP1	Dropping & Stirring Shaft Bearing
8	TP2	Drive Vibrator
9	TP38	Stirring Shaft, 7/16" X 10 3/4"
	2104-0610	3/16" X 1" Cotter Pin
	TP48	Square Hole Washer (1 1/8" X 1 5/32") For Stirring And Dropping Shaft
	0812-1200	3/8" Hex Nut, ZP
10	003-8523	Fitting, Grease
11	TP502	Pinion Gear, 9 Tooth
12	TP41	Pipe Space Bushing For Stirring Shaft, 1/2" X 1 15/16"



TP79 Fertilizer Vibrating Pan Assembly

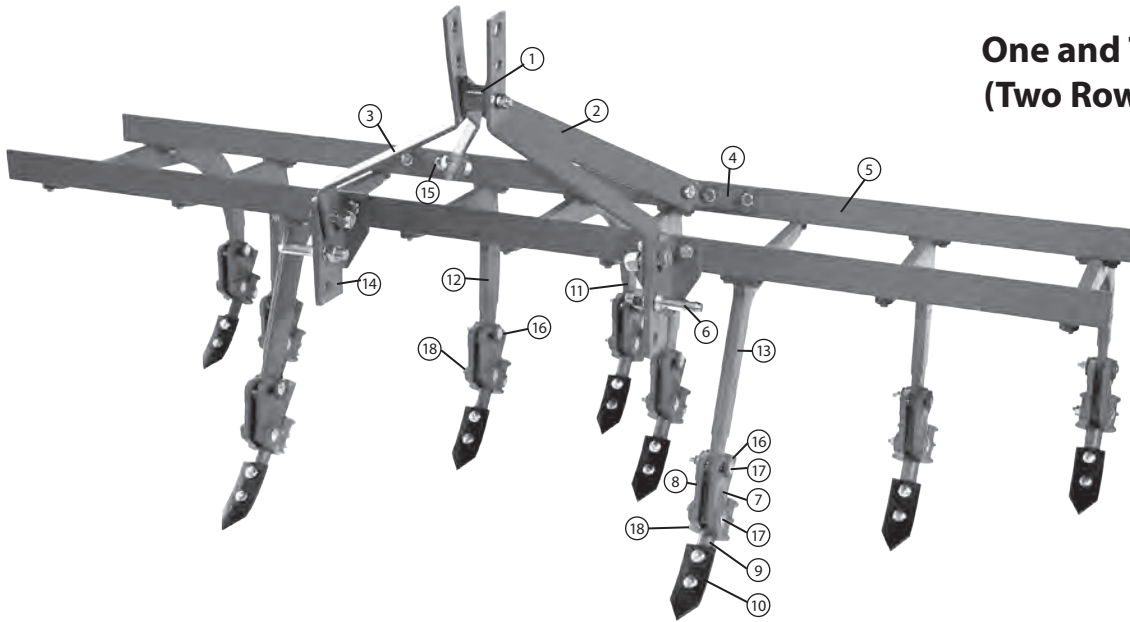
ITEM NO.	PART NO.	DESCRIPTION
1	TP79A	Vibrating Pan Only
2	TP80	Vibrating Pan Yoke
3	0514-1036	5/16" X 3 3/4" Carriage Bolt, ZP
4	TP78	No. 2 Vibrator Spring
5	TP81	Vib Pan Bushing
6	001-1251	Washer, Lock, 5/16" ZP
7	001-1002	Washer, Flat 5/16"
8	0815-1000	Nut, 5/16" Hex Heavy



**Close up showing other
side of planter
Model TP46 or TP66**

ITEM NO.	PART NO.	DESCRIPTION
1	C818	Sprocket, 8 Tooth
2	TP333	#33 Chain, 5 Ft.
3	C864	Sprocket, 6 Tooth Idler
	C864B	Pipe Spacer, 1/2" x 1 1/2" for Idler (Inside C864)
4	TP62	Washer, 13/32" x 1 5/8" Flat
5	TP745	Bracket, Steel Idler
6	0514-1210	Bolt, 3/8" x 1" Carriage with
	0812-1200	Nut, 3/8" Hex
7	0514-1220	Bolt, 3/8" x 1-3/4" Carriage with
	0812-1200	Nut, 3/8" Hex

ITEM NO.	PART NO.	DESCRIPTION
8	0113-1212	Bolt, 3/8" x 1 1/4" Hex Head with
	0812-1200	Nut, 3/8" Hex
9	C817	Sprocket, 6 Tooth
10	0113-1210	Bolt, 3/8" x 1" Hex Head
11	0513-1294	Bolt, 3/8" x 9 1/4" Hex Head with
	0812-1200	Nut, 3/8" Hex
12	TP50R	Brace, Opening Disc - Right
13	TP7	Sprocket, 12 Tooth
14	TP38	Shaft, Stirring, 7/16" Square x 10 3/4" with
	0812-1200	Nut, 3/8" Hex



One and Two Row Cultivator (Two Row Cultivator Shown)

DPE A1 - Cultivator A-Frame Mast Complete consists of:
DPE 32 (2 each)
DPE 24 (2 each)
DPE 9009 (1 each)
DPE 9500 (2 each)
DPE 9100 (1 each)
DPE 9101 (1 each)

ITEM NO.	PART NO.	DESCRIPTION
1	DPE 9009	Spacer (Bushing)
2	DPE 24	Rear Strut - Right or Left
3	DPE 32	Front Strut - Right or left
4	DPE 9101	Rear Attaching Bracket for Left Strut
5	DPE 3	57" Main Cultivator Rail - One Row
	DPE 4	85" Main Cultivator Rail - Two Row
6	DPE 9010	Lift Pin
7	DPE 5	Cuff (Pork Chop) Left
8	DPE 6	Cuff (Pork Chop) Right
9	DPE 7	Stem
10	TP74	Cultivator Point (2 1/2" x 6") with Bolts
11	DPE M4	Rear Shank
12	DPE M3	"C" Shank
13	DPE M1	Opening Shank
14	DPE 9500	Pull Bracket - Right or Left
15	DPE 9100	Rear Attaching Bracket for Right Strut
16	DPE 8	Alligator Washer
17	0514-1430	7/16" x 3" Carriage Bolt
18	001-7135	7/16" Nut

PART NO.	DESCRIPTION
DPE M1	Opening Shank
DPE M3	"C" Shank
DPE M4	Rear Shank
DPE 3	57" Rail (Main Cultivator Rail - One Row)
DPE 4	85" Rail (Main Cultivator Rail - Two Row)
DPE 5	Cuff (Pork Chop) Left
DPE 6	Cuff (Pork Chop) Right
DPE 7	Stem
DPE 8	Alligator Washer
DPE M10	Opening Shank Assembly
DPE M30	"C" Shank Assembly
DPE M40	Rear Shank Assembly
DPE 204	Bearing for Coulters Hub (One)
DPE 25206	Hub (only) for Coulters (One)
DPE 9	Hub with bearings for Coulters (One Pair)
DPE 10	Coulters Blade (20")
DPE 12	Main Coulters Bracket
DPE 13	Coulters Arm (One)
DPE 14	Coulters Brace (One)
0516-1220	3/4" - 10 x 5" Bolt for Coulters
DPE A1	"A" Frame Complete (3 Point Hitch)
DPE 24	Rear Right or Left Strut
DPE 32	Front Right or Left Strut
DPE 9500	Right or Left Pull Bracket
DPE 9100	Rear Attaching Bracket for Right Strut
DPE 9101	Rear Attaching Bracket for Left Strut
DPE 9009	Spacer (Bushing)
DPE 9010	Lift Pin
B46-668	Mounting Bracket to Mount 12MX Planter to Cultivator
0514-1424	7/16" x 2 1/2" Carriage Bolt (Bolts that go with Alligator Washers)
001-7134	7/16" x 1 3/4" Hex Head Bolt for Cultivator
001-7135	7/16" - 14 Nut
NOTE:	SHANK ASSEMBLIES include the Shank, Left and Right Cuffs (Pork Chops), 3 Carriage Bolts w/nuts, and 2 Alligator Washers

ALL OTHER BOLTS AND NUTS USED ON CULTIVATOR

	001-7134	7/16" x 1 3/4" Hex Head Carriage Bolt
	001-7135	7/16" Nut
	0812-1200	3/8" Hex Nut, ZP

CULTIVATOR AND PARTS

PART NO.	DESCRIPTION
COV-5S	1 Row Cultivator with 5 Rigid Shanks / 57" Wide , 15" Deep, 24 1/2" high
COV-9S	2 Row Cultivator with 9 Rigid Shanks / 85" Wide , 15" Deep, 24 1/2" high
TP74	Cultivator Point (2 1/2" X 6") w/Bolts
DPE 2	Coulters Assembly (Coulters, Arms & Hub)

Seed Plate Suggestion List

PLATE SUGGESTION	SINGLE	STANDARD DUPLEX	SPEED MASTER
BUTTERBEAN	TP528 (10 Cell)	TP528 (10 Cell)	TP828 (10 Cell)
LIMA BEANS	TP528 (10 Cell)	TP528 (10 Cell)	TP828 (10 Cell)
ENGLISH PEAS	TP528 (10 Cell)	TP528 (10 Cell)	TP828 (10 Cell)
FORD HOOK BEANS	TP538 (10 Cell) (GRIND)	TP538 (10 Cell) (GRIND)	TP838 (10 Cell) (GRIND)
CORN, SWEET (MOST)			
SILVER QUEEN	TP527 (10 Cell)	TP527 (10 Cell)	TP827,TP828,TP829 (10 Cell)
MERRITT	TP527 OR TP528 (10 CELL)	TP527 OR TP528 (10 CELL)	TP827 OR TP828 (10 CELL)
MED FLAT	TP525 (10 Cell)	TP525 (10 Cell)	TP825 (10 Cell)
MIXED MED	TP525 (10 Cell)	TP525 (10 Cell)	TP825 (10 Cell)
FLAT & SMALL ROUND	TP527 (10 Cell)	TP527 (10 Cell)	TP827 (10 Cell)
LARGE FLAT	TP538 (10 Cell),TP904 (4 Cell) or TP907 (6 Cell)	TP538 (10 Cell),TP904 (4 Cell) or TP907 (6 Cell)	TP838 (10 Cell), TP804 (4 Cell) or TP807 (6 Cell)
SMALL ROUND	TP527 (10 Cell)	TP527 (10 Cell)	TP827 (10 Cell)
MEDIUM ROUND	TP528 (10 Cell)	TP528 (10 Cell)	TP828 (10 Cell)
LARGE ROUND	TP529 (10 Cell)	TP529 (10 Cell)	TP829 (10 Cell)
INDIAN CORN (SMALL RD.)	TP531 (16 Cell)	TP531 (16 Cell)	TP831 (21 Cell)
FIELD CORN	TP548 (37 Cell)	TP548 (37 Cell)	TP848 (50 Cell)
FIELD PEA			
SMALL	TP527 (10 Cell)	TP527 (10 Cell)	TP827 (10 Cell)
MEDIUM	TP528 (10 Cell)	TP528 (10 Cell)	TP828 (10 Cell)
EXTRA LARGE	TP529 (10 Cell)	TP529 (10 Cell)	TP829 (10 Cell)
BLACK-EYED PEAS	TP527 (10 Cell)	TP527 (10 Cell)	TP827 (10 Cell)
PURPLE HULL PEAS	TP527 (10 Cell)	TP527 (10 Cell)	TP827 (10 Cell)
PEANUTS	TP532 (16 Cell)	TP532 (16 Cell)	TP837 or TP839
OKRA	TP527 (10 Cell)	TP527 (10 Cell)	TP827 (10 Cell)
SOYBEANS	TP530 (16 Cell) or TP548 (37 Cell)	TP530 (16 Cell) or TP548 (37 Cell)	TP848 (50 Cell)
SNAP BEANS, STRING BEANS	TP528 (10 Cell)	TP528 (10 Cell)	TP828 (10 Cell)
ROMA BEANS	TP528 (10 Cell)	TP528 (10 Cell)	TP828 (10 Cell)
WATERMELON	TP540 (2 Cell)	TP540 (2 Cell)	TP840 (2 Cell)
CHUFA	TP906 (16 Cell)	TP906 (16 Cell)	TP838 (10 Cell)
LADY FINGER PEAS	TP534 (10 Cell)	TP534 (10 Cell)	TP827 (10 Cell)
PUMPKIN			
LARGE SEED	TP540 (2 Cell)	TP540 (2 Cell)	TP840 (2 Cell)
CONNECTICUT FIELD	TP540 (2 Cell)	TP540 (2 Cell)	TP840 (2 Cell)
MILLO (SORGHUM), MILLET	TP531 (16 Cell)	TP531 (16 Cell)	TP831 (21 Cell)
LARGE GOURDS	TP540 (2 Cell)	TP540 (2 Cell)	TP540 (2 Cell)
SUNFLOWERS & SORGHUM	TP550 (16 Cell)	TP550 (16 Cell)	TP850 (21 Cell)
EGYPTIAN WHEAT	TP531 (16 Cell)	TP531 (16 Cell)	TP831 (21 Cell)
SPECIALTY PLATES	TP904SP (4 Cell) or TP907SP (6 Cell)	TP904SP (4 Cell) or TP907SP (6 Cell)	TP804SP (4 Cell) or TP807SP (6 Cell)
CANTELOUPE	*****	*****	*****
CUCUMBERS	*****	*****	*****
CILANTRO	*****	*****	*****
WATERMELON (SM SEED)	*****	*****	*****
SQUASH	*****	*****	*****
PUMPKIN (SM SEED)	*****	*****	*****
*****GRINDING FEE WILL BE CHARGED FOR EACH SPECIALTY PLATE*****			
TURNIPS AND COLLARDS	MUST HAVE TP499 (MAIN COTTON CAN)		
	AND TP495 (VEGETABLE DRILLING ATTACHMENT)		
PLATES THAT COME STANDARD WITH PLANTERS:			
Single Grain Attachment	TP525, TP527, TP528, TP904 & TP907		
Standard Duplex	Same As Single But Two Of Each Plate		
Speed Master Duplex	TP807, TP825, TP827 & TP828 - Two Of Each Plate		

Table of Distances

Spacing Given in Inches

This Chart Applies to the Single, the Duplex and the Speed Master Duplex Grain Attachment (Seed Can)

SPROCKET	2 CELL PLATE	4 CELL PLATE	6 CELL PLATE	8 CELL PLATE	10 CELL PLATE	16 CELL PLATE	20 CELL PLATE	21 CELL PLATE	28 CELL PLATE	36 CELL PLATE	37 CELL PLATE	48 CELL PLATE	50 CELL PLATE
12 x 6	20	10	6.7	5	4	2.5	2	1.9	1.4	1.1	1.1	0.8	0.8
10 x 6	24	12	8	6	4.8	3	2.4	2.3	1.7	1.3	1.3	1	1
12 x 8	28	14	9.4	7	5.6	3.5	2.8	2.7	2	1.6	1.5	1.2	1.1
8 x 6	30	15	10	7.5	6	3.8	3	2.8	2.1	1.7	1.6	1.2	1.2
10 x 8	32	16	10.7	8	6.4	4	3.2	3	2.3	1.8	1.7	1.3	1.3
12 x 10	34	17	11.3	8.5	6.8	4.2	3.4	3.2	2.4	1.9	1.8	1.4	1.4
8 x 8	40	20	13.3	10	8	5	4	3.8	2.9	2.2	2.2	1.7	1.6
10 x 12	48	24	16	12	9.6	6	4.8	4.6	3.4	2.7	2.6	2	1.9
8 x 10	50	25	16.7	12.5	10	6.2	5	4.8	3.6	2.8	2.7	2.1	2
6 x 8	54	27	18	13.5	10.8	6.8	5.4	5.1	3.9	3	2.9	2.3	2.2
8 x 12	60	30	20	15	12	7.5	6	5.7	4.3	3.3	3.2	2.5	2.4
6 x 10	68	34	22.7	17	13.6	8.5	6.8	6.5	4.8	3.8	3.7	2.8	2.7
6 x 12	80	40	26.7	20	16	10	8	7.6	5.7	4.4	4.3	3.3	3.2

— Number of teeth on the sprocket on the grain attachment (seed can)

 — Number of teeth on the sprocket on the press wheel

Planting Tips

- Be sure to use the correct seed plate for the size seed you are planting. (Refer to Seed Plate Suggestion List)
- When planting make sure seed depth is correct.
- When planting, if you see cracked seed in hopper or see seed being thrown out of seed can, you are using the wrong seed plate for the type seed you are trying to plant.
- When changing plates, make sure seed plate is not TOO tight. Make sure you have movement clockwise and counterclockwise. Hold the C908 cone adjuster with one hand and tighten washer down with other hand. Rotate press wheels with your hands and make sure you have a smooth operation.
- Make sure you are using correct gears to get correct spacing. (Refer to Table of Distances)
- Keep seed gate down when planting to prevent seed from going out the side of the planter seed hopper.
- Make sure chain is not TOO tight and idler is pushing down on chain.
- Make sure planter is level and has room to "float" with the contour of the soil.
- DO NOT let opening shovel go too deep which will gouge out a hole and allow fertilizer to go to bottom of furrow.
- Make sure the soil is not too damp. You will have problems covering up your seed if the soil is too damp. The soil has to be pressed down into the seed opening.
- If the soil has been excessively tilled you may have problems with the press wheel not turning correctly because of the loose soil.
- Always let your planter down SLOWLY to start your rows. This helps prevent clogging of your fertilizer and seed spouts.
- Make sure your fertilizer spouts are no more than 1/2" below the mounting bracket (TP70A) on your opening shovel to prevent clogging of your spouts.
- When using a planter with fertilizer...listen for the Covington "knock". If you do not hear it, your planter is not working correctly.
- Fertilizer Rates - Gate all the way down yields 225# per acre
 Gate opening 1/4" yields 450# per acre



Covington Planter Company, Inc.
 410 Hodges Avenue, Albany, GA 31701
 229.888.2032
 covingtonplanter.com

©2014 Covington Planter Co., Inc.