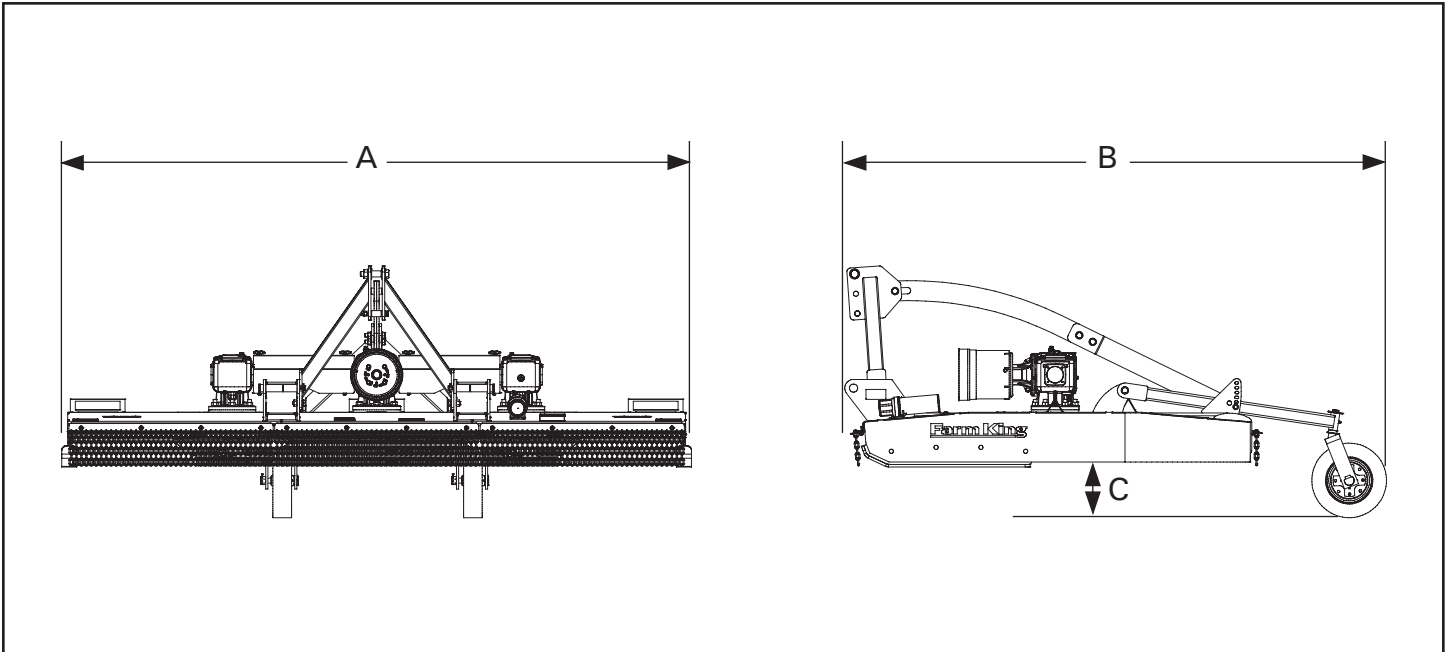


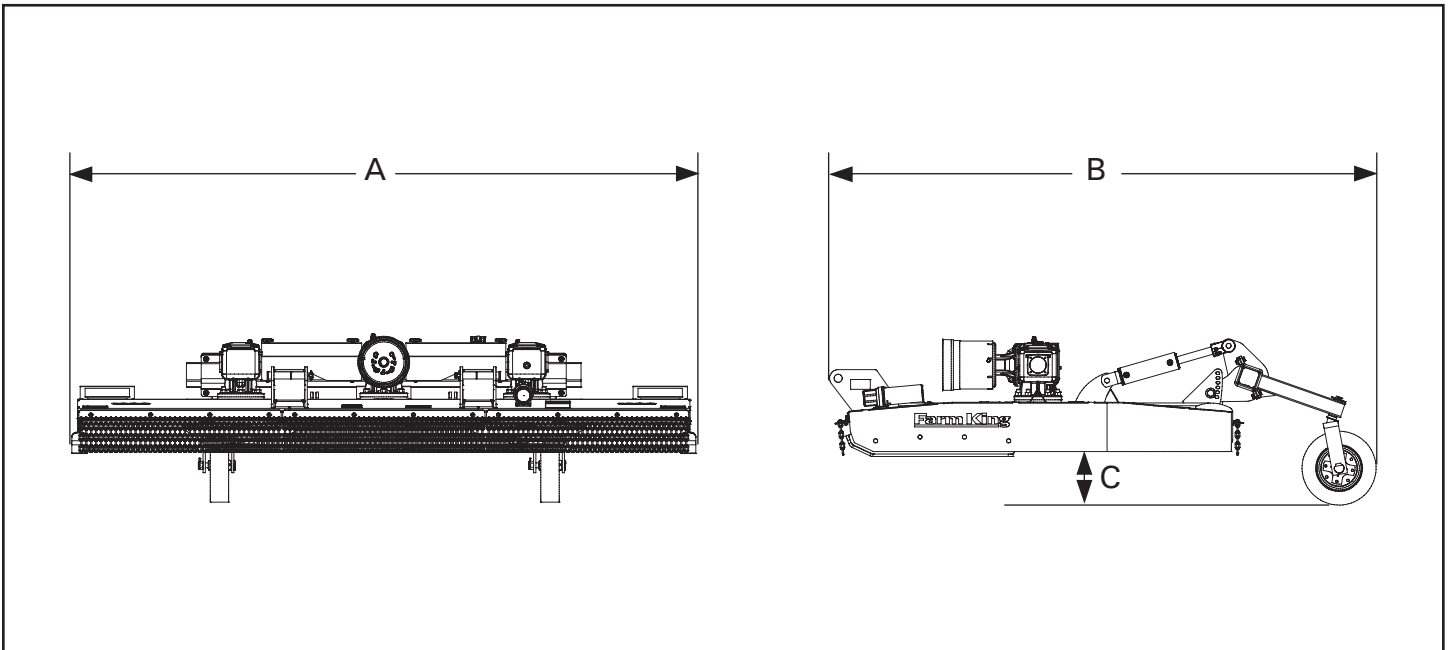
Specifications

Three-Point Model Specifications



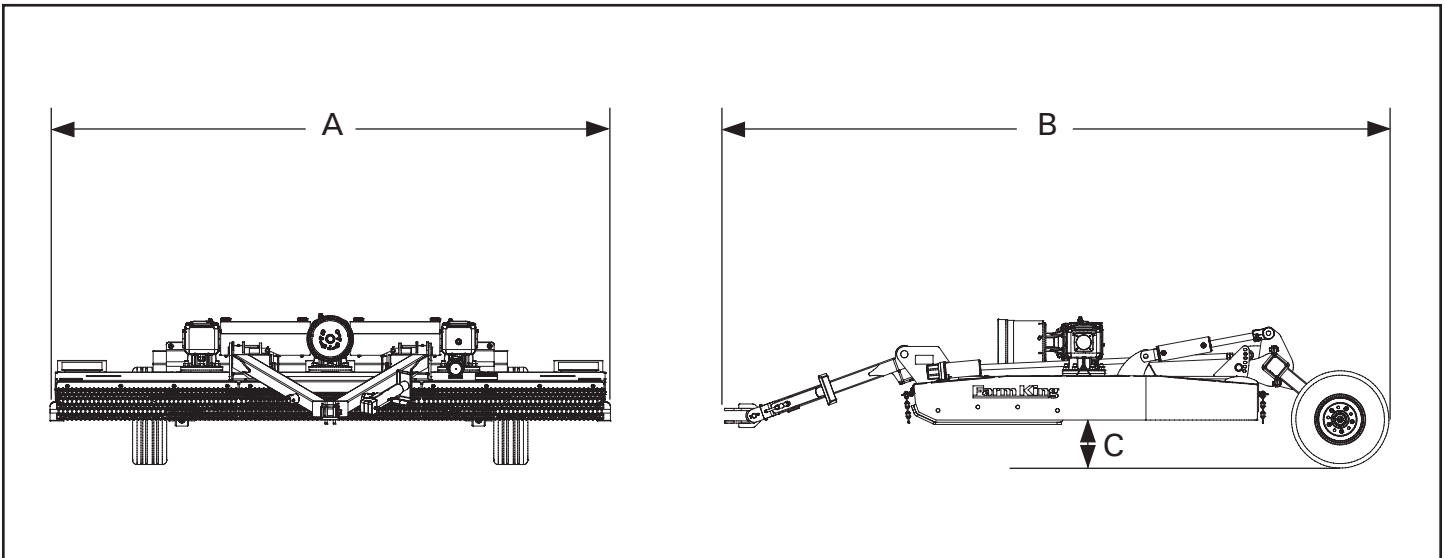
Model	1020
Overall Width (A)	126.5 in.
Overall Length (B)	110.75 in.
Transport Deck Height (C)	10 in.
Cutting Height	2 - 12 in.
Weight	2,150 lbs.
Tractor HP Requirement (Min)	50 hp
Blade Tip Speed	16,390 ft/min
Blade Overlap	4 in.
Blade	0.5 x 4 Uplift
Stump Jumper	Symmetric die pressed (7 Ga.)
Side Skid	Replaceable
Hitch	Cat II / III 3-Point
Tires	15 in. Solid Rubber Caster Wheels

Semi Mount Model Specifications



Model	1020
Overall Width (A)	126.5 in.
Overall Length (B)	114.95 in.
Transport Deck Height (C)	18 in.
Cutting Height	2 -12 in.
Weight	2,200lbs.
Tractor HP Requirement (Min)	50 hp
Blade Tip Speed	16,390 ft/min
Blade Overlap	4 in.
Blade	0.5 x 4 Uplift
Stump Jumper	Symmetric die pressed (7 Ga.)
Side Skid	Replaceable
Hitch	Cat II / III 3-Point
Tires	15 in Solid Rubber Caster Wheels

Trailing Model Specifications



Model	1020
Overall Width (A)	126.5 in.
Overall Length (B)	152.8 in.
Transport Deck Height (C)	10 in.
Cutting Height	2 -12 in.
Weight	2,225 lbs.
Trailing Hitch Weight	1,000 lbs.
Tractor HP Requirement (Min)	50 hp
Blade Tip Speed	16,390 ft/min
Blade Overlap	4 in.
Blade	0.5 x 4 Uplift
Stump Jumper	Symmetric die pressed (7 Ga.)
Side Skid	Replaceable
Hitch	Swivel Clevis
Tires	24 x 7.7 x 10 Aircraft Tires (Air Filled)
	21 in. Laminated Wheels (Solid Rubber)