

**BAUMALIGHT™**



**BAUMALIGHT™**

**STUMP BLASTER S14 And S18**

**OPERATOR'S MANUAL**

**THE RIGHT  
EQUIPMENT**

Issue Date: Nov 2012

# TABLE OF CONTENTS

SECTION	DESCRIPTION	PAGE
1	Introduction	1
1.1	Overview	1
1.2	Intended Use	2
2	Safety	3
2.1	Safety Alert Symbol and Safety Words	3
2.2	Operational Hazards	4
2.3	Maintenance Hazards	8
3	Safety Signs	10
3.1	Safety Signs - S18	10
3.2	Safety Signs - S14	12
4	Operation	14
4.1	Preparation for Use	14
4.2	Machine Components	15
4.3	Attach To Skid Steer	16
4.4	Detach From Skid Steer	16
4.5	Transporting	17
4.6	Carbide Teeth Break-in	17
4.7	First Time User Tips	18
4.8	Field Operation	19
5	Service and Maintenance	20
5.1	Replace Cutting Teeth - S18	20
5.2	Rotate Cutting Teeth - S14	21
5.3	Replace Cutting Teeth - S14	21
5.4	Replace Tooth Holder - S14	22
5.5	Replace Spider	22
5.6	Maintenance	23
6	Troubleshooting	24
7	Specifications	25
8	Warranty	26

# 1 INTRODUCTION

## 1.1 Overview

Congratulations on your choice of a Baumalight Skid Steer Stump Grinder to complement your stump grinding operation. This equipment has been designed and manufactured to meet the needs of a discriminating buyer for efficient grinding of stumps.

This new and unique design allows us to build it very economically and makes it a very compact unit for storage and transport. The self feeding design of the frame and enhanced visibility make the stump grinder easy and efficient to operate. Hydraulic controls are easy to adjust and operate from most skid steer loaders.

The debris shield is standard equipment on all stump grinders. It is recommended that the stump grinder never be operated with out one.

Safe, efficient and trouble free operation of your Stump Grinder requires that you and anyone else who will be operating or maintaining the Stump Grinder, read and understand the Safety, Operation, Maintenance and Troubleshooting information contained within the Operator's Manual.

This manual covers the Baumalight Skid Steer Stump Grinder, models S14 and S18. Use the Table of Contents as a guide to locate required information.

Keep this manual handy for frequent reference and to pass on to new operators or owners. Call your Baumalight dealer, distributor or the factory if you need assistance, information or additional copies of the manuals.

OPERATOR ORIENTATION - The directions left, right, front and rear, as mentioned throughout this manual, are as seen from the skid steer driver's seat and facing in the direction of travel.



## **1.2 Intended Use And Foreseeable Misuse**

The stump grinder is designed to be used by experienced operators, trained in the safe operation of a tractor and trained in the hazards related to using the stump grinder and the safe use of the grinder for the intended purpose. Operators will require personal protective equipment to reduce the risk from some hazards that cannot be completely eliminated or controlled by the design of the tool.

Care is required to ensure that the stump grinder tool will not come across metallic objects, stones or other materials.

Stump grinder tools are not designed for use in hazardous atmospheres where there is a risk of fire or explosion due to flammable gases or vapors. Use in hazardous, explosive atmospheres is prohibited.

Serious injury or death of the operator or bystanders may be caused if the tool is misused. Misuse may also cause damage to the machine carrying the implement.

## 2 SAFETY

### 2.1 Safety Alert Symbol and Safety Words

You must read, understand and follow the instructions given by the operating unit manufacturers, as well as the instructions in this manual.

The safety information in this manual is denoted by the safety alert symbol:



This symbol means ATTENTION! BECOME ALERT!  
YOUR SAFETY IS INVOLVED!

The level of risk is indicated by the following signal words:

#### DANGER

**DANGER** - Indicates a hazardous situation, which, if not avoided, **WILL** result in death or serious injury.

#### WARNING

**WARNING** - Indicates a hazardous situation, which, if not avoided, could result in death or serious injury.

#### CAUTION

**CAUTION** - Indicates a hazardous situation, which, if not avoided, could result in minor or moderate injury.

#### NOTICE

**NOTICE** - Indicates a situation that could result in damage to the equipment or other property.



## 2.2 Operational Hazards

### WARNING

Prevent serious injury or death.

Read and understand this manual before operating stump grinder.

Always stop engine and remove key before leaving operators seat.

Never allow anyone near the stump grinder during operation.

Travel at a safe speed.

### WARNING

Prevent serious injury or death from moving parts.

Moving parts can crush and dismember.

Do not operate without guards and shields in place.

Disconnect and lockout power source before adjusting or servicing.

### WARNING

Use stump grinder only for the designed applications.

Any other use may result in personal injury, damage to equipment and may void the warranty.

### WARNING

Prevent serious injury or death.

Verify stump grinder is locked to quick attach hitch before operation or transport.

### WARNING

Protect from flying debris.

Wear proper safety glasses, goggles, or a face shield to protect from flying debris.

Carefully read all safety messages in this manual and on equipment safety signs. Keep safety signs in good condition and replace missing or damaged safety signs.

New equipment components and repair parts must include the current safety decal.

Learn how to properly operate equipment. NEVER operate or work around this equipment without proper instruction, while fatigued or under the influence of alcohol, prescription or non-prescription medication or if feeling ill.

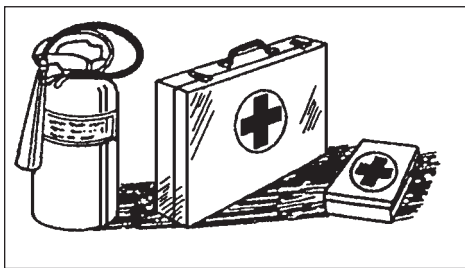
Keep your equipment in proper working condition.

Know the regulations and laws that apply to you and your industry. This manual is not to replace any regulations or laws. Additional information may be found at: [www.asae.org](http://www.asae.org) or [www.osha.gov](http://www.osha.gov).

If you do not understand any part of this manual, contact Baumalight at 866-820-7603.

## Prepare for Emergencies

- Be prepared in case of emergencies.
- Keep a fire extinguisher and first aid kit close to the machine.
- Keep emergency phone numbers close to your phone.
- Know your address so emergency services can locate you if an emergency arises.



## Replace Safety Signs

- Replace missing or damaged safety signs.
- Safety signs are identified in Section 3 of this manual.
- Replacement safety signs are available from your Baumalight dealer.

## Do Not Allow Riders

- NEVER lift or carry anyone with stump grinder.
- NEVER use stump grinder as a work platform.
- NEVER allow passengers on stump grinder.

## Lower Operating Speed

- Lower operating speed while loading, unloading or performing heavy operations.
- Keep load low and move at slow speeds on rough or uneven terrain.

## Avoid Rollover

The equipment may rollover, resulting in death or serious injury. To help prevent rollover:

- Travel at a slow speed.
- Avoid sharp turns & sudden movement on slopes.
- Carry loads close to the ground.

- Avoid holes, ditches and other obstructions which may cause equipment to rollover.
- Balance load so weight is evenly distributed and load is stable.
- Use caution when operating on slopes and do not operate on excessively steep slopes.
- Do not exceed load capacity of equipment.

## Avoid Powerlines & Underground Utilities

- Check clearance before raising equipment.
- Have local utilities locate and mark underground wires, cables, pipelines and other hazards before grinding.

### **DANGER**

**Prevent electrocution.**

**Death or serious injury can result if equipment comes near or contacts power lines.**

**Electrocution can occur without direct contact.**

DO NOT leave the operator's seat if any part of the equipment contacts electric lines or cables.

## Detach Stump Grinder Safely

Detach stump grinder on a firm and level surface. Stump grinder may fall over if detached on unlevel or soft surface. Be sure people, livestock and pets are clear of machinery.

Relieve hydraulic pressure before disconnecting hydraulic hoses.

## Raised Attachment

### **WARNING**

**Crushing hazard.**

**Raised, unsupported stump grinder can fall, resulting in death or serious injury.**

**Never enter the area under a raised stump grinder.**

A raised stump grinder can lower unexpectedly, resulting in death or serious injury.

NEVER enter area under a raised stump grinder unless stump grinder is properly and safely supported.

Lower stump grinder to ground, engage parking brake, shut off engine and remove key before servicing.



## Hazards from Modifying Equipment

Do not make any alterations to your stump grinder. Altering may cause your equipment to be unsafe and may void the manufacturers' warranty.

## Avoid High Pressure Fluids

### WARNING

**Pressurized fluids can penetrate the skin.**

**Hydraulic hoses can fail from age, damage and exposure.**

**Use body and face protection while searching for leaks. A tiny, almost invisible leak can penetrate the skin, thereby requiring immediate medical attention.**

**Use wood or cardboard to detect hydraulic leaks, never use your hands.**

Escaping fluid under pressure can penetrate the skin causing serious injury.

Prevent the hazard by relieving pressure before connecting or disconnecting hydraulic lines. Verify all connections are tight before applying pressure.

Search for leaks with a piece of cardboard or wood.

Protect hands and body from high pressure fluids. If an accident occurs, see a doctor immediately. Any fluid injected into the skin must be surgically removed

within a few hours or serious infection may result.

Doctors unfamiliar with this type of injury should reference a knowledgeable medical source.

## Avoid Wood Dust Inhalation

### WARNING

**Wear an approved respirator (N95 Type as a minimum).**

**Follow local, state and federal regulations.**

The health effects from exposure to wood dust are due to chemicals in the wood or chemical substances in the wood created by bacteria, fungi, or molds.

## Avoid Loud Noise

### WARNING

**Prolonged exposure to loud noise can cause impairment or loss of hearing.**

**Wear a suitable hearing protective device such as earmuffs or earplugs to protect against objectionable or uncomfortable loud noises.**

## 2.3 Maintenance Hazards

### Maintenance

Before servicing, park machine on a firm and level surface, set parking brake, chock wheels, and place a “Do Not Operate” tag on control panel. Read and understand this manual. If you do not understand any part of the manual, contact Baumalight at 866-820-7603.

Always wear face and/or eye protection, safety shoes, and other protective equipment appropriate for the job.

Do not make unauthorized modifications. Contact Baumalight at 866-820-7603. Before you weld, cut/drill holes, or make any other modifications.

Always use Baumalight replacement parts.

#### **WARNING**

**Moving parts can crush and cut.**

**Keep clear of moving components.**

**Follow lockout procedure before servicing.**

#### **WARNING**

**Crushing hazard.**

**Before performing inspections, service or maintenance:**

**Park machine on firm, level surface.**

**Engage parking brake.**

**Turn engine off and remove key.**

**Place “Do Not Operate” tag on control panel.**

#### **WARNING**

**Entanglement hazard.**

**Keep clear of moving components.**

**Wear proper protective equipment appropriate for the job.**

#### **WARNING**

**Burn hazard.**

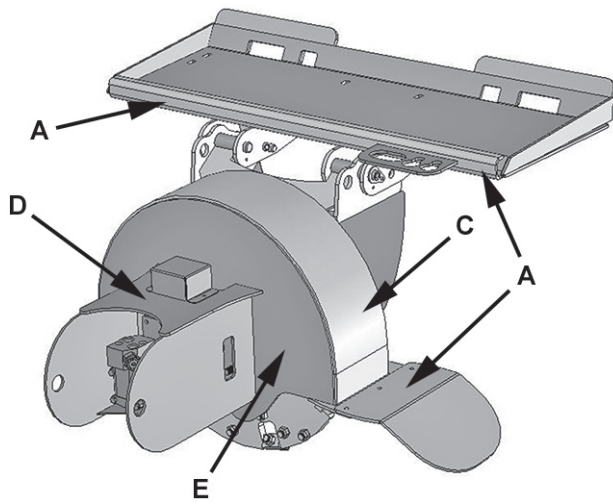
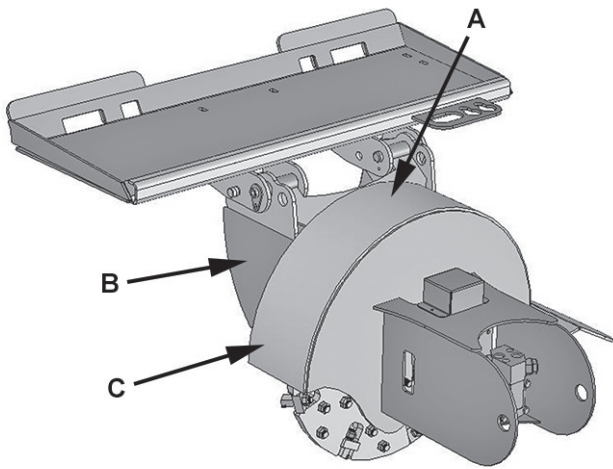
**Hot and high pressure hydraulic oil.**

**Allow oil to cool before servicing.**



# 3 SAFETY SIGNS

## 3.1 Safety Signs - S18



A. Non-Slip Pads



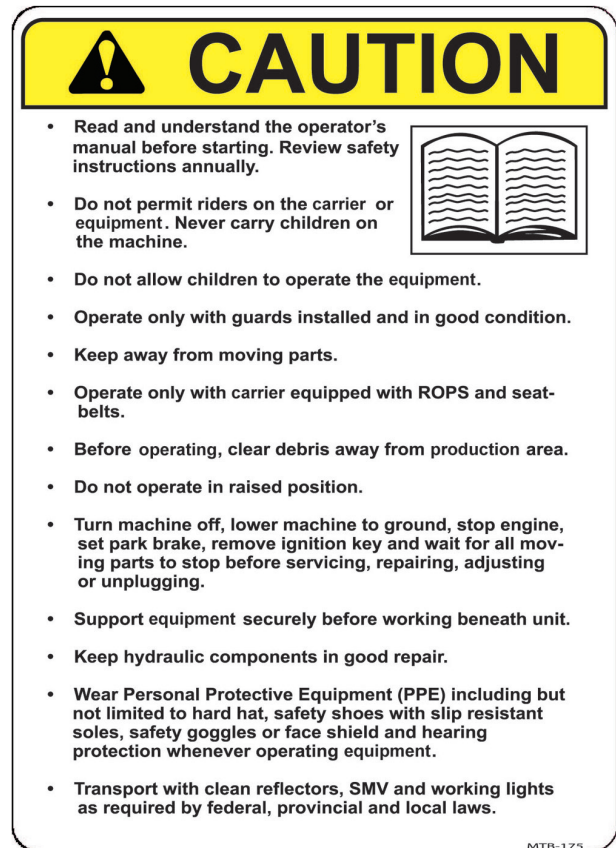
B. MTB-180 Safety Sign



C. MTB-108 Safety Sign

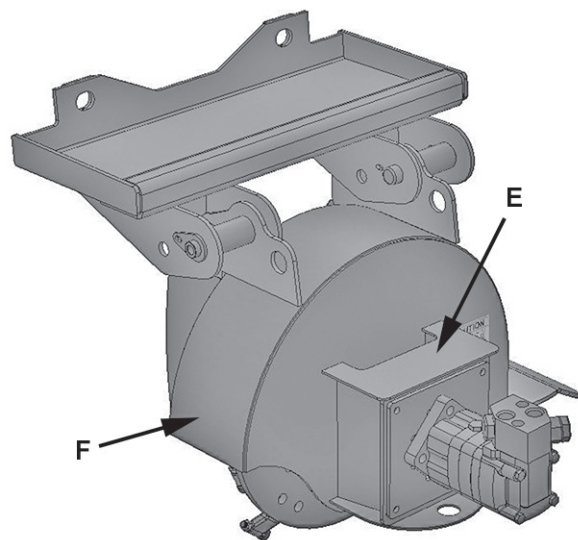
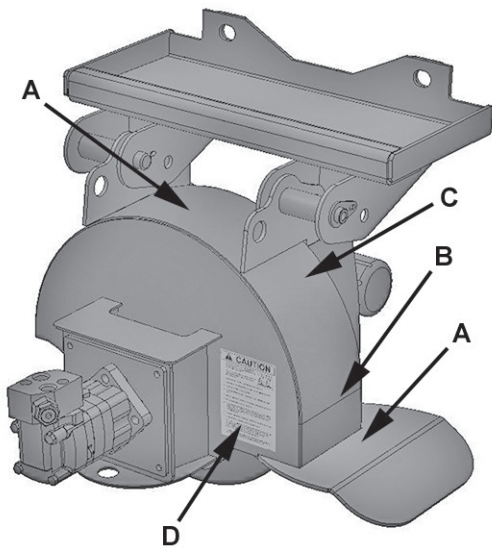


D. MTB-182 Safety Sign



E. MTB-181 Safety Sign

### 3.2 Safety Signs - S14



A. Non-Slip Pads





B. MTB-176 Safety Sign



C. MTB-180 Safety Sign



 <h1 style="margin: 0;">CAUTION</h1>	
<ul style="list-style-type: none"> <li>• Read and understand the operator's manual before starting. Review safety instructions annually.</li> <li>• Do not permit riders on the carrier or equipment. Never carry children on the machine.</li> <li>• Do not allow children to operate the equipment.</li> <li>• Operate only with guards installed and in good condition.</li> <li>• Keep away from moving parts.</li> <li>• Operate only with carrier equipped with ROPS and seat-belts.</li> <li>• Before operating, clear debris away from production area.</li> <li>• Do not operate in raised position.</li> <li>• Turn machine off, lower machine to ground, stop engine, set park brake, remove ignition key and wait for all moving parts to stop before servicing, repairing, adjusting or unplugging.</li> <li>• Support equipment securely before working beneath unit.</li> <li>• Keep hydraulic components in good repair.</li> <li>• Wear Personal Protective Equipment (PPE) including but not limited to hard hat, safety shoes with slip resistant soles, safety goggles or face shield and hearing protection whenever operating equipment.</li> <li>• Transport with clean reflectors, SMV and working lights as required by federal, provincial and local laws.</li> </ul>	
MTB-175	

D. MTB-175 Safety Sign

 <h1 style="margin: 0;">WARNING</h1>	
	
<h2 style="margin: 0;">HIGH PRESSURE FLUID HAZARD</h2> <p style="margin: 0;">To prevent serious injury or death from high pressure fluid:</p> <ul style="list-style-type: none"> <li>• Relieve pressure on system before repairing or adjusting.</li> <li>• Wear proper head and eye protection when searching for leaks. Use wood or cardboard instead of hands.</li> <li>• Keep all components in good repair.</li> </ul>	

E. MTB-182 Safety Sign

 <h1 style="margin: 0;">DANGER</h1>	
	
<h2 style="margin: 0;">THROWN OBJECT HAZARD</h2> <p style="margin: 0;">To prevent serious injury or death:</p> <ul style="list-style-type: none"> <li>• Do not operate unless all guards are installed.</li> <li>• Stop blade rotation if bystanders come within several hundred feet of machine.</li> </ul>	

F. MTB-177 Safety Sign

# 4 OPERATION

## 4.1 Preparation for Use

Although the Stump Grinder has been carefully inspected and checked prior to shipment from manufacturer, it is recommended that the unit be thoroughly inspected.

Check all bolts for tightness and remove all shipping tags, bags, skids, and blocking. Check swing frame to ensure that it is free from obstruction and can operate smoothly without binding.

Remove stabilizer pin (A).

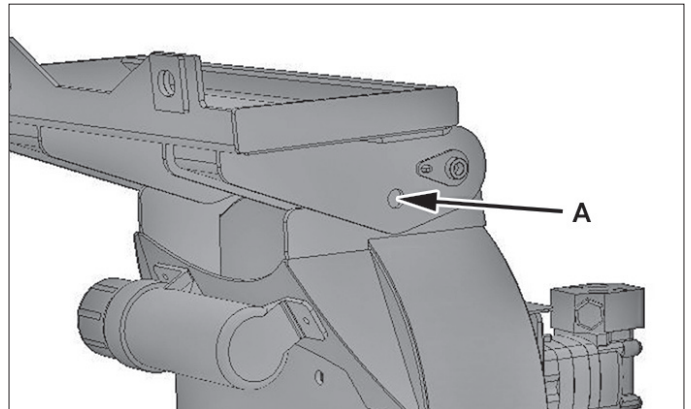
Remove any masking materials affixed during painting. Inspect the skid-steer and any accessory equipment to verify that nameplates and all safety warning, caution signs and decals provided with the equipment are in place and clearly visible.

Visually inspect the unit before each start up. Check for loose or missing parts and any damage that may have occurred during moving or shipping.

Review all skid steer pre-start instructions, and ensure that all recommended steps and procedures have been followed. Never bar over the rotor, This could cause damage and result in personal injury or equipment damage.

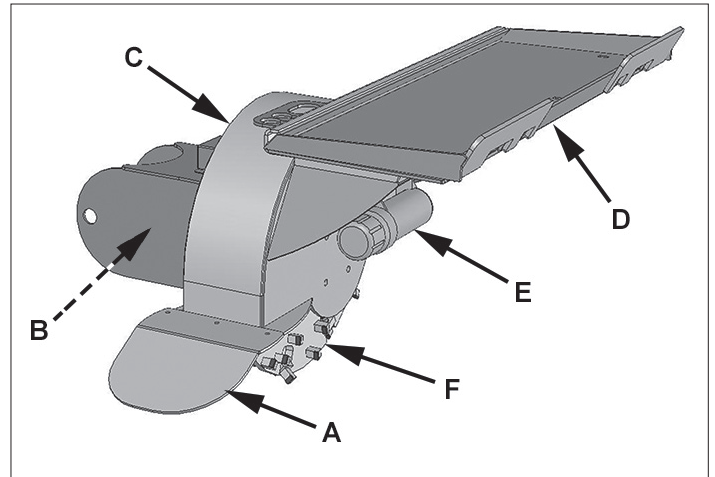
### Lifted

The Stump Grinder must be lifted in a vertical direction only. Due to the weight of the rotor the device must be adjusted accordingly. NOTE: Always keep the weight of the machine in mind. Never position body in line of impact.



## 4.2 Machine Components

- A. Debris Shield
- B. Hydraulic Motor
- C. Cutting Wheel Shield
- D. Quick Attach
- E. Manual Storage Tube
- F. Cutting Wheel



### 4.3 Attach To Skid Steer

**⚠ WARNING**

To prevent injury or machine damage put transmission in “Park”.

Never position yourself between skid steer and stump grinder.

Only experienced and properly trained operator’s should operate the skid steer and stump grinder.

1. Read and follow all safety instructions.
2. Attach skid steer to stump grinder. See skid steer Operator’s Manual.
3. Verify pins are secure in the correct position.
4. Connect hydraulic hoses. Verify hydraulic hoses are clear of pinch areas and moving parts.
5. Move to a clear open area to test functions.

### 4.4 Detach From Skid Steer

**⚠ WARNING**

Prevent serious injury or death caused by unexpected movement:

1. Park skid steer on a level surface.
2. Engage skid steer park brake.
3. Disconnect hydraulic hoses.
4. Shut off engine and remove key.

1. Park skid steer on a level surface.
2. Lower stump grinder to the ground.
3. Shut off engine and remove key.
4. Disconnect hydraulic hoses.
5. Detach skid steer from stump grinder. See skid steer Operator’s Manual.

## 4.5 Transporting

1. Verify all reflectors and Slow Moving Vehicle (SMV) sign are visible.
2. Raise stump grinder slightly off ground.
3. Verify hydraulics are disengaged.
4. Travel at a reasonable and safe speed.

### **WARNING**

**To prevent bodily injury from rotating cutting wheel, be sure to disengage hydraulics before transporting.**

## 4.6 Carbide Teeth Break-In

During the first few hours of use, avoid hitting stones as much as possible to allow the carbide teeth to wear slightly. This can be done by keeping the cutting wheel above ground level. Brand new carbide tips are razor sharp and can chip and shatter easily when they hit hard objects. Once the razor sharpness has worn away, the tips do not chip as easily. Observing these precautions will extend the life of the carbide teeth and reduce operating expenses.

## 4.7 First Time User Tips

- Before starting, stand to side of stump grinder and look at center point on bottom of cutting wheel, this will appear different from the skid steer seat and can be very deceiving.
- Operate all functions in an open area with skid steer in idle to get a good feel for the controls, do not expect to get first stump done fast.
- Run throttle only at half speed for first time users.

### **WARNING**

**Always turn off skid steer and disengage hydraulic drive before getting off the seat and approaching the cutting wheel.**

### **WARNING**

**Wear an approved respirator (N95 Type as a minimum).**

**Follow local, state and federal regulations.**

**The health effects from exposure to wood dust are due to chemicals in the wood or chemical substances in the wood created by bacteria, fungi, or molds.**



## 4.8 Field Operation

### **⚠ WARNING**

**Prevent serious injury or death caused by unexpected movement:**

1. Park skid steer on a level surface.
2. Engage skid steer park brake.
3. Disengage hydraulic drive.
4. Shut off engine and remove key.

### **⚠ WARNING**

**Never operate stump grinder when other people are in the vicinity.**

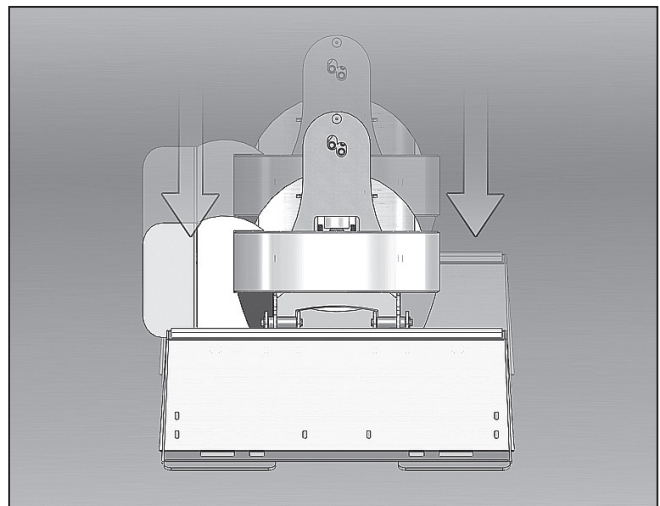
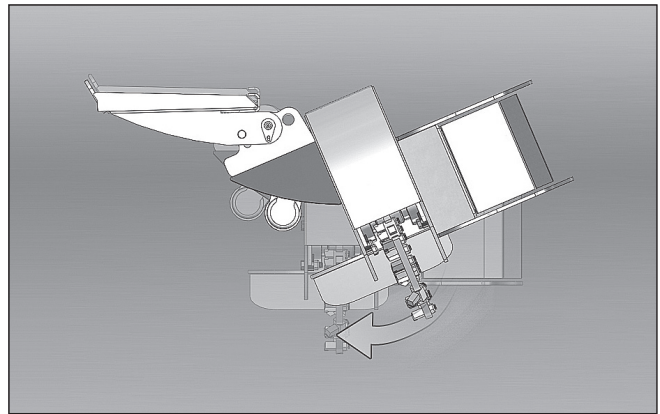
**Do not allow riders on skid steer.**

### **⚠ WARNING**

**Never operate stump grinder when other people are in the vicinity. Debris can be thrown several feet from cutting area. Keep all shields in place.**

1. Attach stump grinder to skid steer. See Attaching/ Detaching in this section.
2. If stump is on a grade, position skid steer in low area. This will position stump grinder in high area for a greater advantage of weight for stable cutting.
3. Move over stump so cutting wheel torques downward pushing frame up to avoid binding.
4. Engage cutting wheel and slowly lower it in a controlled manor to desired cutting depth. Always lower cutting wheel beside stump, never try cutting down, always cut sideways.

5. Slowly move into the stump.
6. If cutting wheel stalls, stop motion and rise slightly.
7. After a complete pass, move to home position and lower cutting wheel to desired position for next pass.
8. Continue lowering the passes in this manor until stump is completely removed.



# 5 SERVICE and MAINTENANCE

## 5.1 Replace Cutting Teeth - S18

### ⚠ WARNING

Prevent serious injury or death caused by unexpected movement:

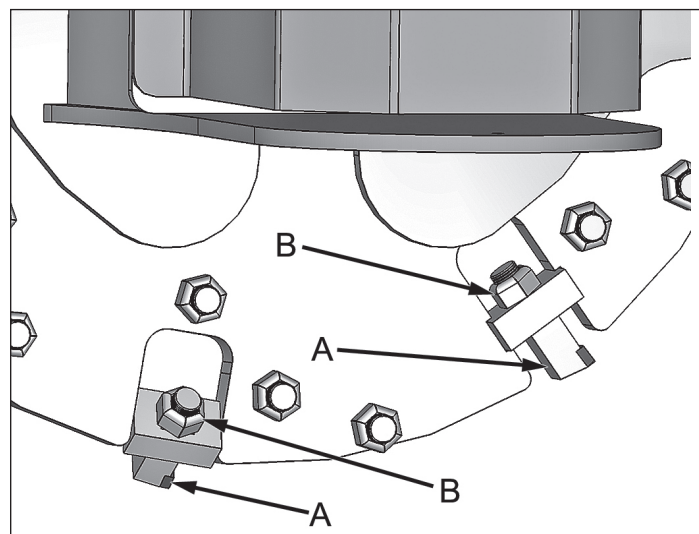
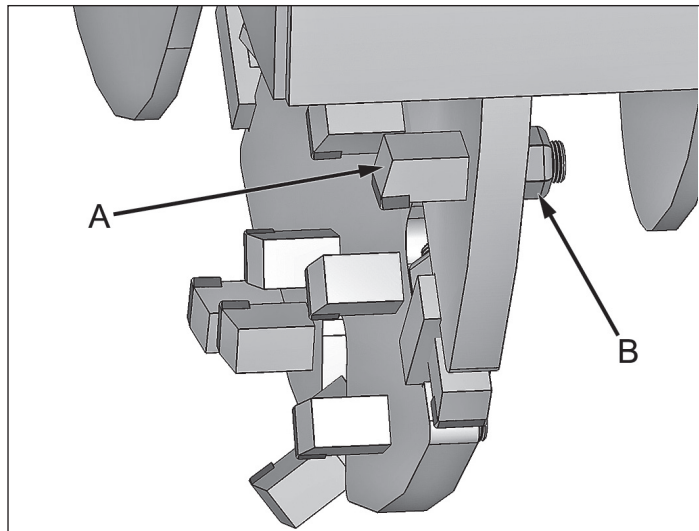
1. Park skid steer on a level surface.
2. Engage skid steer park brake.
3. Disengage hydraulic drive.
4. Shut off engine and remove key.

### ⚠ WARNING

Clean machine thoroughly before service or maintenance procedures.

The health effects from exposure to wood dust are due to chemicals in the wood or chemical substances in the wood created by bacteria, fungi, or molds.

1. Inspect cutting teeth for damage. Replace individual teeth as needed.
2. Remove lock nut (B) and cutting tooth (A).
3. Install replacement tooth and lock nut.

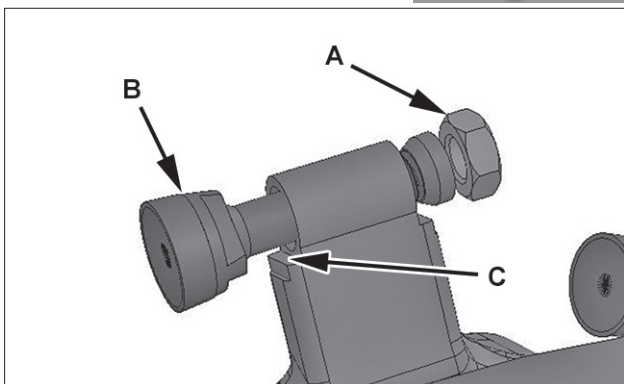
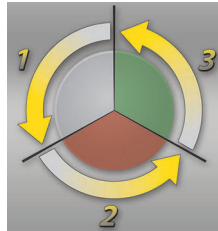


**Note:** Parts breakdown can be found on Baumalight's website. [www.baumalight.com](http://www.baumalight.com)

## 5.2 Rotate Cutting Teeth - S14

Each tooth can be rotated up to three times before replacement is necessary.

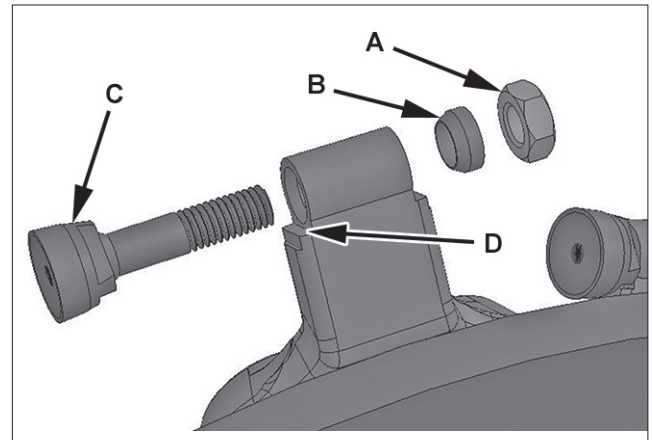
1. Park skid steer and grinder on a level surface.
2. Lower grinder to the ground.
3. Shut off engine and remove key.
4. Inspect teeth for wear on top edge. Once top edge is worn, rotate tooth so a new edge is on top (cutting) edge.
5. Loosen  $\frac{3}{8}$  inch locknut (A) on tooth (B) and rotate tooth  $\frac{1}{3}$  turn. Flat shoulder on tooth will fit against shoulder (C) on tooth holder.
6. Tighten  $\frac{3}{8}$  inch locknut (A).



**Note:** Parts breakdown can be found on Baumalight's website. [www.baumalight.com](http://www.baumalight.com)

## 5.3 Replace Cutting Teeth - S14

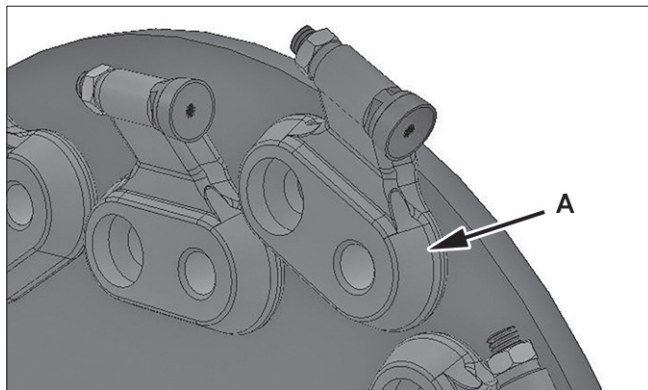
1. Park skid steer and grinder on a level surface.
2. Lower grinder to the ground.
3. Shut off engine and remove key.
4. Inspect cutting teeth (C) for damage and wear. Replace individual teeth as needed.
5. Remove  $\frac{3}{8}$  inch locknut (A), spacer (B) and tooth (C). Install new tooth. Flat shoulder on tooth will fit against shoulder (D) on tooth holder.
6. Install spacer (B) and  $\frac{3}{8}$  inch locknut (A). Tighten  $\frac{3}{8}$  inch locknut (A).



**Note:** Parts breakdown can be found on Baumalight's website. [www.baumalight.com](http://www.baumalight.com)

## 5.4 Replace Tooth Holder - S14

1. Park skid steer and grinder on a level surface.
2. Lower grinder to the ground.
3. Shut off engine and remove key.
4. Inspect tooth holders (A) for damage and wear. Replace individual tooth holders as needed.
5. Remove tooth from tooth holder.
6. Remove mounting hardware on tooth holder (A). Install new tooth holder, install and tighten mounting hardware.
7. Install tooth into new tooth holder.

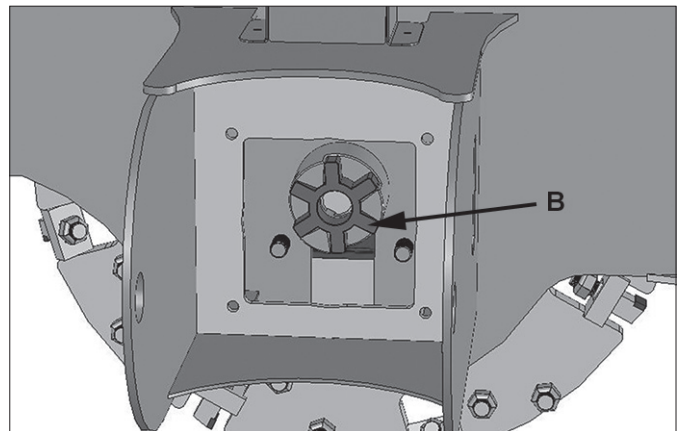
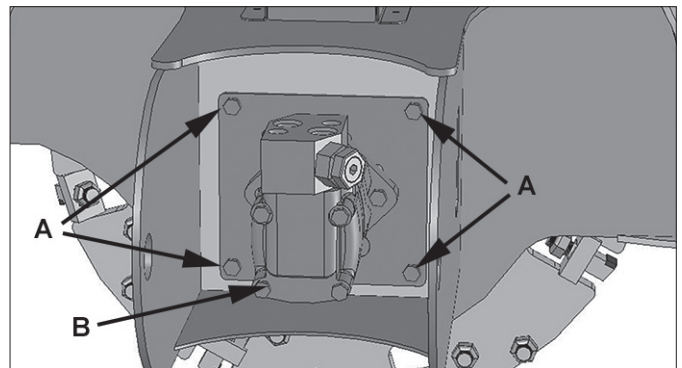


**Note:** Parts breakdown can be found on BaumaLight's website. [www.baumalight.com](http://www.baumalight.com)

## 5.5 Replace Spider

1. Remove four bolts (A) and remove hydraulic motor assembly (B).
2. Remove and replace spider (C).
3. Install motor assembly (B) and bolts (A).

**Note:** Parts breakdown can be found on BaumaLight's website. [www.baumalight.com](http://www.baumalight.com)



## **5.6 Maintenance**

Check cutting teeth every 4 hours of use.

Inspect the unit for any buildup of contamination (dirt, stones, etc.).

Check hydraulic hoses and fittings for leaks.

Keep cutting teeth in good condition. Unit will cut faster and remaining teeth will last longer if broken teeth are replaced.

## 6 TROUBLESHOOTING

PROBLEM	CHECK	SOLUTION
Cutting wheel does not spin.	Cutting wheel jammed.	Remove material from cutting wheel.
	Low oil.	Check oil level in skid steer. Add if necessary.
	Not enough oil flow.	Check flow control on skid steer. See your dealer.
Cutting wheel does not have much power.	Low oil.	Check oil level in skid steer. Add if necessary.
	Oil filter plugged.	Replace skid steer oil filter.
	Relief valve not set properly.	Set relief valve. Pressure should be between 2,500 and 3,500 psi.
	Not enough oil flow.	Check flow control on skid steer. See your dealer.



## 7 SPECIFICATIONS

Model Number	S14	S18
Recommended HP	12-50	25-80
Maximum HP	See Motor Options	See Motor Options
Hydraulic GPM	See Motor Options	See Motor Options
Cutting Wheel	18 in.	24 in.
Number of Teeth	12	34
Tooth Construction	Carbide Steel Bolt-In	Carbide Steel Bolt-In
Cutting Wheel Speed	700 RPM	700 RPM
Cutting Height (Above Ground)	No Limit	No Limit
Cutting Depth (Below Ground)	6 in.	10 in.
Maximum Cutting Depth (Per Pass)	2 in.	5 in.
Maximum Horizontal Cut	12 in.	22 in.
Swing Arc	0°	0°
Hub Torque	150 ft-lbs.	250 ft-lbs.
Over Torque Protection	Relief Valve	Relief Valve
Hitch	Mini Plate	Quick Attach
Number of Remotes Required (Hydraulic)	1	1
Requires 12 Volt DC	No	No
Input Speed	N/A	N/A
Unit Weight (Shipping) lbs.	349	578
Width (Shipping)	44 in.	48 in.
Length (Shipping)	41 in.	48 in.

### Motor Options

Model	Recommended GPM	Maximum GPM	Case Drain Required	Hydraulic Couplers	Motor Options
<b>S14</b>	8-12	14	No	Included	S250
<b>S14</b>	12-22	23	No	Included	S450
<b>S18</b>	12-22	23	No	Included	S450
<b>S18</b>	12-27	28	Yes	Not Supplied	S550
<b>S18</b>	25-40	42	Yes	Not Supplied	S650

## 8 WARRANTY

This product is warranted to be free of defects in materials and workmanship under normal use and service, for a period of one year from the date of purchase, when operated and maintained in accordance with the Operating and Maintenance Instructions supplied with this unit. This warranty does not cover misuse or negligence.

Under no circumstances will the manufacturer be liable for any consequential damage or expense of any kind, including loss of profits. The manufacturer is under no circumstances liable for tractor damage of any kind. The manufacturer is not liable for the maintenance of the product.

This warranty is extended only to the original purchaser. Warranty is void if repairs are attempted by anyone other than an Authorized Service Center.

If a difficulty develops with the product, you should contact your nearest Authorized Repair Center, or distributor. Only these locations are authorized to make repairs to the product or affect the replacement of defective parts, which will be done at no charge within a reasonable time after the receipt of the product. Units or parts should be returned at the customer's expense to the nearest repair location or Authorized Service Center. Pack unit in a strong carton and pad tightly to avoid damage. Damage in-transit is not covered by warranty. Include original purchase receipt with any claim (keeping a copy for your files).

The Manufacturer's Liability is limited to repair of the product and/or replacement of parts and is given to the purchaser in lieu of all other remedies including incidental and consequential charges. There are no warranties, expressed or implied other than those specified herein. For the nearest Authorized Service Center call the manufacturer.

Please note the following details and file this information in an appropriate place.

Model Number: \_\_\_\_\_ S/N: \_\_\_\_\_

Date of Purchase: \_\_\_\_\_ Owner's Name \_\_\_\_\_



MTB MFG INC.  
CORPORATE HEADQUARTERS  
4575 Powell Rd.,  
Wallenstein, Ontario Canada  
N0B 2S0  
Phone - 519.698.9864  
Toll Free - 866.820.7603  
Fax - 519.698.1087  
[www.baumalight.com](http://www.baumalight.com)

