

BAUMALIGHT™



BAUMALIGHT™

Brush Mulcher MS348

OPERATOR'S MANUAL

Issue Date: July 2018

TABLE OF CONTENTS

1 INTRODUCTION	1
1.1 Overview	1
1.2 Intended Use And Foreseeable Misuse	1
2 SAFETY	2
2.1 Safety Alert Symbol And Safety Words	2
2.2 Operational Hazards	3
Prepare For Emergencies	4
Replace Safety Signs	4
Do Not Allow Riders	4
Lower Operating Speed	4
Avoid Rollover	4
Avoid Powerlines & Underground Utilities	4
Detach Brush Mulcher Safely	5
Hazards From Modifying Equipment	5
2.3 Maintenance Hazards	7
Maintenance	7
3 SAFETY SIGNS	8
4 OPERATION	10
4.1 Preparation For Use	10
4.2 Pre-Operation Check List	11
4.3 Machine Components	12
4.4 Attach Brush Mulcher	12
4.5 Detach Brush Mulcher	13
4.6 Transporting	13
4.7 Carbide Teeth Break-In	14
4.8 First Time User Tips	14
4.9 Field Operation	15
4.10 Clearing Jams	16
5 SERVICE AND MAINTENANCE	17
5.1 Maintenance	17
5.2 Inspections	17
5.3 Check Belt Tension	18
5.4 Replace Belt	18
5.5 Rotate Cutting Teeth	20
5.6 Replace Cutting Teeth	20
5.7 Replace Tooth Holder	21
5.8 Motor Shaft Seal	21
6 TROUBLESHOOTING	22
7 STORAGE	23
7.1 Storing Mulcher	23
7.2 Removing Mulcher From Storage	23
8 WARRANTY	24

1 INTRODUCTION

1.1 Overview

Congratulations on your choice of a Baumalight Brush Mulcher to complement your mulching operation. This equipment has been designed and manufactured to meet the needs of a discriminating buyer for efficient grinding of stumps.

The rotor is hydraulic powered by the hydraulic system on your skid steer.

Replaceable bearings are provided at major pivot points for extended service life.

Safe, efficient and trouble free operation of your brush mulcher requires that you and anyone else who will be operating or maintaining the brush mulcher, read and understand the Safety, Operation, Maintenance and Troubleshooting information contained within the Operator's Manual.

This manual covers the Baumalight Brush Mulcher, model MS348. Use the Table of Contents as a guide to locate required information.

Keep this manual handy for frequent reference and to pass on to new operators or owners. Call your Baumalight dealer, distributor or the factory if you need assistance, information or additional copies of the manuals.

When this machine is worn out and no longer in use, it should be returned to the retailer or other party for recycling.

OPERATOR ORIENTATION - The directions left, right, front and rear, as mentioned throughout this manual, are as seen from the skid steer driver's seat and facing in the direction of travel.

1.2 Intended Use And Foreseeable Misuse

The brush mulcher is designed to be used by experienced operators, trained in the safe operation of a skid steer and trained in the hazards related to using the brush mulcher and the safe use of the mulcher for the intended purpose. Operators will require personal protective equipment to reduce the risk from some hazards that cannot be completely eliminated or controlled by the design of the tool.

Care is required to ensure that the brush mulcher tool will not come across metallic objects, stones or other materials.

Brush mulcher tools are not designed for use in hazardous atmospheres where there is a risk of fire or explosion due to flammable gases or vapors. Use in hazardous, explosive atmospheres is prohibited.

Serious injury or death of the operator or bystanders may be caused if the tool is misused. Misuse may also cause damage to the machine carrying the implement.

2 SAFETY

2.1 Safety Alert Symbol And Safety Words

You must read, understand and follow the instructions given by the operating unit manufacturers, as well as the instructions in this manual.

The safety information in this manual is denoted by the safety alert symbol:



This symbol means ATTENTION! BECOME ALERT! YOUR SAFETY IS INVOLVED!

The level of risk is indicated by the following signal words:

DANGER

DANGER - Indicates a hazardous situation, which, if not avoided, **WILL** result in death or serious injury.

WARNING

WARNING - Indicates a hazardous situation, which, if not avoided, could result in death or serious injury.

CAUTION

CAUTION - Indicates a hazardous situation, which, if not avoided, could result in minor or moderate injury.

NOTICE

NOTICE - Indicates a situation that could result in damage to the equipment or other property.

2.2 Operational Hazards

WARNING

Prevent serious injury or death.

Read and understand this manual before operating brush mulcher.

Always stop engine and remove key before leaving operators seat.

Never allow anyone near the brush mulcher during operation.

Travel at a safe speed.

WARNING

Prevent serious injury or death from moving parts.

Moving parts can crush and dismember.

Do not operate without guards and shields in place.

Disconnect and lock out power source before adjusting or servicing.

WARNING

Use brush mulcher only for the designed applications.

Any other use may result in personal injury, damage to equipment and may void the warranty.

WARNING

Prevent serious injury or death.

Verify brush mulcher is attached to skid steer before operation or transport.

WARNING

Protect from flying debris.

Wear proper safety glasses, goggles, or a face shield to protect from flying debris.

Carefully read all safety messages in this manual and on equipment safety signs. Keep safety signs in good condition and replace missing or damaged safety signs.

New equipment components and repair parts must include the current safety decal.

Learn how to properly operate equipment. NEVER operate or work around this equipment without proper instruction, while fatigued or under the influence of alcohol, prescription or non-prescription medication or if feeling ill.

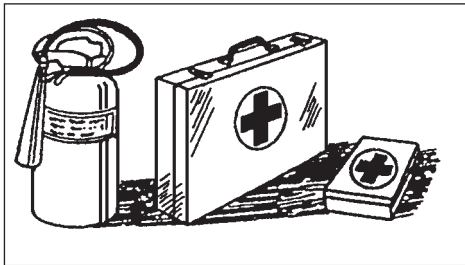
Keep your equipment in proper working condition.

Know the regulations and laws that apply to you and your industry. This manual is not to replace any regulations or laws. Additional information may be found at: www.asae.org or www.osha.gov.

If you do not understand any part of this manual, contact Baumlight at 866-820-7603.

Prepare For Emergencies

- Be prepared in case of emergencies.
- Keep a fire extinguisher and first aid kit close to the machine.
- Keep emergency phone numbers close to your phone.
- Know your address so emergency services can locate you if an emergency arises.



Replace Safety Signs

- Replace missing or damaged safety signs.
- Safety signs are identified in Section 3 of this manual.
- Replacement safety signs are available from your Baumalight dealer.

Do Not Allow Riders

- NEVER lift or carry anyone with brush mulcher.
- NEVER use brush mulcher as a work platform.
- NEVER allow passengers on brush mulcher.

Lower Operating Speed

- Lower operating speed while loading, unloading or performing heavy operations.
- Keep load low and move at slow speeds on rough or uneven terrain.

Avoid Rollover

The equipment may rollover, resulting in death or serious injury. To help prevent rollover:

- Travel at a slow speed.
- Avoid sharp turns & sudden movement on slopes.
- Carry loads close to the ground.
- Avoid holes, ditches and other obstructions which may cause equipment to rollover.
- Balance load so weight is evenly distributed and load is stable.
- Use caution when operating on slopes and do not operate on excessively steep slopes.
- Do not exceed load capacity of equipment.

Avoid Powerlines & Underground Utilities

⚠ DANGER

Prevent electrocution.

Death or serious injury can result if equipment comes near or contacts power lines.

Electrocution can occur without direct contact.

DO NOT leave the operator's seat if any part of the equipment contacts electric lines or cables.

Detach Brush Mulcher Safely

Detach brush mulcher on a firm and level surface. Brush mulcher may fall over if detached on sloping or soft surface. Be sure people, livestock and pets are clear of machinery.

Relieve hydraulic pressure before disconnecting hydraulic hoses. See your skid steer Operator's Manual.

Raised Attachment

WARNING

Crushing hazard.

Raised, unsupported brush mulcher can fall, resulting in death or serious injury.

Never enter the area under a raised brush mulcher.

A raised brush mulcher can lower unexpectedly, resulting in death or serious injury.

NEVER enter area under a raised brush mulcher.

Lower brush mulcher to ground, engage parking brake, shut off engine and remove key before servicing.

Avoid Loud Noise

WARNING

Prolonged exposure to loud noise can cause impairment or loss of hearing.

Wear a suitable hearing protective device such as earmuffs or earplugs to protect against objectionable or uncomfortable loud noises.

Hazards From Modifying Equipment

Do not make any alterations to your brush mulcher. Altering the equipment may cause unsafe conditions and may void the manufacturer's warranty.

Avoid Wood Dust Inhalation

WARNING

Wear an approved respirator (N95 Type as a minimum).

Follow local, state and federal regulations.

The health effects from exposure to wood dust are due to chemicals in the wood or chemical substances in the wood created by bacteria, fungi, or molds.

Avoid High Pressure Fluids

WARNING

Pressurized fluids can penetrate the skin.

Hydraulic hoses can fail from age, damage and exposure.

Use body and face protection while searching for leaks. A tiny, almost invisible leak can penetrate the skin, thereby requiring immediate medical attention.

Use wood or cardboard to detect hydraulic leaks, never use your hands.

Escaping fluid under pressure can penetrate the skin causing serious injury.

Prevent the hazard by relieving pressure (See skid steer Operator's Manual.) before connecting or disconnecting hydraulic lines. Verify all connections are tight before applying pressure.

Search for leaks with a piece of cardboard or wood.

Protect hands and body from high pressure fluids. If an accident occurs, see a doctor immediately. Any fluid injected into the skin must be surgically removed within a few hours or serious infection may result.

2.3 Maintenance Hazards

Maintenance

Before servicing, park machine on a firm and level surface, set parking brake, chock wheels, and place a “Do Not Operate” tag on control panel. Read and understand this manual. If you do not understand any part of the manual, contact Baumalight at 866-820-7603.

Always wear face and/or eye protection, safety shoes, and other protective equipment appropriate for the job.

Do not make unauthorized modifications. Contact Baumalight at 866-820-7603 before you weld, cut/ drill holes, or make any other modifications.

Always use Baumalight replacement parts.

WARNING

Moving parts can crush and cut.

Keep clear of moving components.

Follow lockout procedure before servicing.

WARNING

Crushing hazard.

Before performing inspections, service or maintenance:

Park machine on firm, level surface.

Engage parking brake.

Turn engine off and remove key.

Place “Do Not Operate” tag on control panel.

WARNING

Entanglement hazard.

Keep clear of moving components.

Wear proper protective equipment appropriate for the job.

WARNING

Burn hazard.

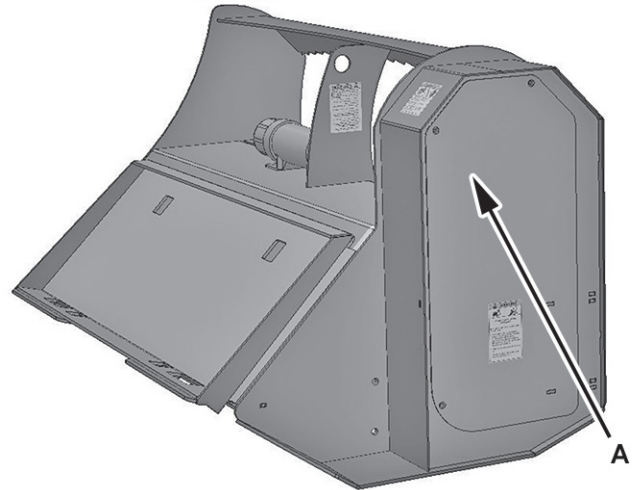
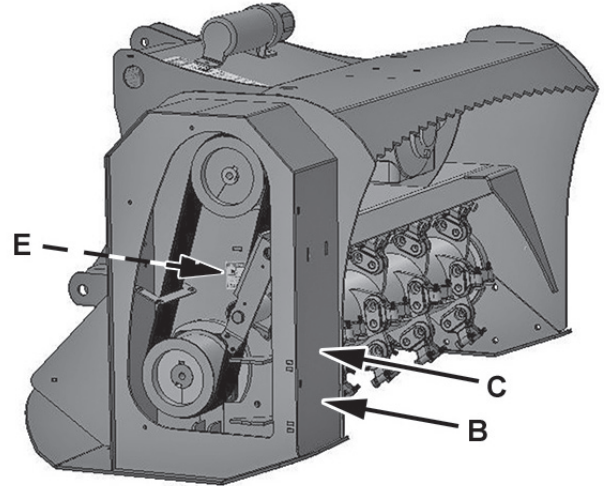
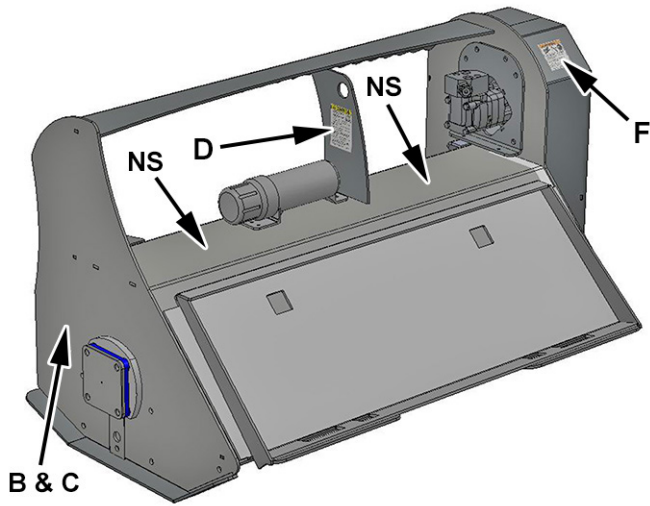
Hot and high pressure hydraulic oil.

Allow oil to cool before servicing.

3 SAFETY SIGNS

Dashed line indicates item hidden from view unless cover is removed.

NS - Non-Slip Strip



A. MTB-178 Safety Sign



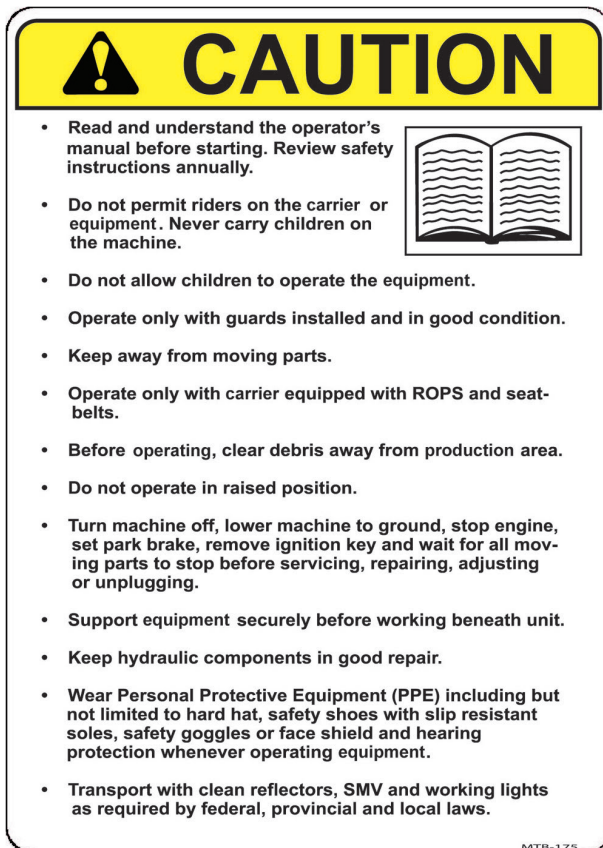
B. MTB-176 Safety Sign



C. MTB-177 Safety Sign



D. MTB-175 Safety Sign



E. MTB-185 Safety Sign



F. MTB-182 Safety Sign



4 OPERATION

4.1 Preparation For Use

WARNING

Wear an approved respirator (N95 Type as a minimum).

Follow local, state and federal regulations.

The health effects from exposure to wood dust are due to chemicals in the wood or chemical substances in the wood created by bacteria, fungi, or molds.

Although the brush mulcher has been carefully inspected and checked prior to shipment from manufacturer, it is recommended that the unit be thoroughly inspected.

Check all bolts for tightness and remove all shipping tags, bags, skids, and blocking.

Review and understand this manual and operating unit manual.

Remove any masking materials affixed during painting. Inspect the skid steer and any accessory equipment to verify that nameplates and all safety warning, caution signs and decals provided with the equipment are in place and clearly visible.

Visually inspect the unit before each start up. Check for loose or missing parts and any damage that may have occurred during moving or shipping. Review all skid steer pre-start instructions, and be sure that all recommended steps and procedures have been followed.

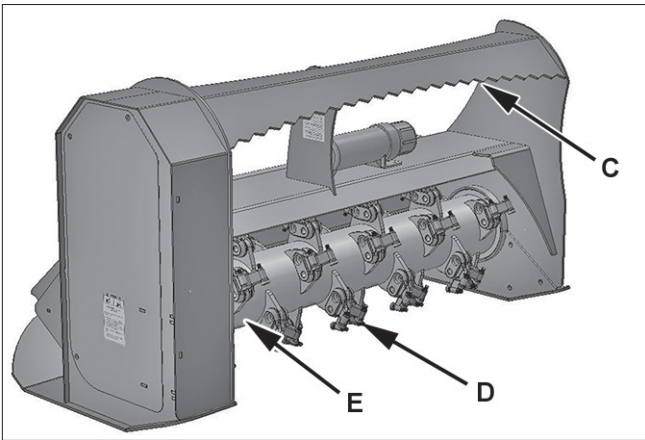
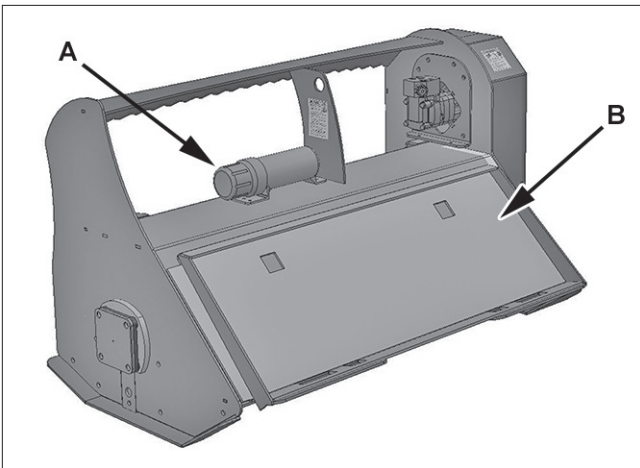
NOTE: Always keep the weight of the machine in mind. Never position body in line of impact.

4.2 Pre-Operation Check List

Check-mark	Check these items:	Frequency
	Verify that mulcher is properly attached to skid steer.	Each operation.
	Verify that hydraulic hoses are connected to skid steer hydraulic couplers.	Each operation.
	Verify the cutting tips on the rotor are tight.	Every 4 hours.
	Check belt chamber.	Every 4 hours.

4.3 Machine Components

- A. Operators Manual Storage Tube
- B. Quick Attach
- C. Safety Push Bar
- D. Cutting Teeth
- E. Rotor



4.4 Attach Brush Mulcher

⚠ WARNING

To prevent injury or machine damage, engage skid steer park brake.

Never position yourself between skid steer and brush mulcher.

Only experienced and properly trained operator's should operate the skid steer and brush mulcher.

1. Read and follow all safety instructions.
2. Attach skid steer to mulcher. See skid steer Operator's Manual.
3. Verify pins are secure in the correct position.
4. Connect hydraulic hoses. Verify hydraulic hoses are clear of pinch areas and moving parts.
5. Move to a clear open area to test functions.

4.5 Detach Brush Mulcher

WARNING

Prevent serious injury or death caused by unexpected movement:

1. **Park skid steer on a level surface.**
2. **Engage skid steer park brake.**
3. **Disconnect hydraulic hoses.**
4. **Shut off engine and remove key.**

1. Park skid steer on a level surface.
2. Lower mulcher to the ground.
3. Shut off engine and remove key.
4. Disconnect hydraulic hoses.
5. Detach skid steer from mulcher. See skid steer Operator's Manual.

4.6 Transporting

1. Verify all reflectors and Slow Moving Vehicle (SMV) sign are visible.
2. Raise brush mulcher slightly off ground.
3. Verify hydraulics are disengaged.
4. Travel at a reasonable and safe speed.

WARNING

To prevent bodily injury from rotating cutting wheel, be sure to disengage hydraulics before transporting mulcher.

4.7 Carbide Teeth Break-In

During the first few hours of use, avoid hitting stones as much as possible to allow the carbide teeth to wear slightly.

This can be done by keeping the cutting wheel above ground level. Brand new carbide tips are razor sharp and can chip and shatter easily when they hit hard objects.

Once the razor sharpness has worn away, the tips do not chip as easily.

Observing these precautions will extend the life of the carbide teeth and reduce operating expenses.

4.8 First Time User Tips

1. First, operate all functions in a clear area with skid steer at idle speed to get a good feel for the controls before you actually move into any brush.
2. Choose low density brush and move into it slowly, do not expect to get the first area done fast.
3. Slow travel speed if pressure surges up close to max psi, doing this will greatly reduce rotor jams, and with practice, will almost eliminate jams.
4. Run throttle only at half speed for first time users.
5. Operate with mulcher slightly raised until you have a better feel how much the unit can take.

WARNING

Always turn off the skid steer and disengage hydraulic drive before getting off the seat and approaching the cutting wheel.

WARNING

Wear an approved respirator (N95 Type as a minimum).

Follow local, state and federal regulations.

The health effects from exposure to wood dust are due to chemicals in the wood or chemical substances in the wood created by bacteria, fungi, or molds.

4.9 Field Operation

WARNING

Prevent serious injury or death caused by unexpected movement:

1. Park skid steer on a level surface.
2. Engage skid steer park brake.
3. Disengage hydraulic drive.
4. Shut off engine and remove key.

WARNING

Never operate brush mulcher when other people are in the vicinity.

Do not allow riders on skid steer.

WARNING

Never operate brush mulcher when other people are in the vicinity. Debris can be thrown several feet from cutting area. Keep all shields in place.

WARNING

Clean machine thoroughly before service or maintenance procedures.

The health effects from exposure to wood dust are due to chemicals in the wood or chemical substances in the wood created by bacteria, fungi, or molds.

1. Attach brush mulcher to skid steer. See Attach Brush Mulcher in this section.

WARNING

Prevent serious injury or death.

Operating unit must be equipped with a forestry guard to protect the operator.

2. Lower mulcher so skid plates are on ground.
3. Set engine speed to low idle and engage mulcher.
4. Slowly increase engine speed to high idle. Verify mulcher is operating smoothly and start travel.
5. If mulcher stalls, stop movement, slightly raise mulcher and allow rotor to regain speed. Slow ground speed to prevent further stalling.

WARNING

Moving parts can crush and cut.

Keep clear of moving components.

Lockout operating unit before clearing jams.

WARNING

Never approach brush mulcher before cutting wheel has come to a complete stop.

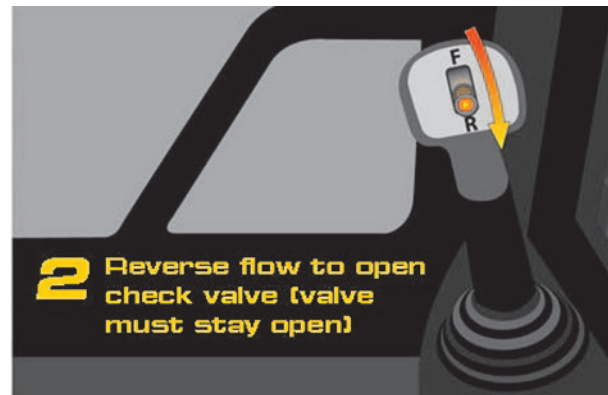
4.10 Clearing Jams

If the rotor stalls, stop rotor motion and raise slightly and try again.

1. If still stalled, lower unit so teeth tips dig slightly into sod.
2. Reverse hydraulic flow. A freewheeling check valve will let the pressure pass, but you still must do this to open the hydraulic lock on the rotor.
3. Back up skid steer and the branch will disengage.

WARNING

Always turn off the skid steer and disengage hydraulic drive before getting off the seat and approaching the cutting wheel.



5 SERVICE And MAINTENANCE

5.1 Maintenance

Maintenance Chart		
General Inspection	Inspect the unit for any buildup of contamination (dirt, stones, etc.).	Daily
Cutting Teeth	Check and rotate or replace one at a time as necessary. With daily use expect to replace 4 to 6 teeth per day. (See Replace Cutting Tooth in this section.)	Every 4 hours.

5.2 Inspections

WARNING

Prevent serious injury or death caused by unexpected movement:

1. Park skid steer on a level surface.
2. Engage skid steer park brake.
3. Disengage hydraulic drive.
4. Shut off engine and remove key.

WARNING

Clean machine thoroughly before service or maintenance procedures.

The health effects from exposure to wood dust are due to chemicals in the wood or chemical substances in the wood created by bacteria, fungi, or molds.

Inspect the unit for any buildup of contamination (dirt, stones, etc.).

Check cutting teeth every 4 hours of use. Keep cutting teeth in good condition. Unit will cut faster and remaining teeth will last longer if broken teeth are replaced.

5.3 Check Belt Tension

1. Lower mulcher to ground.
2. Set parking brake, stop engine and remove key.

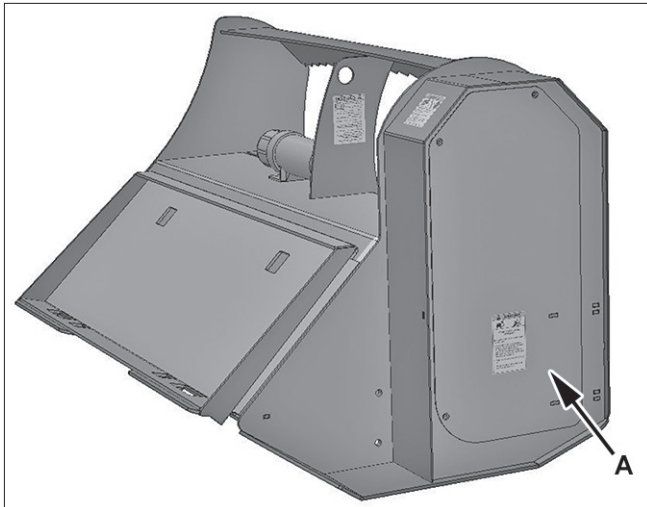
⚠ WARNING

Moving parts can crush and cut.

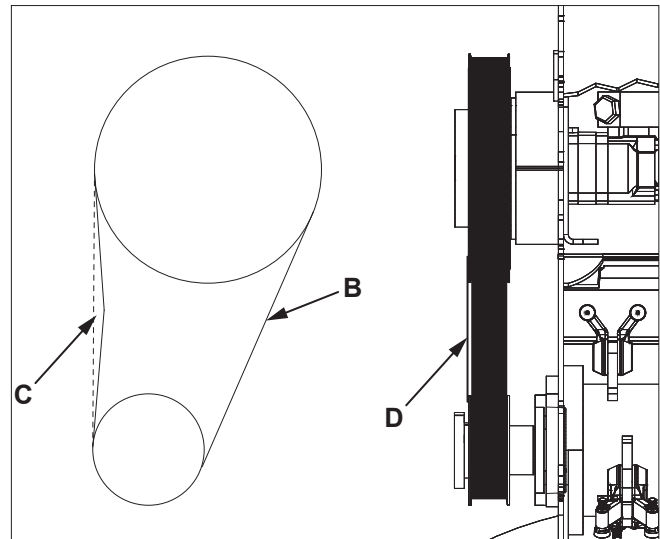
Keep clear of moving components.

Follow lockout procedure before servicing.

3. Open inspection cover (A).



4. Inspect belt (B) for wear, damage, alignment and proper tension.
5. Loosen hydraulic motor mounting bracket and adjust tension bolts to set belt tension. Tighten motor mounting bracket.
6. Belt deflection (C) should be 0.5 in. (13 mm) at 3.0 lbs of force for a used belt or 4.25 lbs of force for a new belt.
7. Place a straight edge (D) on motor pulley and rotor pulley. Pulleys must be aligned or belt will wear quickly. Adjust pulleys if necessary.



8. Close inspection cover (A). Do not operate mulcher with inspection cover (A) open or removed.

5.4 Replace Belt

1. Lower mulcher to ground.
2. Set parking brake, stop engine and remove key.

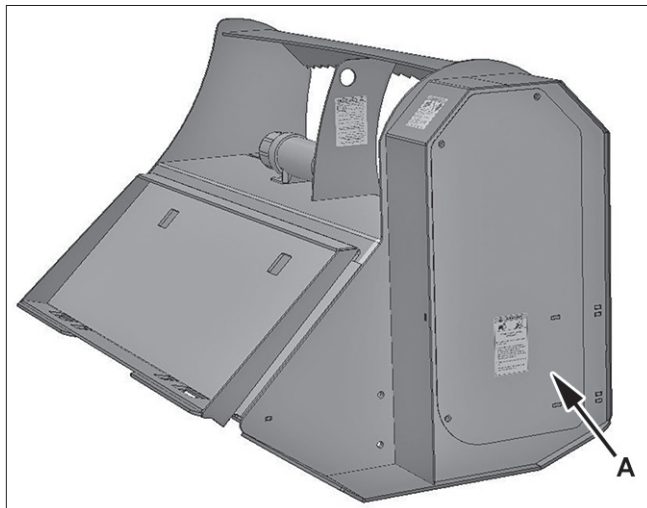
⚠ WARNING

Moving parts can crush and cut.

Keep clear of moving components.

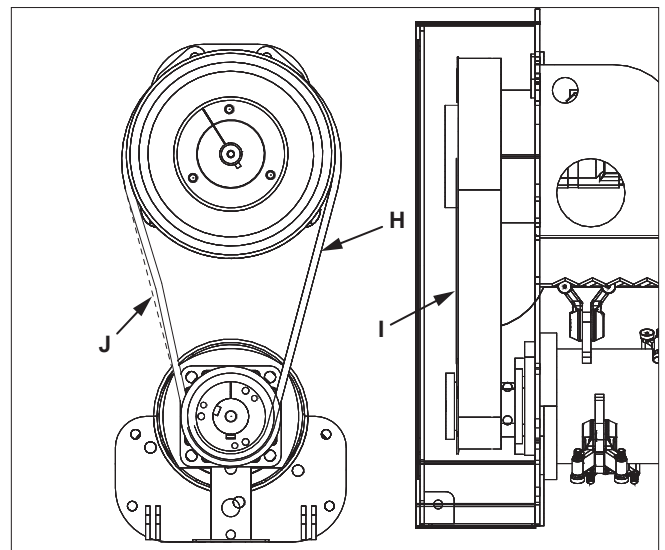
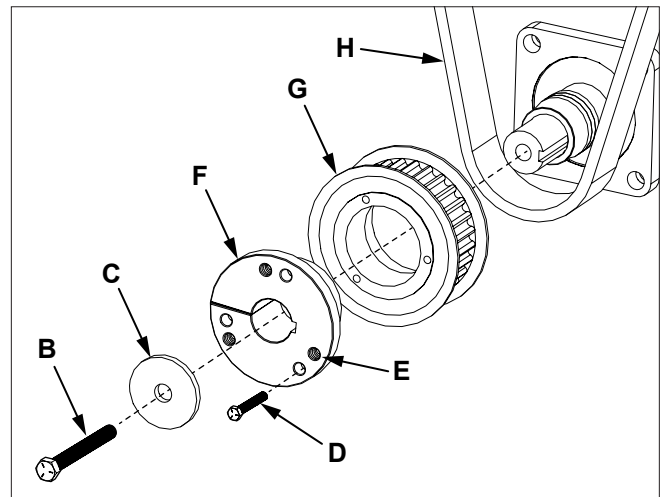
Follow lockout procedure before servicing.

3. Open inspection cover (A).



4. Loosen hydraulic motor mounting bracket.
5. Remove shaft pulley bolt (B) and washer (C).
6. Remove three hub bolts (D). Place hub bolts into threaded holes (E) in hub (F).
7. Evenly tighten bolts to push pulley (G) off of hub (F).
8. Remove hub (F), pulley (G) and belt (H). It may be necessary to lightly tap hub if hub stuck to shaft.
9. Install belt, pulley and hub onto shaft.
10. Install washer (C) and shaft bolt (B). Tighten bolt.

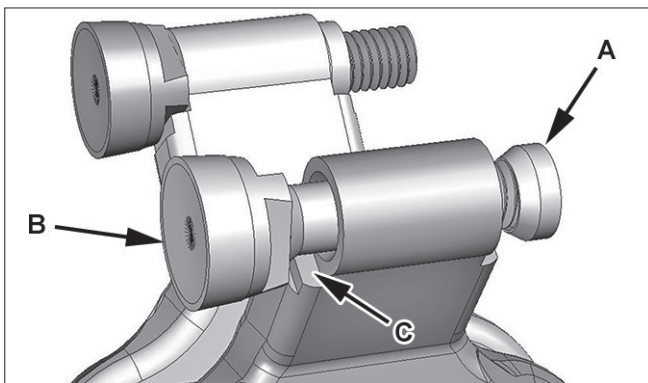
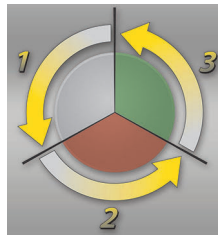
11. Align pulley holes with non threaded holes in hub (F) and install bolts (D).
12. Place a straight edge (I) on drive pulley and rotor pulley. Pulleys must be aligned or belt will wear quickly. Adjust pulley alignment as necessary and tighten bolts (D).
13. Belt deflection (J) should be 0.5 in. (13 mm) at 4.25 lbs of force.
14. Adjust tension and tighten motor mounting bracket.
15. Close inspection cover (A). Do not operate mulcher with cover (A) open or removed.



5.5 Rotate Cutting Teeth

Each tooth can be rotated up to two times before replacement is necessary.

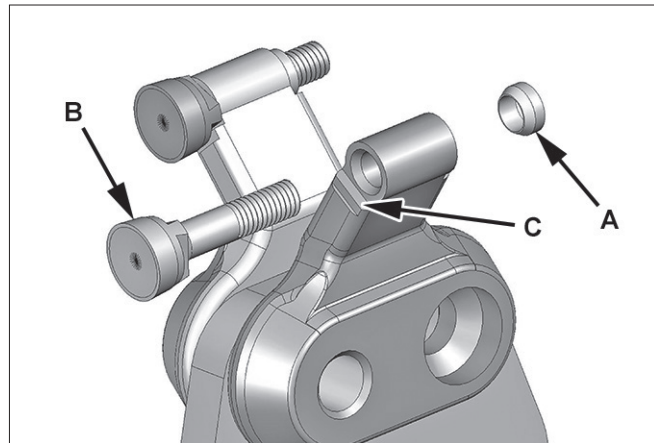
1. Park skid steer and mulcher on a level surface.
2. Lower mulcher to the ground.
3. Shut off engine and remove key.
4. Inspect teeth for wear on top edge. Once top edge is worn, rotate tooth so a new edge is on top (cutting) edge.
5. Loosen $\frac{3}{8}$ inch locknut and spacer (A) on tooth (B). Rotate tooth $\frac{1}{3}$ turn. Flat shoulder on tooth will fit against shoulder (C) on tooth holder.
6. Tighten $\frac{3}{8}$ inch locknut to 65 lb/ft (88 Nm) of torque.



Note: Parts breakdown can be found on Baumalight's website. www.baumalight.com

5.6 Replace Cutting Teeth

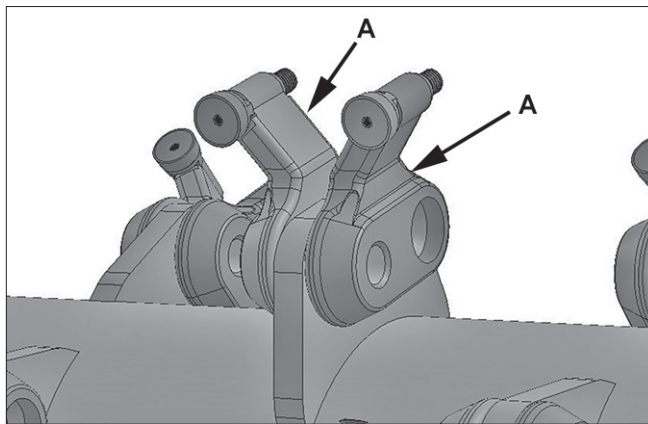
1. Park skid steer and mulcher on a level surface.
2. Lower mulcher to the ground.
3. Shut off engine and remove key.
4. Inspect cutting teeth (B) for damage and wear. Replace individual teeth as needed.
5. Remove $\frac{3}{8}$ inch locknut and spacer (A) on tooth (B). Install new tooth. Flat shoulder on tooth will fit against shoulder (C) on tooth holder.
6. Install tooth and spacer (A). Tighten $\frac{3}{8}$ inch locknut to 65 lb/ft (88 Nm) of torque.



Note: Parts breakdown can be found on Baumalight's website. www.baumalight.com

5.7 Replace Tooth Holder

1. Park skid steer and mulcher on a level surface.
2. Lower mulcher to the ground.
3. Shut off engine and remove key.
4. Inspect tooth holders (A) for damage and wear. Replace individual tooth holders as needed.
5. Remove tooth from tooth holder.
6. Remove mounting hardware on tooth holders (A). Install new tooth holder, install and tighten mounting hardware.
7. Install tooth into new tooth holder. Tighten $\frac{3}{8}$ inch locknut to 65 lb/ft (88 Nm) of torque.

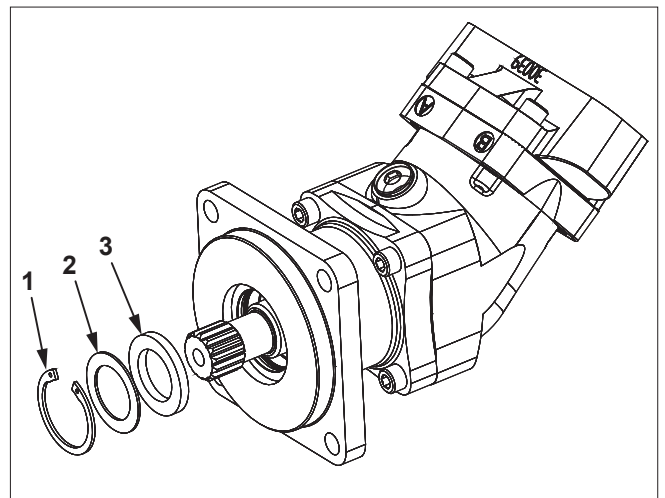


Note: Parts breakdown can be found on Baumalight's website. www.baumalight.com

5.8 Motor Shaft Seal

To prevent hydraulic motor damage, the motor shaft seal is designed to fail if case pressure exceeds 100 psi (689 kPa).

If motor shaft seal (A) has failed, verify case drain line is free flow to sump or reservoir. Also check drain line for blockage. Correct any problems before replacing shaft seal.



Order replacement seal kit from Baumalight and follow instructions provided with kit.

Motor Shaft Seal Replacement manual can be found at www.baumalight.com/support

Note: Parts breakdown can be found on Baumalight's website. www.baumalight.com

6 TROUBLESHOOTING

PROBLEM	CHECK	SOLUTION
Rotor does not spin.	Rotor jammed.	Remove material from rotor. See Clearing Jams.
	Low oil level.	Check oil level in skid steer. Add if necessary.
	Low oil flow.	Check flow control on skid steer. See your dealer.
Rotor rotates slow or sluggish.	Low oil.	Check oil level in skid steer. Add if necessary.
	Oil filter plugged.	Replace skid steer oil filter.
	Relief valve not set properly.	Set relief pressure 2500 - 3500 psi.
	Low oil flow.	Check flow control on skid steer. See your dealer.
	Drive belt loose.	Tighten drive belt.
Excessive vibration.	Cutting teeth worn or missing.	Replace worn, broken or missing teeth.
	Debris lodged in rotor.	Remove debris.

7 STORAGE

7.1 Storing Mulcher

1. Store mulcher in a dry place.
2. Clean mulcher thoroughly. Dirt and wood chips will draw moisture and cause rust.
3. Check condition of cutting teeth. Replace as necessary. (See Service and Maintenance section.)
4. Check for loose or missing hardware.
5. Paint parts as necessary.

7.2 Removing Mulcher From Storage

1. Review Operator's manual and check adjustments.
2. If parts have been replaced, verify they run properly.

8 WARRANTY

This product is warranted to be free of defects in materials and workmanship under normal use and service, for a period of one year from the date of purchase, when operated and maintained in accordance with the Operating and Maintenance Instructions supplied with this unit. This warranty does not cover misuse or negligence.

Under no circumstances will the manufacturer be liable for any consequential damage or expense of any kind, including loss of profits. The manufacturer is under no circumstances liable for skid steer damage of any kind. The manufacturer is not liable for the maintenance of the product.

This warranty is extended only to the original purchaser. Warranty is void if repairs are attempted by anyone other than an Authorized Service Center.

If a difficulty develops with the product, you should contact your nearest Authorized Repair Center, or distributor. Only these locations are authorized to make repairs to the product or affect the replacement of defective parts, which will be done at no charge within a reasonable time after the receipt of the product. Units or parts should be returned at the customer's expense to the nearest repair location or Authorized Service Center. Pack unit in a strong carton and pad tightly to avoid damage. Damage in-transit is not covered by warranty. Include original purchase receipt with any claim (keeping a copy for your files).

The Manufacturer's Liability is limited to repair of the product and/or replacement of parts and is given to the purchaser in lieu of all other remedies including incidental and consequential charges. There are no warranties, expressed or implied other than those specified herein. For the nearest Authorized Service Center call the manufacturer.

Please note the following details and file this information in an appropriate place.

Model Number: _____ S/N: _____

Date of Purchase: _____ Owner's Name _____

For parts, specifications and the latest machine information please visit our website.

www.baumalight.com

MTB MFG INC.
CORPORATE HEADQUARTERS
4575 Powell Rd.,
Wallenstein, Ontario Canada
N0B 2S0
Phone - 519.698.9864
Toll Free - 866.820.7603
Fax - 519.698.1087
www.baumalight.com

